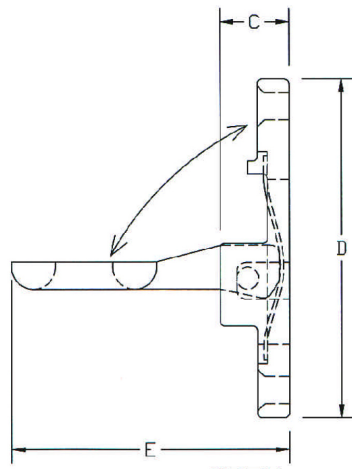
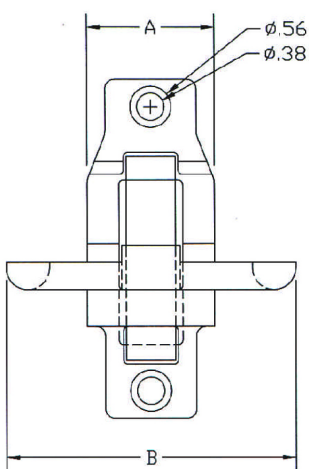
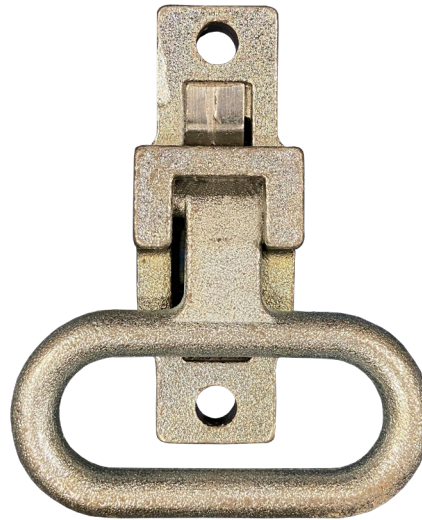
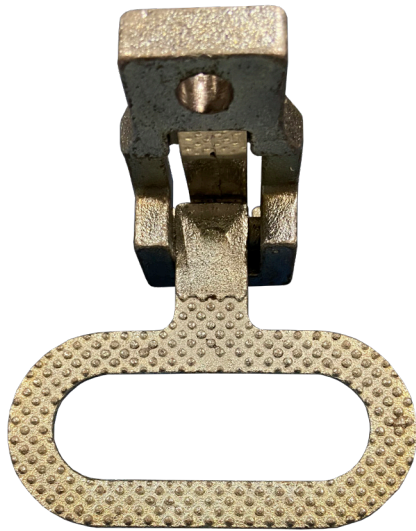


Folding Step (Small)



This item can be used to access a container roof

OPEN

CLOSED

Application

110220-R00

PRODUCT FEATURES

SPECIFICATIONS

- Forged steel
- Finish zinc
- Tare weight 1 lbs / .45 kg

STANDARD FEATURES

- Spring hold assists in open or closed position without rattle
- Heavy-duty grip
- 1" projection when closed
- 4" projection when open

ISO 9001



CERTIFIED QUALITY MANAGEMENT SYSTEM

DIMENSIONAL INFORMATION

	A	B	C	D	E
Inches	1.75"	4"	0.95"	3.88"	3.83"
Metric	44.5	102	24	99	97

ALL DIMENSIONS AND WEIGHTS ARE NOMINAL AND SUBJECT TO MINOR VARIATIONS THAT MAY OCCUR DURING THE MANUFACTURING PROCESS