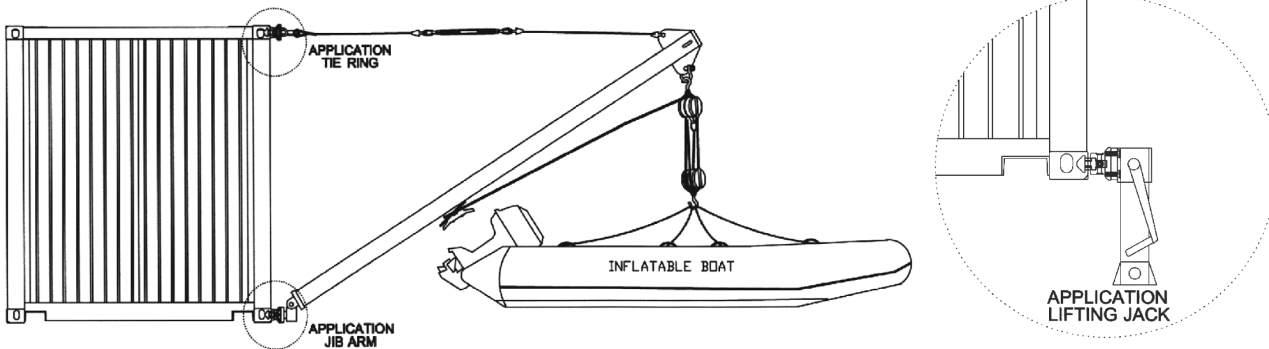
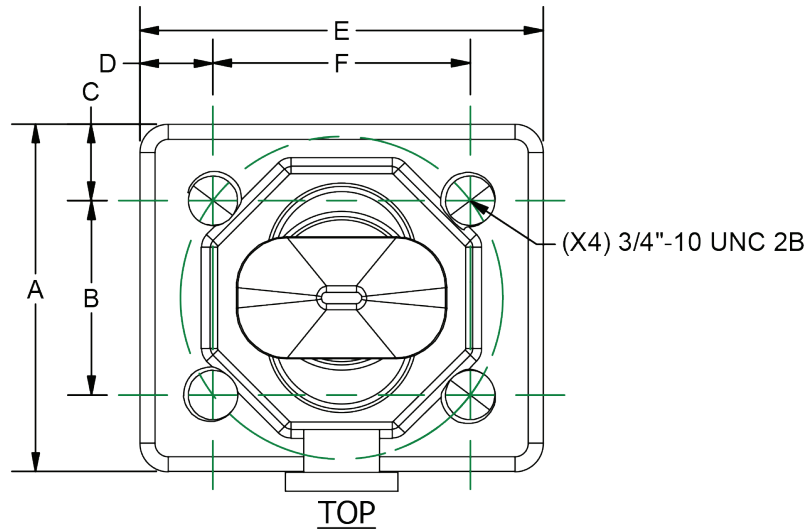


Horizontal Twistlock with Adapter Plate



PRODUCT SPECIFICATIONS

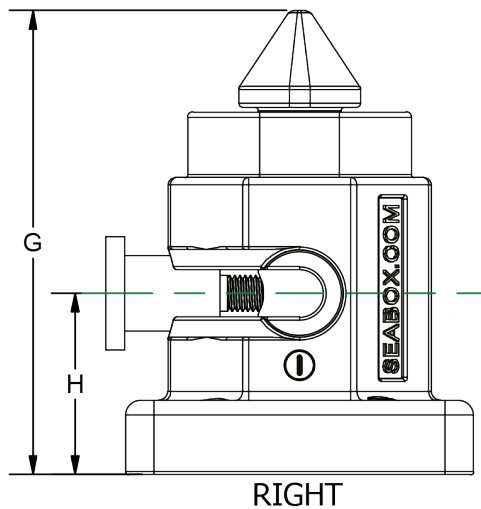
- Material Forged Steel
- Finish Zinc plated
- Capacity safe working load 12 ton tension
- Rated capacity tension 24 tons
- Rated capacity shear 34 tons
- Rated capacity compression 20.8 tons
- Tare weight 14 lbs, 6.35 kg
- (4) 3/4-10UNC tapped holes on the plate

STANDARD FEATURES

- Compatible with all ISO type containers

OPTIONAL FEATURES

- (4) 3/4-10UNC stainless steel bolts



DIMENSIONAL INFORMATION

	A	B	C	D	E	F	G	H
Inches	4.61	2.85	1.01	0.97	5.55	3.42	6.15	2.4
Metric	117	65.5	25.8	24.6	136	86.8	156.2	61

ALL DIMENSIONS AND WEIGHTS ARE NOMINAL AND SUBJECT TO MINOR VARIATIONS THAT MAY OCCUR DURING THE MANUFACTURING PROCESS

030824-R00

ISO 9001



CERTIFIED QUALITY MANAGEMENT SYSTEM