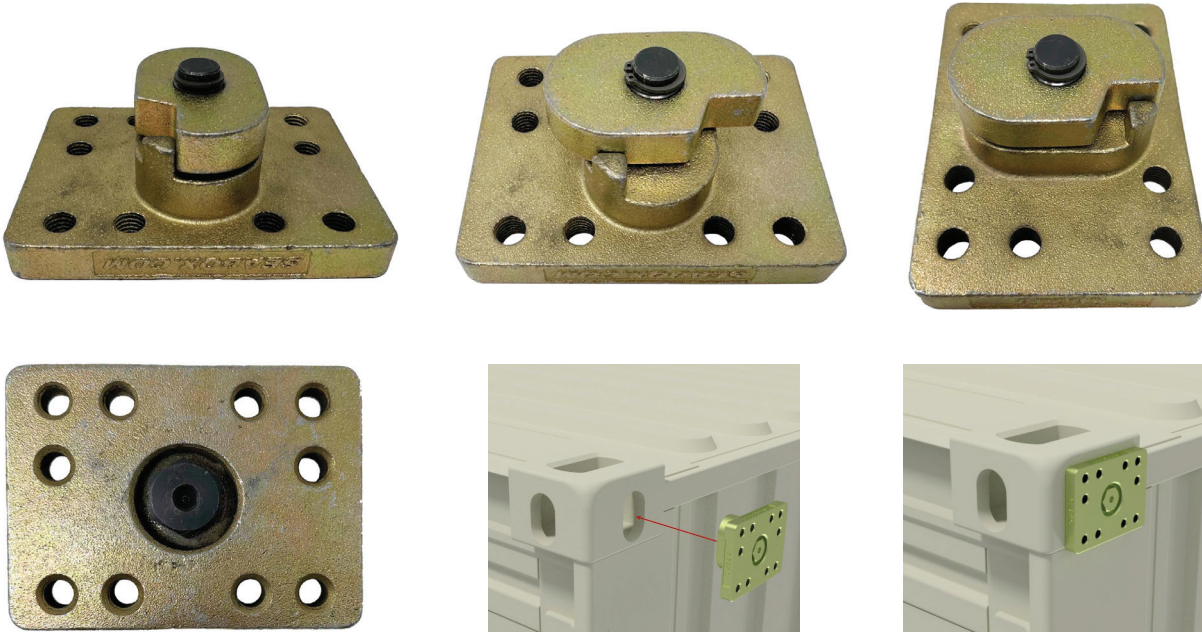
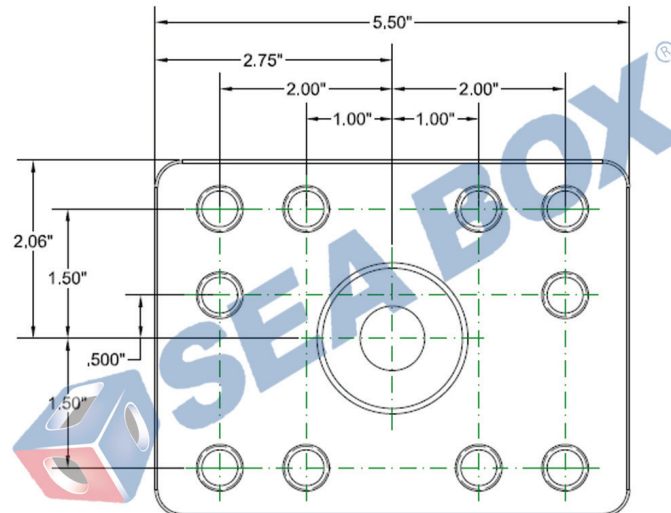


## Side Mount Twistlock



### PRODUCT SPECIFICATIONS

- Material: Cast Steel (Yield = 60KSI)
- Finish: Zinc Yellow Chromate
- Capacity safe working load 3 Ton tension
- Braking capacity tension 5.5 tons
- Rated capacity shear 17 tons
- Tare weight 6 lbs, 2.72 kg
- (10) 1/2-13 UNC tapped holes on the plate



### STANDARD FEATURES

- Compatible with all ISO type containers

\* This product is not rated for lifting overhead.  
 \*\* This product has not be rated in bending

	TALL	WIDE	OVERALL THICKNESS	PLATE THICKNESS
Inches	4.12	5.5	2.75	.625
Metric	53.8	140	70	16

ALL DIMENSIONS AND WEIGHTS ARE NOMINAL AND SUBJECT TO MINOR VARIATIONS THAT MAY OCCUR DURING THE MANUFACTURING PROCESS

