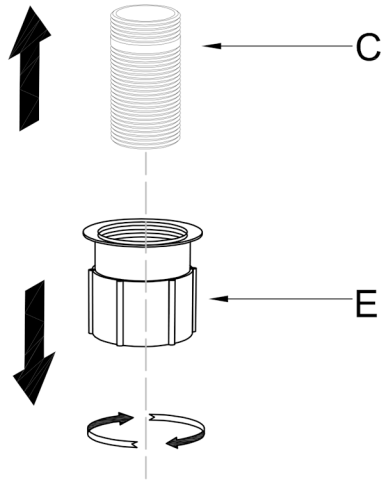


## Step 1. Remove mounting hardware

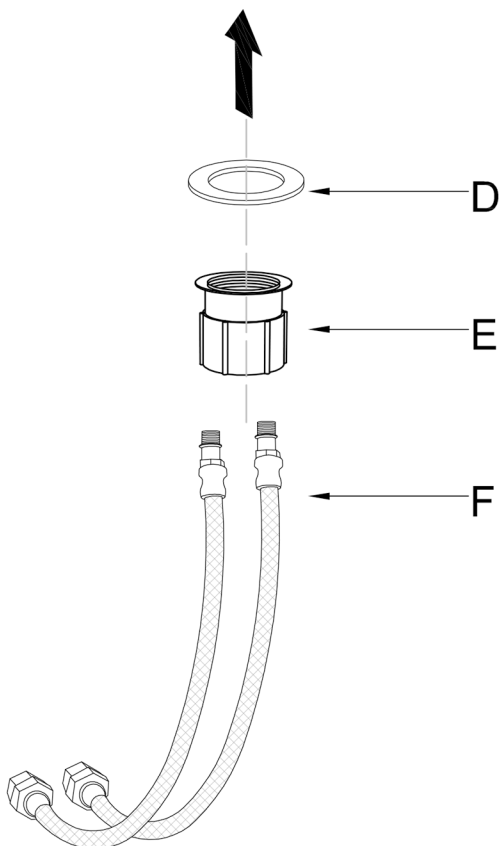
---



Shut off the water supply. Remove the old faucet. Clean the mounting surface. Remove mounting hardware (E) from threaded metal pipe(C).

## Step 2. Installing the hot and cold water pipes

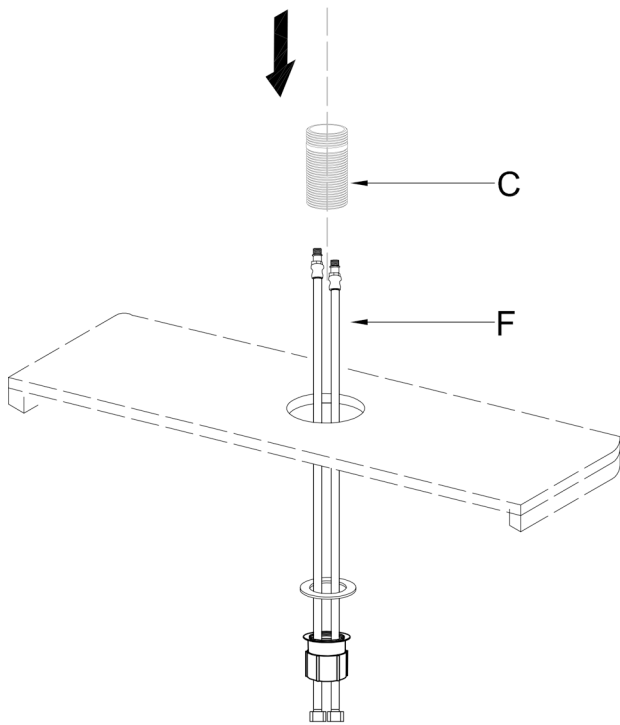
---



Install the hot and cold water pipes (F) through the mounting hardware (E&D) and screw in tightly.

### Step 3. Install the hot and cold water pipes

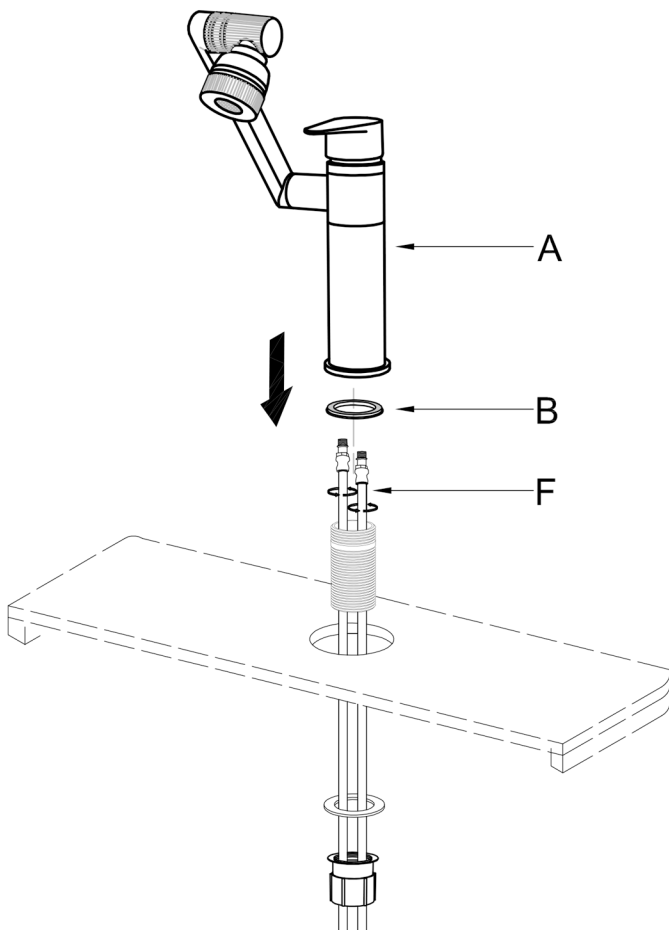
---



Swivel the hot and cold water pipes (F) through threaded metal pipe (C) into the faucet body.

### Step 4. Install faucet body to countertop

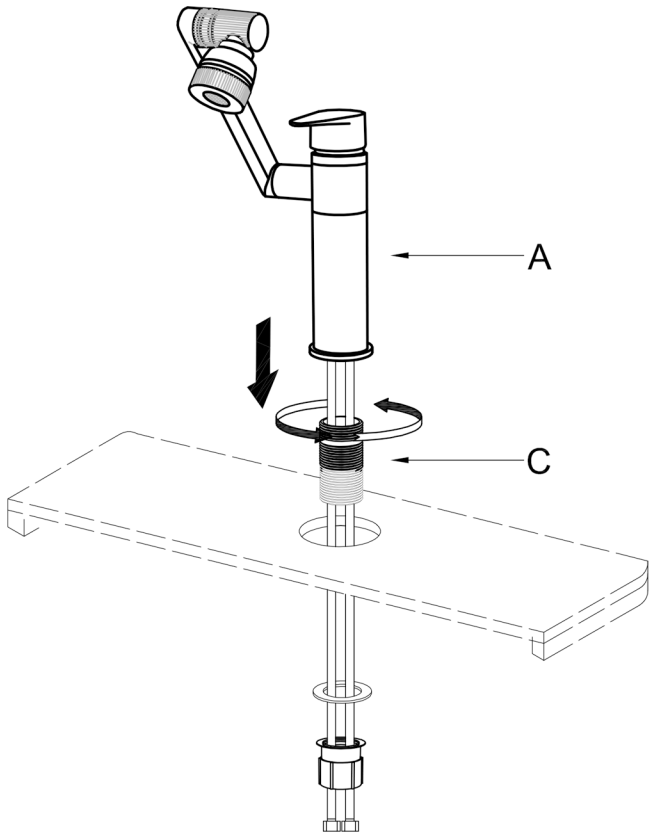
---



Insert faucet body (A) through the hole in the sink or the countertop.

### Step 5. Install mounting hardware

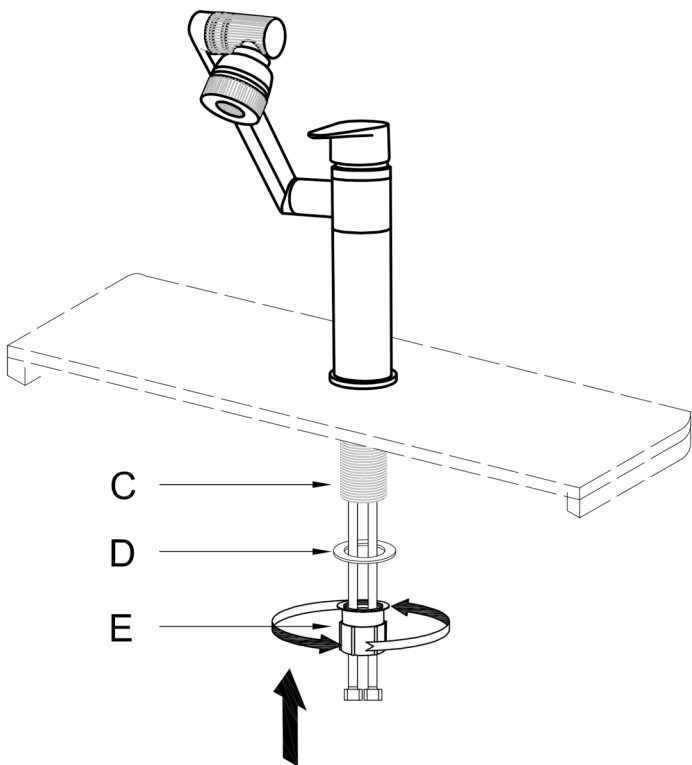
---



Pass the rubber gasket, metal gasket and mounting hardware through the metal pipe in turn and tighten them.

### Step 6. Install mounting hardware

---

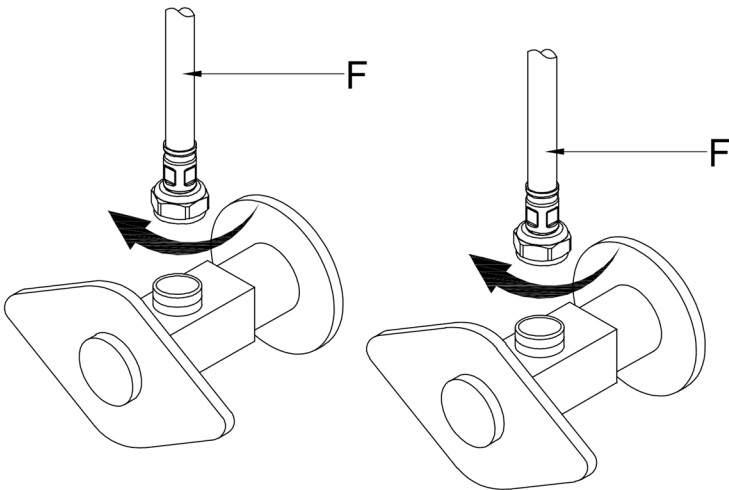


Install the mounting hardwares in sequence.  
Do not overtighten.

## Step 7. Making the waterline connections

---

Thread the nut on the supply line onto the outlet of the water supply valve and tighten with a wrench. Do not overtighten.



## Step 8. Turn the faucet on and check for leaks

---

Turn on angle stops, turn the faucet on and check for leaks.

(DO NOT TURN FAUCET ON BEFORE THE INSTALLATION IS COMPLETE)

