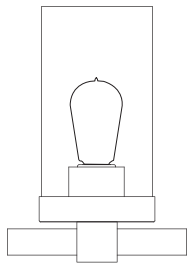


ULTRALUX® LIGHTING



ULTRALUX® LIGHTING Rustic Vanity Light

INSTALLATION INSTRUCTIONS

1-800-316-2532

www.ultraluxled.com

PN: UL-LED-RWVLO1-XXXX

**Thank you for purchasing ULTRALUX®
LIGHTING Fixtures!**

TROUBLESHOOTING:

- Check that line voltage at fixture is correct.
- Ensure that there is voltage at lamp fixture wires.
- If there is no voltage, then check all connections.
- Check that fixture is grounded properly.

If fixture does not light:

- Check switch to ensure that there are no defects.
- Check fuse/circuit breaker for trips, then check wiring connections.

CLEANING AND MAINTENANCE:

WARNING: Always be certain that electric current is turned off before cleaning.

• Only a soft damp cloth should be used. Harsh cleaning products may damage the finish.

CAUTION: Ensure fixture temperature is cool enough to touch. **DO NOT** clean or perform maintenance while fixture is energized.

- Clean lens and Suite with non-abrasive cleaning solution.
- Do not open fixture to clean LED. Do not touch the LED.
- Do not spray liquid directly on to LED, LED driver or wiring.

Please read carefully before installing fixture.

Save these instructions, as you may need them at a later date.

Please follow the following steps for installation. →

WARNINGS:



Turn power off before installation, inspection, or removal. Use all necessary precautions while performing this procedure.



Consult a qualified electrician to ensure correct branch circuit conductor. Min 90°C supply conductors.



Properly ground electrical enclosure. IT IS IMPERATIVE THAT THE JUNCTION BOX BE PROPERLY GROUNDED.



DO NOT REVERSE THE HOT AND NEUTRAL CONNECTIONS, OTHERWISE SAFETY WILL BE COMPROMISED.



This Integrated LED Fixture has no lamp/bulb to replace.



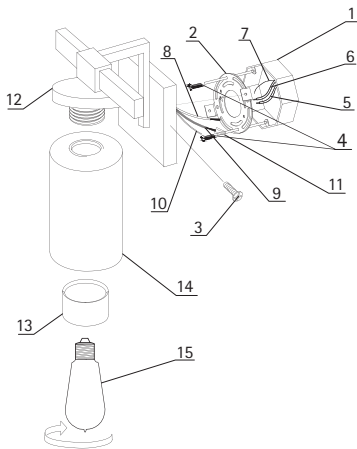
Do not remove or touch the inside of plastic lens covering the LED board.

GENERAL: All electrical connections must be in accordance with local and National Electrical Code (N.E.C.) standards. If you are unfamiliar with proper electrical wiring connections, contact and obtain the services of a qualified electrician. Use UL or IEC approved wire only for input/output connections.

Remove fixture and mounting components from the box, and make sure that no parts are missing by referencing the illustration in the installation instructions.

DIMMING: This product is compatible with most common residential type dimmers. Dimming performance will depend upon dimmer, dimmer settings (dimmers with adjustments to brightness range), wiring method, and number of LED modules. For best results, set dimmer position at maximum before adjusting to a lower light level.

Figure 1



1. JUNCTION BOX (NOT INCLUDED)
2. MOUNTING BRACKET
3. FIXTURE SCREWS (x2)
4. MOUNTING SCREWS (x2)
5. WHITE SUPPLY WIRE
6. BLACK SUPPLY WIRE
7. SUPPLY GROUND WIRE
8. WHITE FIXTURE WIRE
9. BLACK FIXTURE WIRE
10. FIXTURE GROUND WIRE
11. WIRE NUT (x3)
12. CANOPY
13. SOCKET RING
14. GLASS CYLINDER
15. ST19 BULB

1

SHUT OFF MAIN ELECTRICAL SUPPLY FROM THE MAIN FUSE BOX/CIRCUIT BREAKER!

2

Remove contents from box. Ensure that no parts are missing. Reference the illustration included with this instruction manual.

3

Pull the SUPPLY WIRES (5 & 6) and the SUPPLY GROUND WIRE (7), out from the JUNCTION BOX (1).

4

*NOTE: MOUNTING BRACKET (2) comes assembled in fixture, for easy install remove from inside CANOPY (12) and follow Fig.1 illustration. Place the MOUNTING BRACKET (2) over the JUNCTION BOX (1) and align the slots of the bracket with the screw holes in the junction box. Slide the MOUNTING SCREWS (4) through the holes of the MOUNTING BRACKET (2) and thread into the appropriate holes of the JUNCTION BOX (1). Then, fasten MOUNTING SCREWS (4) tightly.

5

Make the following wire connections (Fig.1) using WIRE NUTS (11):
WHITE (NEUTRAL/Common) SUPPLY WIRE (5) TO WHITE FIXTURE WIRE (8)
BLACK (LINE) SUPPLY WIRE (6) TO BLACK FIXTURE WIRE (9)
SUPPLY GROUND WIRE (7) TO FIXTURE GROUND WIRE (10)

**If necessary, wrap all wire connections in electrical tape to ensure a secure connection.*

6

Carefully tuck all wiring back into the JUNCTION BOX (1).

7

Align the screw holes of the CANOPY (12) to the holes in the MOUNTING BRACKET (2).

8

Attach the CANOPY (12) to the MOUNTING BRACKET (2) by feeding the FIXTURE SCREWS (3) through the holes on the side of the fixture and into the holes of the bracket. Then, fasten FIXTURE SCREWS (3) tightly.

9

Slip the GLASS CYLINDER (14) onto the fixture and use the SOCKET RING (13) to secure the CYLINDER (14) in place. Screw on SOCKET RING (13) by rotating until secure. Install ST19 BULB (15) by rotating clockwise until snug in the socket.

10

Restore power at fuse box/circuit breaker. Check operation of LED Fixture.

11

Installation complete.

5-YEAR LIMITED WARRANTY

LIMITED WARRANTY: This fixture is warranted to be free from defects in workmanship and material for up to 5-years. Based upon reasonable household usage, when used in accordance with package and included instructions. If this fixture does not last for the time period guaranteed, manufacturer will send you a replacement fixture upon receipt of the returned fixture, register receipt, and proof of purchase. To contact us, please email us at returns@ultraluxled.com or call us at 1-800-316-2532 to find out how to return the fixture. We are committed to making high quality products. Returning the fixture will help us monitor and further improve product quality. This replacement is the sole remedy available, and LIABILITY FOR INCIDENTAL OR CONSEQUENTIAL DAMAGES IS HEREBY EXPRESSLY EXCLUDED.

This device complies with Part 15 of the FCC Rules and has been tested and found to comply with the limits for Class B digital device. Operation is subject to the following two conditions: (1) this device may not cause harmful interference, and (2) this device must accept any interference received, including interference that may cause undesired operation. Any changes or modifications not expressly approved by manufacturer could void user's authority to operate the equipment.

Toll Free: 1-800-316-2532
www.ultraluxled.com

ULTRALUX®
LIGHTING