

ULTRALUX® LIGHTING

PN: UL-LED-MEVL20-XX30

**Thank you for purchasing ULTRALUX®
LIGHTING Fixtures!**

TROUBLESHOOTING:

- Check that line voltage at fixture is correct.
- Ensure that there is voltage at lamp fixture wires. If there is no voltage, then check all connections.
- Check that fixture is grounded properly.

If fixture does not light:

- Check switch to ensure that there are no defects.
- Check fuse/circuit breaker for trips, then check wiring connections.

CLEANING AND MAINTENANCE:

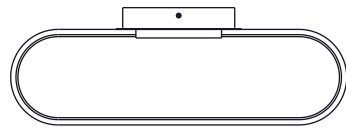
CAUTION: Ensure fixture temperature is cool enough to touch. DO NOT clean or perform maintenance while fixture is energized.

- Clean lens and Suite with non-abrasive cleaning solution.
- Do not open fixture to clean LED. Do not touch the LED.
- Do not spray liquid directly on to LED, LED driver or wiring.

Please read carefully before installing fixture.

Save these instructions, as you may need them at a later date.

Please follow the following steps for installation. →



**ULTRALUX® LIGHTING
MODERN LED EDGELIT
VANITY LIGHT**

INSTALLATION INSTRUCTIONS

1-800-316-2532

www.ultraluxled.com

WARNINGS:



Turn power off before installation, inspection, or removal. Use all necessary precautions while performing this procedure.



Consult a qualified electrician to ensure correct branch circuit conductor. Min 90°C supply conductors.



Properly ground electrical enclosure. IT IS IMPERATIVE THAT THE OUTLET BOX BE PROPERLY GROUNDED.



DO NOT REVERSE THE HOT AND NEUTRAL CONNECTIONS, OTHERWISE SAFETY WILL BE COMPROMISED.

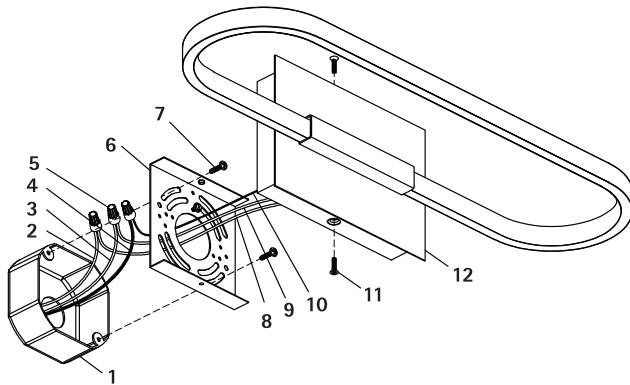


This Integrated LED Fixture™ has no lamp/bulb to replace.

GENERAL: All electrical connections must be in accordance with local and National Electrical Code (N.E.C.) standards. If you are unfamiliar with proper electrical wiring connections, contact and obtain the services of a qualified electrician. Use UL or IEC approved wire only for input/output connections.

Remove fixture and mounting components from the box, and make sure that no parts are missing by referencing the illustration in the installation instructions.

Figure 1



- | | |
|--------------------------------|------------------------|
| 1. JUNCTION BOX (NOT INCLUDED) | 7. MOUNTING SCREWS (2) |
| 2. SUPPLY GROUND WIRE | 8. FIXTURE GROUND WIRE |
| 3. WHITE SUPPLY WIRE | 9. WHITE FIXTURE WIRE |
| 4. BLACK SUPPLY WIRE | 10. BLACK FIXTURE WIRE |
| 5. WIRE NUTS (3) | 11. FIXTURE SCREWS (2) |
| 6. MOUNTING BRACKET | 12. FIXTURE BACK PLATE |

1

SHUT OFF MAIN ELECTRICAL SUPPLY FROM THE MAIN FUSE BOX/CIRCUIT BREAKER!

2

Remove contents from box. Ensure that no parts are missing. Reference the illustration included with this instruction manual.

3

Locate the BLACK AND WHITE SUPPLY WIRES (3 & 4) and the SUPPLY GROUND WIRE (2), and pull them from the JUNCTION BOX (1).

4

Loosen both FIXTURE SCREWS (11) located on the top and bottom of the FIXTURE BACK PLATE (12), then slide and pull the MOUNTING BRACKET (6) out from the FIXTURE BACK PLATE (12).

Set MOUNTING SCREWS aside until Step 8.

5

Attach the MOUNTING BRACKET (6) to the JUNCTION BOX (1).

Use the slotted holes on the MOUNTING BRACKET (6) and the provided MOUNTING SCREWS (7).

6

Make the following wire connections (Fig.1), using WIRE NUTS (5):
WHITE (NEUTRAL/COMMON) SUPPLY WIRE (3) TO WHITE FIXTURE WIRE (9)
BLACK (LINE) SUPPLY WIRE (4) TO BLACK FIXTURE WIRE (10)
SUPPLY GROUND WIRE (2) TO FIXTURE GROUND WIRE (8)

If necessary, wrap all wire connections in electrical tape to ensure a secure connection.

7

Carefully tuck all wiring back into the JUNCTION BOX (1).

8

Slide the FIXTURE BACK PLATE (12) back onto the MOUNTING BRACKET (6). Secure in place by tightening both FIXTURE SCREWS (11).

9

Restore power at fuse box/circuit breaker. Check operation of Integrated LED Fixture.

10

Installation complete.

5-YEAR LIMITED WARRANTY

LIMITED WARRANTY: This fixture is warranted to be free from defects in workmanship and material for up to 5-years. Based upon reasonable household usage, when used in accordance with package and included instructions. If this fixture does not last for the time period guaranteed, manufacturer will send you a replacement fixture upon receipt of the returned fixture, register receipt, and proof of purchase. To contact us, please email us at returns@ultraluxled.com or call us at 1-800-316-2532 to find out how to return the fixture. We are committed to making high quality products. Returning the fixture will help us monitor and further improve product quality. This replacement is the sole remedy available, and LIABILITY FOR INCIDENTAL OR CONSEQUENTIAL DAMAGES IS HEREBY EXPRESSLY EXCLUDED.

This device complies with Part 15 of the FCC Rules and has been tested and found to comply with the limits for Class B digital device. Operation is subject to the following two conditions: (1) this device may not cause harmful interference, and (2) this device must accept any interference received, including interference that may cause undesired operation. Any changes or modifications not expressly approved by manufacturer could void user's authority to operate the equipment.

Toll Free: 1-800-316-2532
www.ultraluxled.com

**ULTRALUX®
LIGHTING**

© 2021 ULTRALUX® LIGHTING is a registered trademark of Superior Ventures LLC. All rights reserved.