

LED LIGHT PANELS

with backlit technology



CLEANLIFE®

LED LIGHT PANEL

WITH BACKLIT TECHNOLOGY



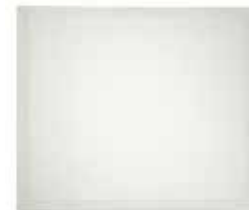
The ultimate commercial lighting solution

CLEANLIFE® LED backlit panel technology eliminates the need for an acrylic light guide plate resulting in significantly increased performance and more competitive pricing. Our diffuser contains UV-inhibitors providing great value while ensuring no yellowing of the lens. CLEANLIFE® Backlit LED Panels are commercial luminaires utilizing an advanced LED optical system to achieve superior performance. It provides high uniformity, excellent efficiency and reduced glare in T-grid ceiling applications as well as surface mount and pendant installations.



THE CLEANLIFE® ADVANTAGE

- ✓ 1. Latest Backlit Technology
- ✓ 2. Energy Saving, Mercury Free
- ✓ 3. ETL-Listed & DLC Certified
- ✓ 4. High Reliability, 5-Year Warranty
- ✓ 5. TrueColor®, High Color Rendering
- ✓ 6. Standard 3500K, 4000K & 5000K CCT's
- ✓ 7. Standard Sizes Include 2x2, 1x4 & 2x4
- ✓ 8. Recessed, Suspended or Surface Mount
- ✓ 9. TRIAC Dimmable or 0~10V Dimmable
- ✓ 10. Emergency Backup Options Available
- ✓ 11. Driver has Integral J-box and Push-in Connectors for Easy Installation
- ✓ 12. Includes T-grid Clips for Additional Safety



2x2



1x4



2x4



Ultra Bright



Anti-Glare



Flicker Free



Energy Saving



Robust Design

MOUNTING OPTIONS



SURFACE MOUNT



RECESS MOUNT



SUSPEND MOUNT



CLEANLIFE ENERGY LLC | 2400 Superior Avenue Suite 207 Cleveland, OH 44114
Due to our continued efforts to improve our products, product specifications are subject to change without notice.
© 2019 CLEANLIFE® LED, All Rights Reserved | For more information visit our website: www.cleanlifeled.com



CERTIFICATIONS

BUILD YOUR ORDER SKU NUMBER

Sample **CL-22-U-P-40W-40K-80-D**

Create your customized product by building your model number. Select your size, input wattage, DLC version, system wattage, CCT of choice. Next, CRI, the dimming and/or option. An example of a completed custom sku number is provided above:

Model	Size	Input Voltage	DLC	Wattage	CCT	CRI	Options	Weight	Lumens	LPW
CL										
DLC PREMIUM										
CL=CLEANLIFE	22 = 2x2	U = 120-277V H = 120-347 I = 120V	P = PREMIUM	20W	35K = 3500K 40K = 4000K 50K = 5000K	80	T = TRIAC DIMMING D = 0-10V DIMMING E = 0-10V DIMMING WITH EMERGENCY BACKUP	4.41 lbs	2600	130+
				25W				4.41 lbs	3250	130+
				30W				4.41 lbs	3750	125+
				36W				4.41 lbs	4500	125+
	24 = 2x4			30W				8.82 lbs	3700	125+
				40W				8.82 lbs	5000	125+
				50W				8.82 lbs	6250	125+
	14 = 1x4			25W				4.63 lbs	3250	130+
				30W				4.63 lbs	3750	125+
				40W				4.63 lbs	5000	125+

Model	Size	Input Voltage	DLC	Wattage	CCT	CRI	Options	Weight	Lumens	LPW
CL										
DLC STANDARD										
CL=CLEANLIFE	22 = 2x2	U = 120-277V H = 100-347 I = 120V	S = STANDARD	20W	30K = 3000K 35K = 3500K 40K = 4000K 50K = 5000K	80	T = TRIAC DIMMING D = 0-10V DIMMING E = 0-10V DIMMING WITH EMERGENCY BACKUP	4.41 lbs	2100	105+
				25W				4.41 lbs	2625	105+
				30W				4.41 lbs	3750	105+
				36W				4.41 lbs	4500	105+
				40W				4.41 lbs	5000	105+
				50W				4.41 lbs	6250	105+
				24 = 2x4						30W
	40W	8.82 lbs	5000		105+					
	50W	8.82 lbs	6250		105+					
	14 = 1x4			25W				4.63 lbs	2625	105+
				30W				4.63 lbs	3750	105+
				40W				4.63 lbs	5000	105+



SPECIFICATION

Optical Parameters

SDCM	<5
UGR	<22
BEAM ANGLE	120°
Fixture Color RAL	9001

Material	PMMA Lens / PS diffuser
	Frame: Aluminum
	Back cover housing: Zinc-coated Iron

Electrical Parameters

Dimming	0-10V 10%-100%
Input Voltage	100-277VAC 50/60Hz, 120V Triac only, 120-347V
PF	>0.9
THD	<20%

Life

Warranty 5 years

Installation Information

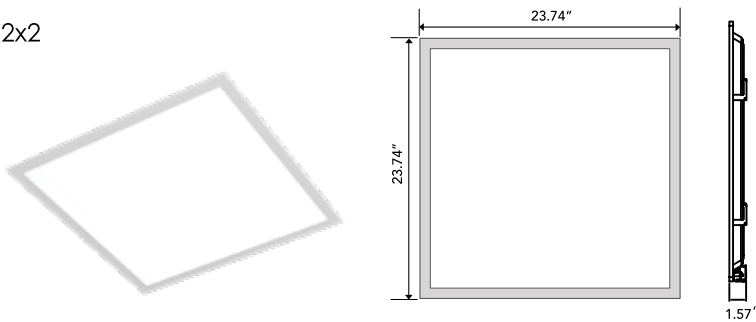
Average ambient temperature Operating temperature range: -20-+40C

Ceiling type T-bar (STS), Suspension or surface optional)

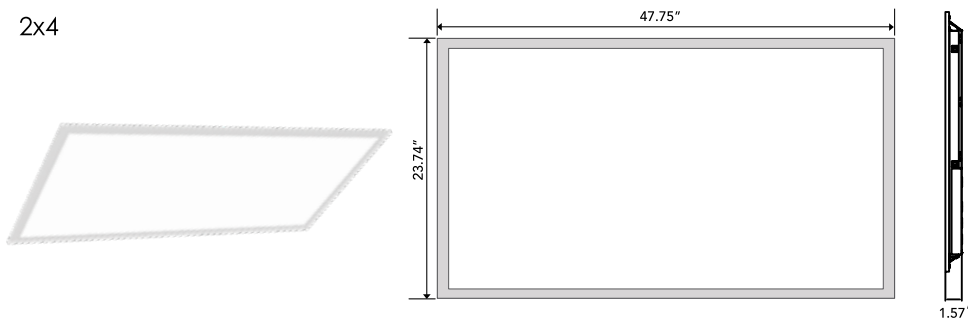
Light source Non-replaceable LED module

PHOTO | DIMENSION

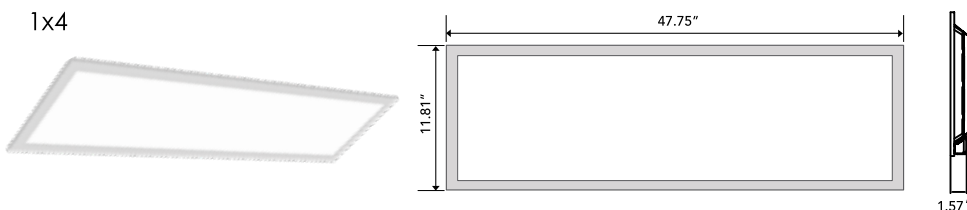
2x2



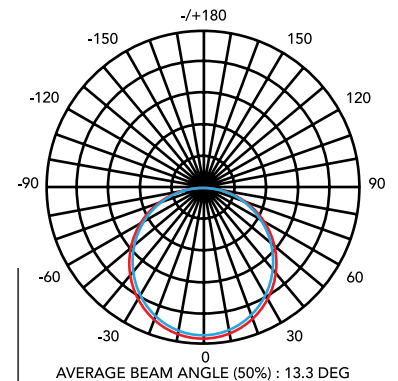
2x4



1x4



POLAR CURVES WIDE DISTRIBUTION



LAMBERTIAN

MOUNTING KITS

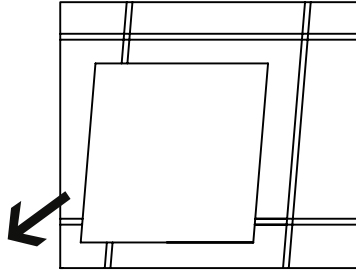
SKU	TYPE
CL-SMF-22-W	2X2 Surface
CL-SMF-24-W	2x4 Surface
CL-PKT-12-S	2 Cables
CL-PKT-14-S	4 Cables



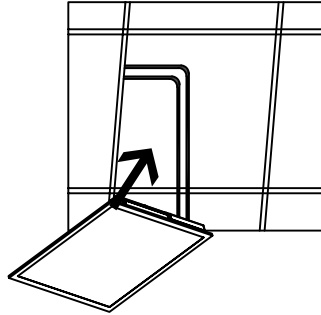
MOUNTING AND ACCESSORY KITS

T-BAR MOUNTING (STANDARD INSTALL)

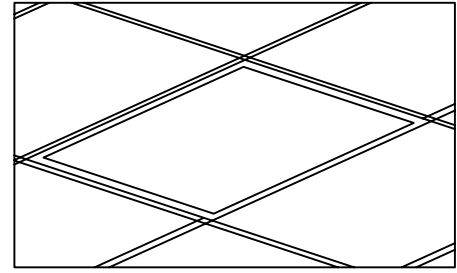
Available for 2x2, 2x4 and 1x4 versions



1. Remove the plaster board from the ceiling.



2. Fix the panel into ceiling.



3. Installation finished.

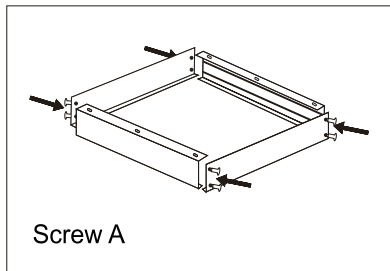
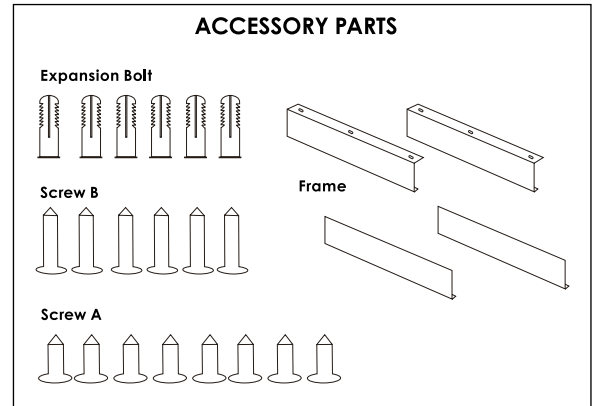
* T-bar mounting clips included
* Full installation instructions included

SURFACE MOUNTING KIT (OPTIONAL)

Available for 2x2 and 2x4 versions only

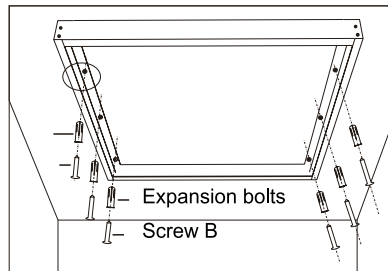
Accessory Parts List	Quantity	Size	Material
Screw A (KS 1X10)	8	0.04 inches diameter, 0.40 inches length	Zinc Coated Iron
Screw B (KA 4X25)	6	0.16 inches diameter, 0.98 inches length	Zinc Coated Iron
Expansion Bolt	6	0.24 inches diameter, 1.18 inches length	PVC
Frame	4	24.17 inches length, 2.44 inches height	Aluminum

SKU	TYPE
CL-SMF-22-W	2x2 Surface
CL-SMF-24-W	2x4 Surface

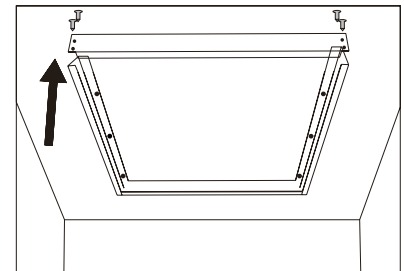


Screw A

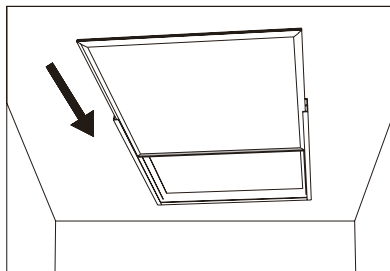
1. Assemble the four sides with 2 X screw A each to create the frame.



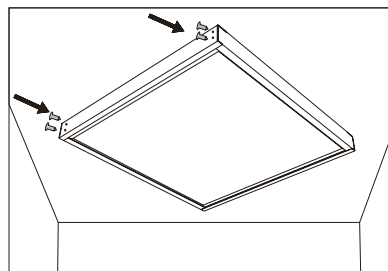
2. Fix the frame to the ceiling with screw B and expansion bolts.



3. Once securely mounted to the ceiling disassemble one end (without mounting screws to the ceiling).



4. Insert the panel into the frame square.



5. Reassemble the remaining end with screw A.

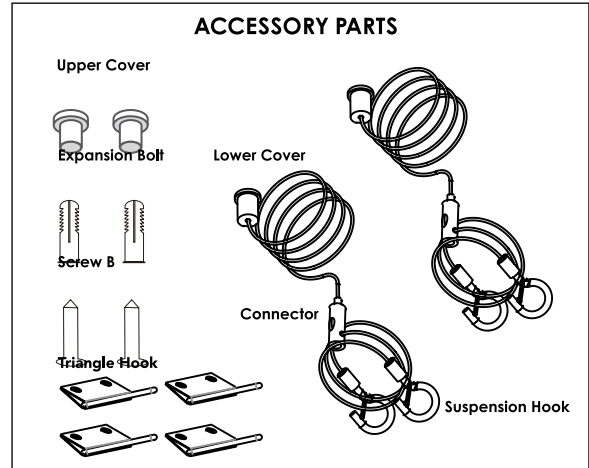


MOUNTING AND ACCESSORY KITS

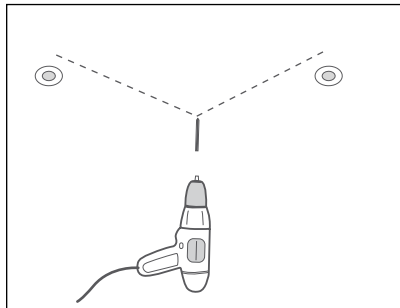
2 CABLES SUSPENSION MOUNTING KIT (OPTIONAL)

Available for 2x2, 2x4 and 1x4 versions

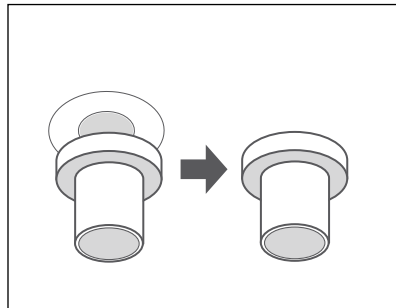
Accessory Parts List	Quantity	Size	Material
Screw B (KA 4X25)	2	0.16 inches diameter, 0.98 inches length	Zinc Coated Iron
Expansion Bolt	2	0.24 inches diameter, 1.18 inches length	PVC
Upper Cover	2	0.59 inches diameter, 0.67 inches height	Nickel Plated Copper
Lower Cover	2	0.45 inches diameter	Zinc Coated Iron
Cable	2	3.28 foot main cable, 2.30 foot branch cable	Stainless
Connector	2	0.35 inches diameter, 1.02 inches height	Stainless
Suspension Hook	4	0.74 inches width, 1.30 inches height	Zinc Coated Iron
Triangle Hook	4	1.10 inches width, 1.18 inches total height	Zinc Coated Iron



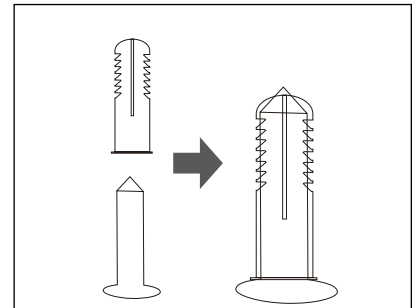
SKU	TYPE
CL-PKT-12-S	2 Cables



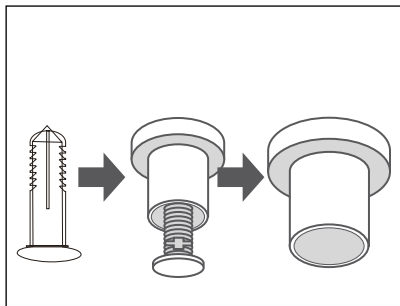
1. According to the length and the width of the panel light, drill four mounting holes on the mounting position.



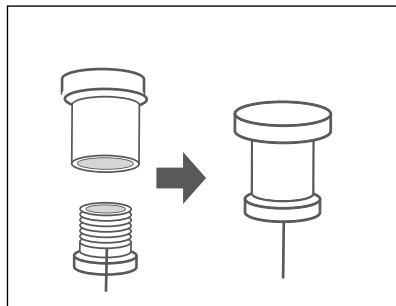
2. Fix the upper cover to mounting hole.



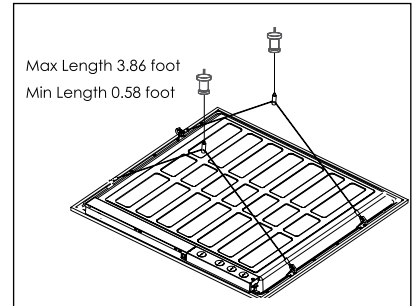
3. Fix the screw inside the expansion bolt to get the self-tapping screw.



4. Use self-tapping screw to lock the upper cover to mounting hole.



5. Twist matching the lower cover to the upper cover. Complete the connection of cable and bearing load.



6. Release wire and connect to panel light. Buckle up the suspension hooks to the triangle hooks attached on panel light.



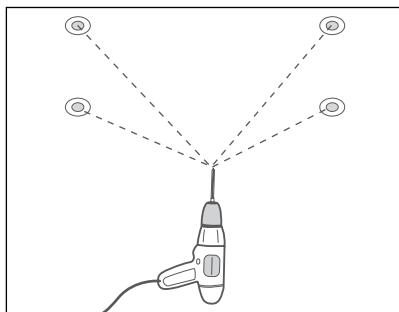
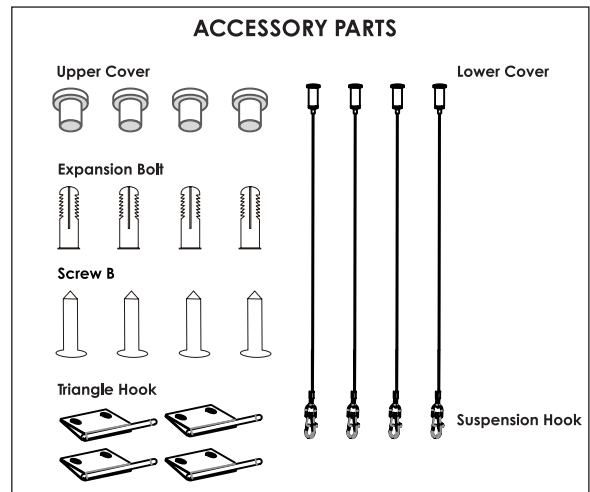
MOUNTING AND ACCESSORY KITS

4 CABLES SUSPENSION MOUNTING KIT (OPTIONAL)

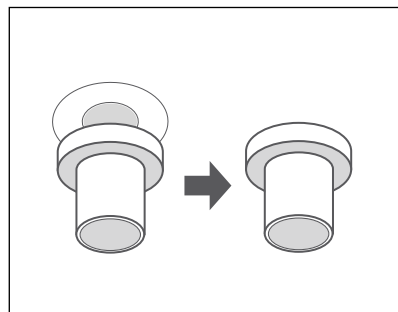
Available for 2x2, 2x4 and 1x4 versions

Accessory Parts List	Quantity	Size	Material
Screw B (KA 4X25)	4	0.16 inches diameter, 0.98 inches length	Zinc Coated Iron
Expansion Bolt	4	0.24 inches diameter, 1.18 inches length	PVC
Upper Cover	4	0.59 inches diameter, 0.67 inches height	Nickel Plated Copper
Lower Cover	4	0.45 inches diameter	Zinc Coated Iron
Cable	4	3.28 foot length	Stainless
Suspension Hook	4	0.74 inches width, 1.30 inches height	Zinc Coated Iron
Triangle Hook	4	1.10 inches width, 1.18 inches total height	Zinc Coated Iron

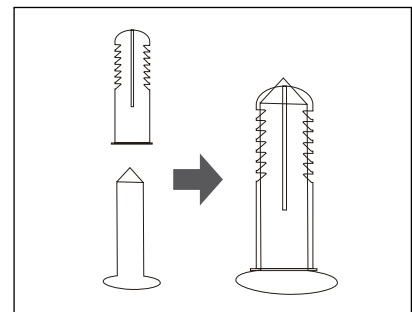
SKU	TYPE
CL-PKT-24-S	4 Cables



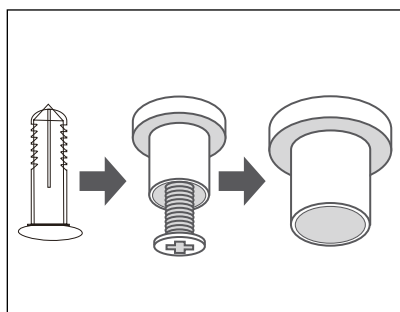
1. According to the length and the width of the panel light, drill four mounting holes on the mounting position.



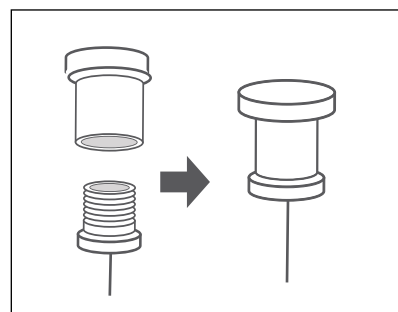
2. Fix the upper cover to mounting hole.



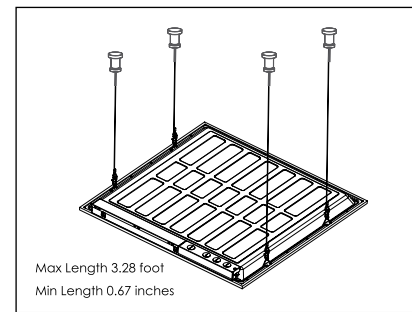
3. Fix the screw inside the expansion bolt to get the self-tapping screw.



4. Use self-tapping screw to lock the upper cover to mounting hole.



5. Twist matching the lower cover to the upper cover. Complete the connection of cable and bearing load.



6. Release wire and connect to panel light. Buckle up the suspension hooks to the triangle hooks attached on panel light.



QUICKSHIP ORDERING INFORMATION

Model #	Size	CCT	Delivered Lumens	Watts	LPW	CRI	Voltage	Dimming	DLC	Weight	Qty/ Carton*	Pallet Qty
CL-14-U-P-30-35K-80-D	1' x 4'	3500K	3750	30	125	80	120-277VAC	0~10V	PREMIUM	4.63 lb	2	84
CL-14-U-P-30-40K-80-D	1' x 4'	4000K	3825	30	127.5	80	120-277VAC	0~10V	PREMIUM	4.63 lb	2	84
CL-22-U-P-30-35K-80-D	2' x 2'	3500K	3750	30	125	80	120-277VAC	0~10V	PREMIUM	4.41 lb	2	96
CL-22-U-P-30-40K-80-D	2' x 2'	4000K	3825	30	127.5	80	120-277VAC	0~10V	PREMIUM	4.41 lb	2	96
CL-22-U-P-36-35K-80-D	2' x 2'	3500K	4500	36	125	80	120-277VAC	0~10V	PREMIUM	4.41 lb	2	96
CL-22-U-P-36-40K-80-D	2' x 2'	4000K	4590	36	127.5	80	120-277VAC	0~10V	PREMIUM	4.41 lb	2	96
CL-22-U-P-36-50K-80-D	2' x 2'	5000K	4590	36	127.5	80	120-277VAC	0~10V	PREMIUM	4.41 lb	2	96
CL-24-U-P-40-35K-80-D	2' x 4'	3500K	5000	40	125	80	120-277VAC	0~10V	PREMIUM	8.82 lb	2	56
CL-24-U-P-40-40K-80-D	2' x 4'	4000K	5100	40	127.5	80	120-277VAC	0~10V	PREMIUM	8.82 lb	2	56
CL-24-U-P-50-35K-80-D	2' x 4'	3500K	6250	50	125	80	120-277VAC	0~10V	PREMIUM	8.82 lb	2	56
CL-24-U-P-50-40K-80-D	2' x 4'	4000K	6375	50	127.5	80	120-277VAC	0~10V	PREMIUM	8.82 lb	2	56
CL-24-U-P-50-50K-80-D	2' x 4'	5000K	6375	50	127.5	80	120-277VAC	0~10V	PREMIUM	8.82 lb	2	56

*Odd quantity orders supported at no additional cost.

Experience Life in TrueColor®
More products available at www.cleanlife.com



Follow Us!



INSTAGRAM
@CLEANLIFELED



FACEBOOK
CLEANLIFE LED LIGHTING



CLEANLIFE ENERGY LLC | 2400 Superior Avenue Suite 207 Cleveland, OH 44114
 Due to our continued efforts to improve our products, product specifications are subject to change without notice.
 © 2019 CLEANLIFE® LED, All Rights Reserved | For more information visit our website: www.cleanlifeled.com



CERTIFICATIONS