

LED Area Light

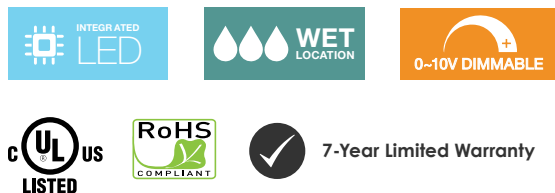


FEATURES

- 120~277VAC or 220~480VAC
- Optional 0~10V Dimmable*
- Optional Photocell Socket
- Long Lifetime, L70>50,000 Hours
- Instant On, No Flicker, Mercury Free, No UV
- High Efficacy, Up to 130 Lumens Per Watt
- Glass free for safer working conditions
- Mounts to Square Poles, Round Poles, or Walls
- Operating Temperature from -40°F to +122°F
- IP-65 Rated for Wet and Humid Environments
- 7-Year Manufacturer's Limited Warranty**
- UL Listed, DLC-Premium Certified & RoHS Compliant

**Dimmable with compatible 0~10V dimmers only. Please contact your CLEANLIFE® representative for more information.*

***Based on usage of up to 12 hours per day. Fixture warranted for 7 years, Power Supply warranted for 5 years. Please contact your CLEANLIFE® representative for more information.*



SPECIFICATIONS

Dimensions	15.3" x 17.3" x 5.4"
Operating Temp.	-40°F (-40°C)~+122°F (+50°C)
Wattage (±10%)	100W, 150W
Lumens at 5000K	100W=13,000 lm, 150W=19,500 lm
Efficacy at 5000K	130 LPW
Color Accuracy	CRI>70
IP-Rating	IP-65

APPLICATION INFORMATION

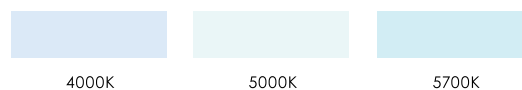
Applications

- Parking Lots
- Roadways
- Pathways
- Outdoor Signs
- Billboards
- General Area Lighting

Market Segments

- Commercial
- Outdoor

Color Temperature





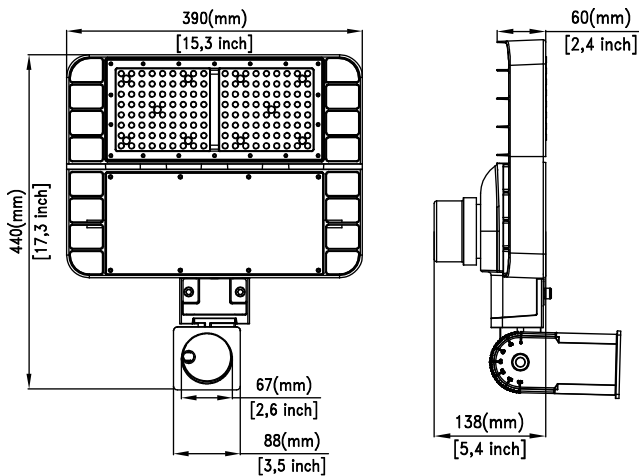
Project/Job	Notes
Date	
Comments	
Prepared by	

Ordering Information

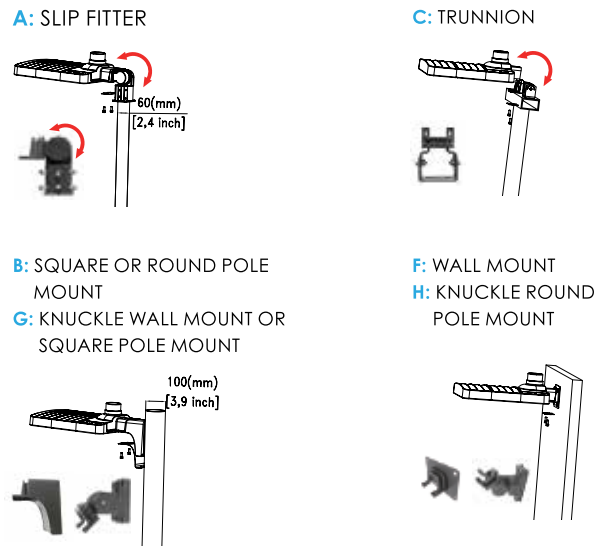
CL	AL	Wattage	Input Voltage	Color Temperature	IES Type & Dimming	Photocell
CL	AL	100W 150W	120 (120~277Vac) 480 (220~480Vac)	40K (4000K) 50K (5000K) 57K (5700K)	X3D (TYPE 3, Dim 0~10V) X3N (TYPE 3, No Dim) X4D (TYPE 4, Dim 0~10V) X4N (TYPE 4, No Dim) X5D (TYPE 5, Dim 0~10V) X5N (TYPE 5, No Dim)	P (with Photocell Socket) N (without Photocell Socket)
CL	AL	XXXW	XXX	XXX	XXX	X

Example Part Number: CL-AL-100W-480-50K-X4N-N

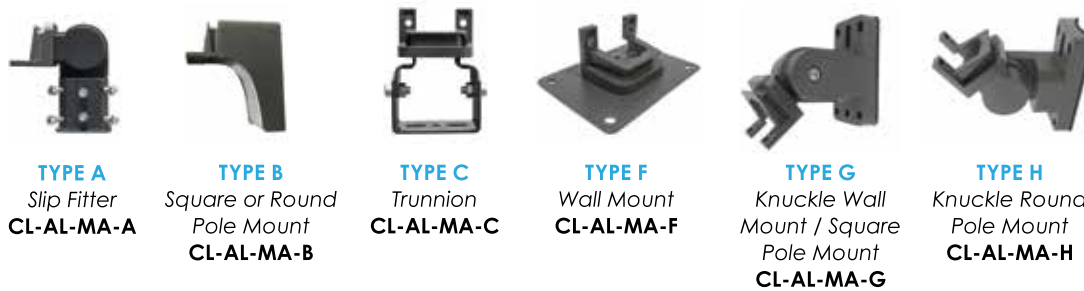
Area Light Dimensions



Installation Options



Mounting Adapter Accessories



Additional Accessories



CLEANLIFE® LED
 1-800-316-2532
 support@cleanlifeled.com
 www.cleanlifeled.com

CLEANLIFE® and the Pinwheel Mark are registered trademarks of Superior Ventures LLC. All Rights Reserved. Not to be reproduced or published without prior permission.

PLEASE NOTE: Product specifications are based off of third party test reports and are subject to change without notice.

