

# LED UFO Light



## FEATURES

- 0~10V Dimmable\*
- Long Lifetime, L70>50,000 Hours
- Instant On, No Flicker, Mercury Free, No UV
- High Efficiency, Up to 150 Lumens Per Watt
- High Light Reflectivity, Lens Pass Rate Over 90%
- Glass free for safer working conditions
- Advective holes and grooves in each fin for heat dissipation
- Hook or Ring Mount
- 5-Year Manufacturer's Limited Warranty
- UL-Listed

\*Dimmable with compatible 0~10V dimmers only. Speak to a CLEANLIFE® representative for more information.

## PRODUCT SPECIFICATIONS

<b>Input Voltage</b>	100-277VAC
<b>CRI</b>	80+
<b>Beam Angle</b>	110°
<b>Dimming</b>	0-10V Dimmable
<b>Working Hours</b>	50,000 hrs.
<b>Operating Temperature</b>	-40°F~113°F

## APPLICATION INFORMATION

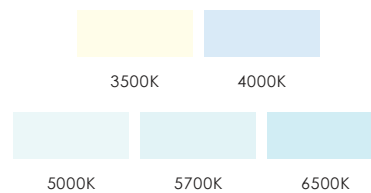
### Use

- Indoor
- Outdoor

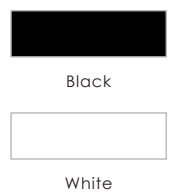
### Applications

- Show Rooms
- Warehouse
- Retail
- Manufacturing Facilities
- Industrial Spaces
- Gymnasiums
- Parking Garage

### Color Temperature



### Finish



## ORDERING INFORMATION

Part Number	Rated Power	Input Voltage	Typical Lumens (±10%)	Nominal Lumens Per Watt	Color Temperature	Beam Angle	CRI (±5)
CL-UFO-1210-100W-110-X-XXK(XX)	100W	100-277V AC	13,500lm	135	3500K, 4000K, 5000K, 5700K, 6500K	110°	80+
CL-UFO-1215-150W-110-X-XXK(XX)	150W	100-277V AC	20,250lm	135	3500K, 4000K, 5000K, 5700K, 6500K	110°	80+
CL-UFO-1220-200W-110-X-XXK(XX)	200W	100-277V AC	27,000lm	135	3500K, 4000K, 5000K, 5700K, 6500K	110°	80+
CL-UFO-1224-240W-110-X-XXK(XX)	240W	100-277V AC	32,400lm	135	3500K, 4000K, 5000K, 5700K, 6500K	110°	80+

"X" can be "H" or "HY" (Y=number) to represent lighting effect (no effect to power).

"XXK" can be "35K", "40K", "50K", "57K", or "65K" to represent color temperature.

"(XX)" can be (MS) to indicate with Motion Sensor or (PIR) to indicate with PIR Sensor or (BT) to indicate with Bluetooth Microwave Sensor or black to indicate without Sensor.



Easy to Install



Ultra Bright



Energy Saving



Robust Design



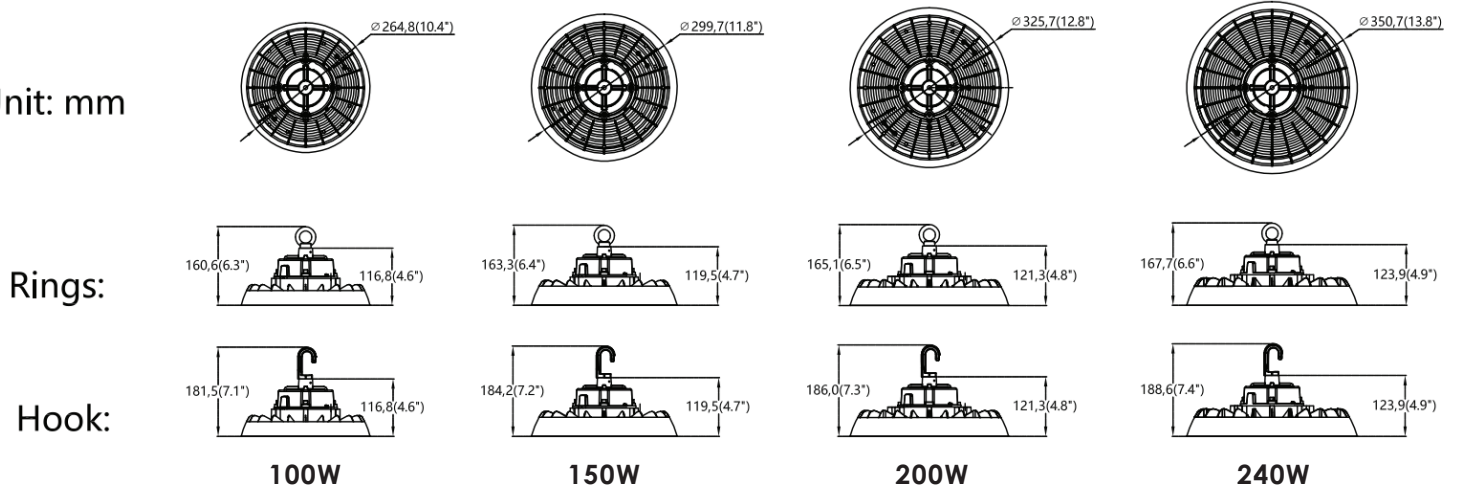
# LED UFO High Bay Light



Project/Job	Notes
Date	
Comments	
Prepared by	

## PRODUCT DIMENSIONS

Unit: mm



## APPLICATIONS



**CLEANLIFE®**

1-800-316-2532

info@cleanlife.com

www.cleanlife.com

CLEANLIFE®, Finding a Better Way™, and the Pinwheel Mark are registered trademarks of Superior Ventures LLC. All Rights Reserved. Not to be reproduced or published without prior permission.

PLEASE NOTE: Product specifications are based off of third party test reports and are subject to change without notice.

