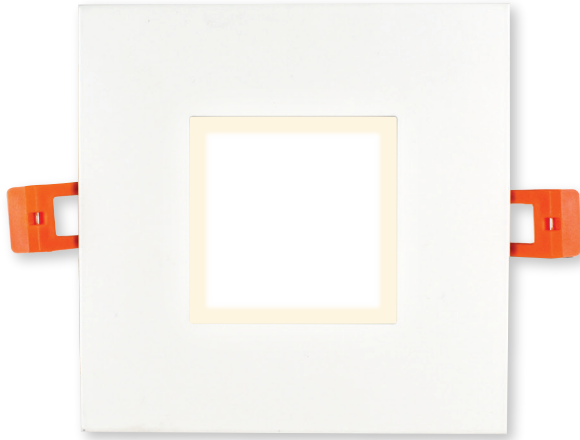


# 24V DC Low-Voltage Recessed Square LED Downlight



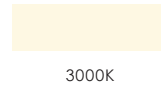
Shown in White

## FEATURES

- Clean, Canless Modern Design
- CRI >80
- Recessed Mount
- 24V DC Input
- Lifetime: 100,000+ hrs.
- Mounting Accessories Included
- Low-Voltage PWM Dimmable\*

\*When used with CLEANLIFE® approved Low-Voltage LED Dimmer

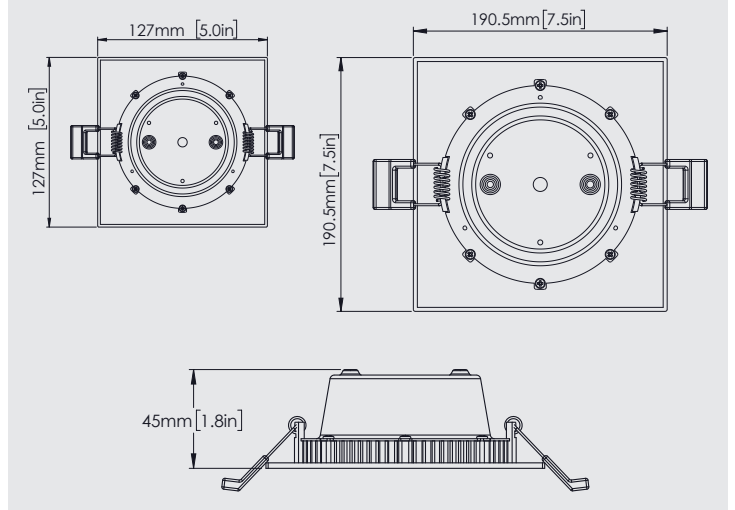
## Color Temperature



## Finish



## PRODUCT DIMENSIONS



## ORDERING INFORMATION

Part Number	Size	Color Temperature	Finish	Average Rated Life (hrs.)	Input Voltage	Rated Power	Typical Lumens (±10%)	CRI (±5)
CL-LED-24-RSDL05-WH30-01	5"	3000K	Matte White	100,000+	24V DC	10W	700lm	80+
CL-LED-24-RSDL05-MB30-01	5"	3000K	Matte Black	100,000+	24V DC	10W	700lm	80+
CL-LED-24-RSDL05-BN30-01	5"	3000K	Brushed Nickel	100,000+	24V DC	10W	700lm	80+
CL-LED-24-RSDL07-WH30-01	7"	3000K	Matte White	100,000+	24V DC	15W	1200lm	80+
CL-LED-24-RSDL07-MB30-01	7"	3000K	Matte Black	100,000+	24V DC	15W	1200lm	80+
CL-LED-24-RSDL07-BN30-01	7"	3000K	Brushed Nickel	100,000+	24V DC	15W	1200lm	80+

## CLEANLIFE®

1-800-316-2532

info@cleanlife.com

www.cleanlife.com

CLEANLIFE®, Finding a Better Way®, and the Pinwheel Mark are registered trademarks of Superior Ventures LLC. All Rights Reserved. Not to be reproduced or published without prior permission.

PLEASE NOTE: Product specifications are based off of third party test reports and are subject to change without notice.

