

# 24V DC Low-Voltage Classic LED Pendant



Shown in Brushed Nickel

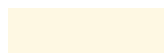
## FEATURES

- CRI >80
- Cord Hung
- Opal Glass
- 24V DC Input
- Lifetime: 100,000+ hrs.
- Mounting Accessories Included
- Low-Voltage PWM Dimmable\*

\*When used with CLEANLIFE® approved Low-Voltage LED Dimmer



## Color Temperature



3000K

## Finish



Matte White

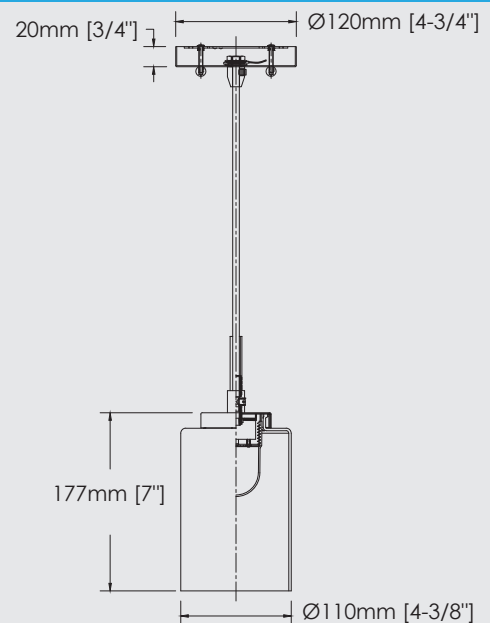


Matte Black



Brushed Nickel

## PRODUCT DIMENSIONS



## ORDERING INFORMATION

Part Number	Size	Color Temperature	Finish	Average Rated Life (hrs.)	Input Voltage	Rated Power	Typical Lumens (±10%)	CRI (±5)
CL-LED-24-CLSP-WH30-01	4"	3000K	Matte White	100,000+	24V DC	5W	400lm	80+
CL-LED-24-CLSP-MB30-01	4"	3000K	Matte Black	100,000+	24V DC	5W	400lm	80+
CL-LED-24-CLSP-BN30-01	4"	3000K	Brushed Nickel	100,000+	24V DC	5W	400lm	80+

## CLEANLIFE®

1-800-316-2532

info@cleanlife.com

www.cleanlife.com

CLEANLIFE®, Finding a Better Way®, and the Pinwheel Mark are registered trademarks of Superior Ventures LLC. All Rights Reserved. Not to be reproduced or published without prior permission.

PLEASE NOTE: Product specifications are based off of third party test reports and are subject to change without notice.

