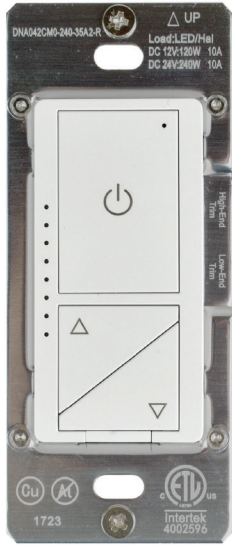


PWM Wired Dimmer Switch with 3-Way Wireless Switch/Remote



FEATURES

- **Space Optimization:** Streamlined design with a narrow body, maximizing available space for efficient wire management.
- **Durable Construction:** Crafted from high-impact resistant thermoplastic for enhanced durability and long-lasting performance.
- **Seamless Installation:** Washer-type break-off plaster ears.
- **Sleek Aesthetics:** Modern design with a screwless face plate for a clean appearance.
- **Smart Control:** Remote control functionality operating at 2.4GHz for convenient and flexible management of lighting.
- **Intelligent Memory Function:** Automatic memory function ensures that the device retains settings even after a power outage, providing a hassle-free user experience.
- **Dimming Precision:** PWM dimming technology allowing for precise control of light levels from 0% to 100%.
- **Universal Compatibility:** Designed to fit seamlessly into standard electrical boxes.



white face plate included



DIMMER SWITCH WITH WALL PLATE

REMOTE WITH WALL PLATE



ORDERING INFORMATION

Part Number	Connection Options	Type	Input Voltage	Max Load
CL-DIM-1224-3P-K-03	3-Way	Dimmer Switch, Remote with Wall Plates	12~48V DC	120W @ 12V, 240W @ 24V, 480W @ 48V
CL-DIM-1224-PWM-3P-03	3-Way	Dimmer Switch with Wall Plate	12~48V DC	120W @ 12V, 240W @ 24V, 480W @ 48V
CL-DIM-RMT-ACC-03	3-Way	Remote with Wall Plate	3V Battery	120W @ 12V, 240W @ 24V, 480W @ 48V

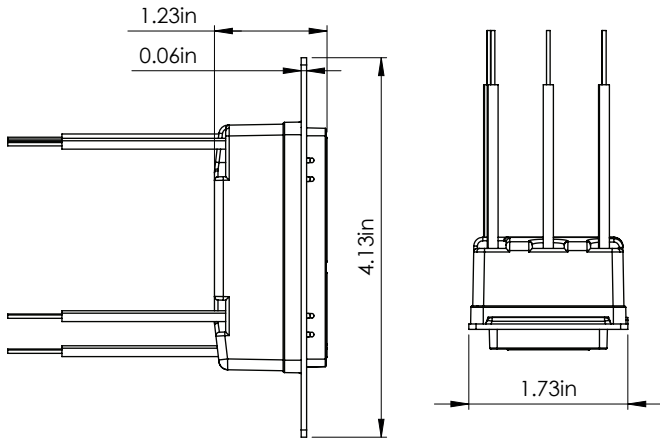
PWM Wired Dimmer Switch with 3-Way Wireless Switch/Remote

Specifications & Data

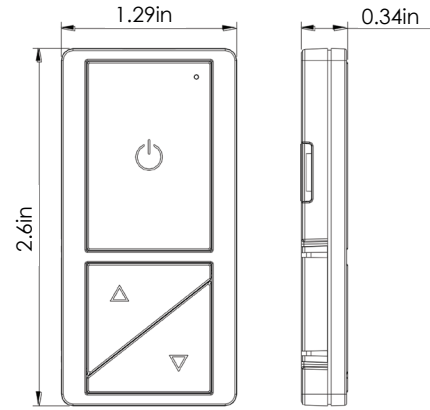


Project/Job	Notes
Date	
Comments	
Prepared by	

PRODUCT DIMENSIONS



Dimmer Switch



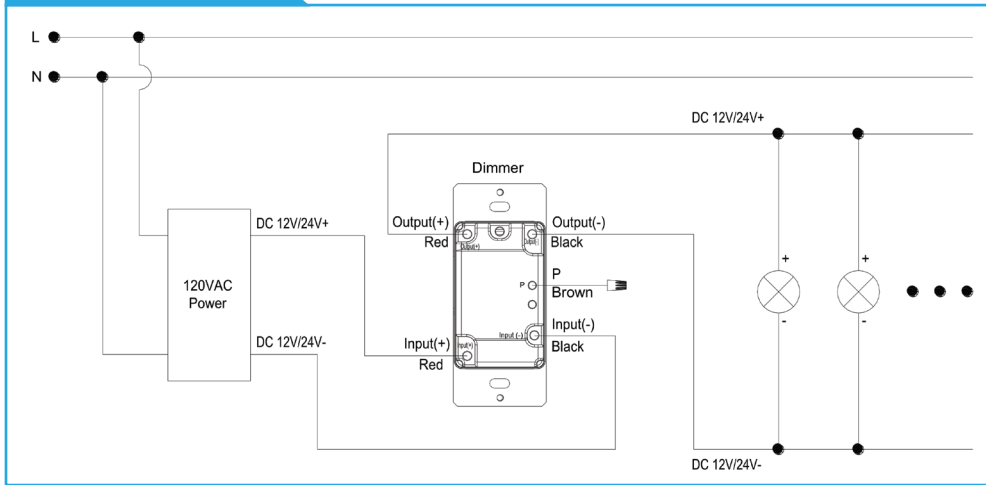
Remote

FUNCTION TABLE

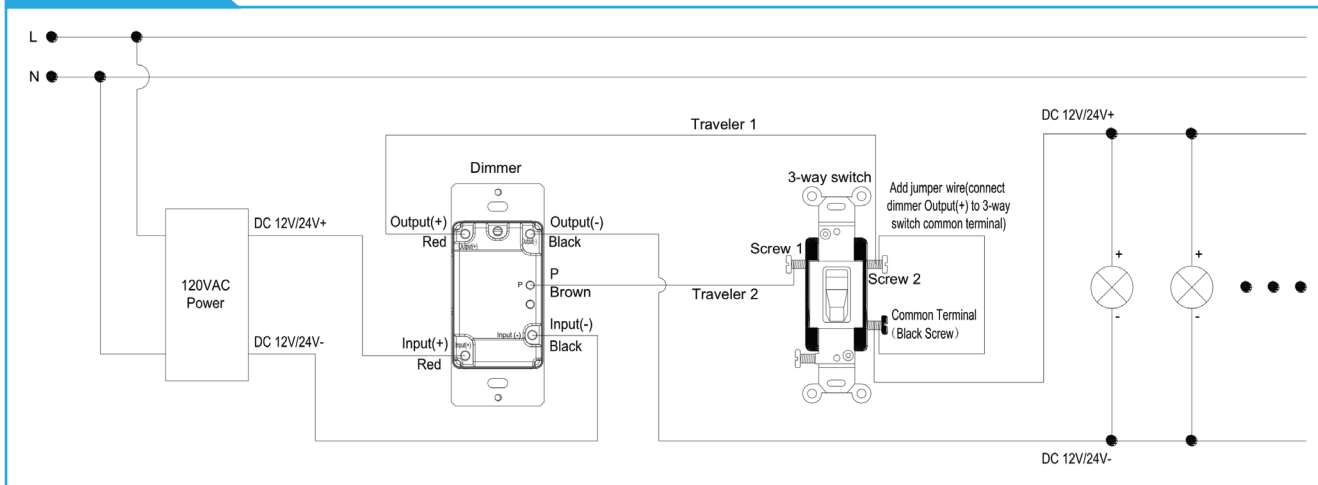
FUNCTION	OPERATION WAYS OF DIMMER	DIMMER OPERATION	REMOTE OPERATION	3-WAY CONNECT SWITCH OPERATION
Pairing Mode	Continuous short press the power button seven times	✓	✗	✗
ON/OFF	Short press the power button once	✓	✓	✓
Dimming	Short/Long press the power button (UP/DOWN)	✓	✓	✗
Quickly adjust to maximum brightness	Continuous short press the power button (UP) twice	✓	✓	✗
Quickly adjust the minimum brightness	Continuous short press the power button (Down) twice	✓	✓	✗
Set maximum brightness	Continuous short press the power button eight times	✓	✗	✗
Set minimum brightness	Continuous short press the power button six times	✓	✗	✗
Restore the factory setting	Continuous short press the power button ten times	✓	✗	✗

WIRING DIAGRAM

SINGLE-POLE WIRING



3-WAY WIRING



CLEANLIFE®

1-800-316-2532

info@cleanlife.com

www.cleanlife.com

CLEANLIFE®, Finding a Better Way®, and the Pinwheel Mark are registered trademarks of Superior Ventures LLC. All Rights Reserved. Not to be reproduced or published without prior permission.

PLEASE NOTE: Product specifications are based off of third party test reports and are subject to change without notice.

