

3-Channel Class 2 LED Driver with Enclosure



FEATURES

- Constant Voltage Output, Multi-Channel
- cUL listed, Class 2, Class P, Type HL
- Input Range: 100-277VAC
- Built-in Active PFC Function
- High Power Factor, Up to 92%
- Short Circuit, Overload, and Over Temperature Protection
- Protective aluminum housing for damp locations
- Suitable for LED lighting and moving sign applications

SPECIFICATIONS

Model		CL-C24288-ASWJV2	
Certificates		cUL, FCC	
Output	DC Voltage	24V	
	Rated Current	Three Channels, each rated at 4A	
	Rated Power	Three Channels, each rated at 96W	
	Voltage Tolerance	±0.5V	
	Voltage Regulation	±0.5%	
	Load Regulation	±1%	
Input	Voltage Range	100-277VAC	
	Frequency Range	47-63Hz	
	Power Factor (Typ.) @ full load	0.99@120VAC	0.95@277VAC
	THD (Typ.) @ full load	<20%	
	Efficiency (Typ.) @ full load	88%@120V	92%@277VAC
	AC Current (Max.)	3.4A@100VAC	
	Inrush Current (Typ.)	35A, 50%, 960us @120VAC; 43A, 50%, 1ms @277VAC	
Leakage Current	<0.50mA		
Protection	Short Circuit	Shut down o/p voltage, re-power on to recover after fault condition is removed.	
	Over Loading	≤120% Hiccup mode, recovers automatically after fault condition is removed.	
	Over Temperature	100°C±10°C shut down o/p voltage, automatically recover after cooling.	
Environment	Working Temperature	-40~+60°C (see derating curve)	
	Working Humidity	20~90%RH, non-condensing	
	Storage Temperature Humidity	-40~+80°C, 10~95%RH	
	Temperature Coefficient	±0.03%/°C (0~50°C)	
	Vibration	10~500Hz, 5G 10min./1 cycle, period for 60 min. each along X,Y,Z axes	
Safety & EMC	Safety Standards	UL8750	
	Withstand Voltage	I/P-O/P:1.88KVac	
	Isolation Resistance	I/P-O/P:100MΩ/500VDC/25°C/70%RH	
	EMC Emission	FCC 47 CRF Part 15, Subpart B	
Others	Net Weight	Driver: about 1.9kg	Driver + Junction Box: about 2.6kg
	Size	Driver: 301*78*47mm (L*W*H)	Junction Box: 458*87*60mm (L*W*H)
	Packing	10pcs/CTN	
Notes	1. All parameters if NOT specially mentioned are measured at 120VAC input, rated load and 25°C of ambient temperature. 2. To extend the driver's useful life, please reduce the loading at lower input voltage.		

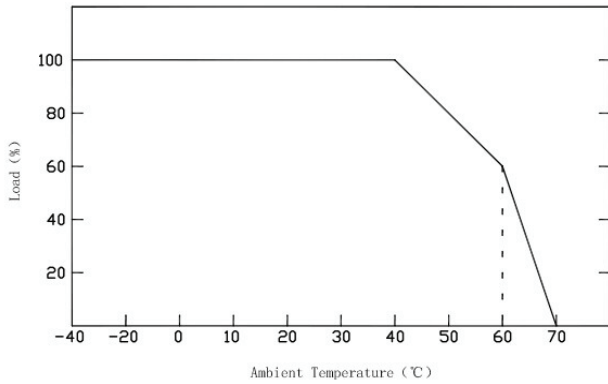
3-Channel Class 2 LED Driver with Enclosure

Specifications & Data



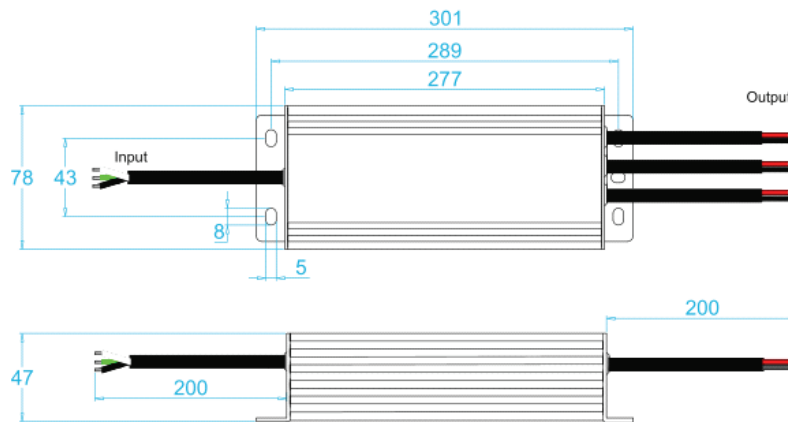
Project/Job	Notes
Date	
Comments	
Prepared by	

DERATING CURVE



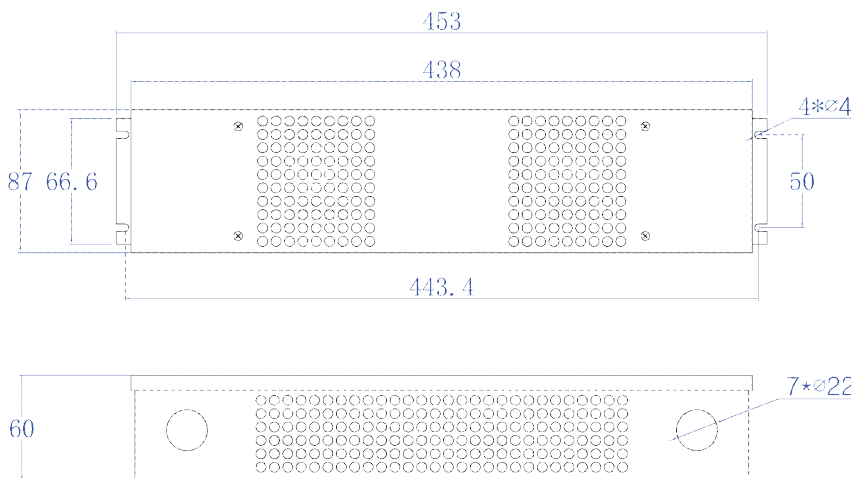
- To extend their life, please refer to the Derating Curve and derate according to the temperature.

MECHANICAL SPECIFICATION

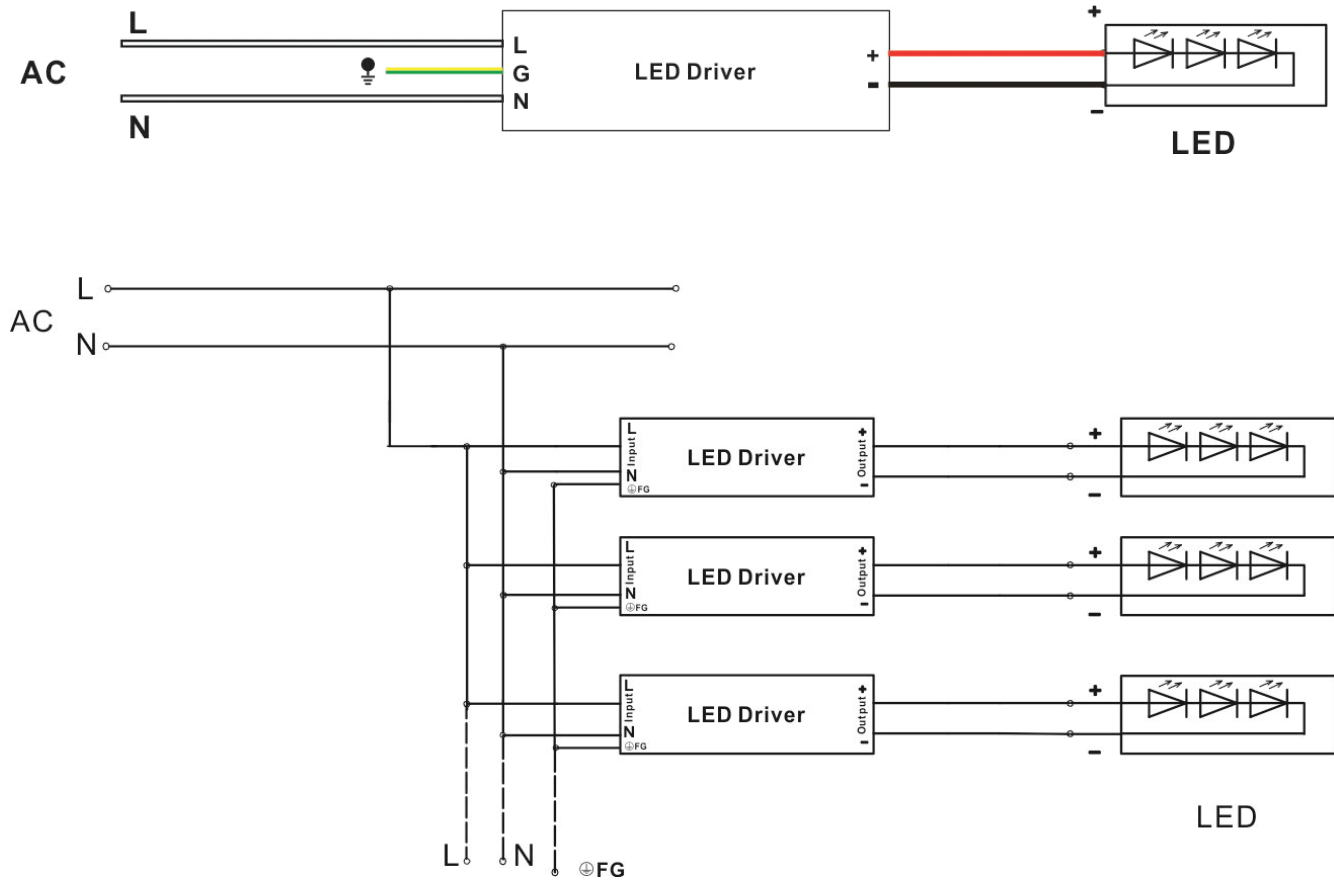


Unit: mm
Tolerance: P 0.5-2mm

- Input wire 3*18AWG Black and White to be connected to AC L and N, Green wire to ground.
- Output cable 2*16AWG "Red" (+) to LED Positive side (+), "Black" (-) to LED Negative side (-).
- CL-C24288-ASWJV2 has three groups of output cables.
- Please make sure you connect these correctly otherwise your product will not function correctly and could be damaged.



CONNECTING DIAGRAM



Instruction

- This driver should be installed by a qualified person.
- Please make sure this driver is installed with adequate ventilation around it to allow for heat dissipation.
- Ensure that wiring is correct before testing in order to avoid light and power supply damage.
- If driver does not work correctly, please contact CLEANLIFE for support.

Please visit our website or contact us for more information: www.cleanlife.com

CLEANLIFE®

1-800-316-2532

info@cleanlife.com

www.cleanlife.com

CLEANLIFE®, Finding a Better Way®, and the Pinwheel Mark are registered trademarks of Superior Ventures LLC. All Rights Reserved. Not to be reproduced or published without prior permission.

PLEASE NOTE: Product specifications are based off of third party test reports and are subject to change without notice.

