

2-Channel Class 2 LED Driver with Enclosure



FEATURES

- Output constant voltage, Class 2 multi-channels
- UL, cUL listed, Class 2, Class P, Type HL
- Range: 100-277VAC
- High power factor up to 89%
- Short circuit, over loading, and over temperature protection
- Cooling by free air convection
- Full protection aluminum housing for dry and damp locations



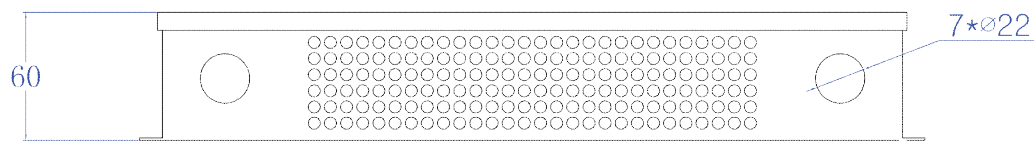
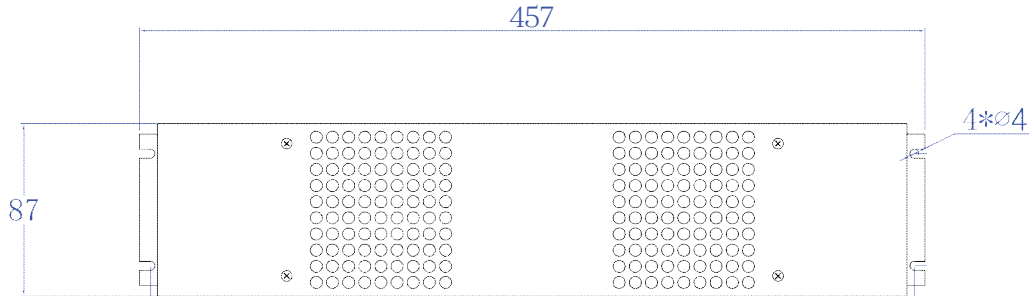
SPECIFICATIONS

Model	CL-C24192-ASWJV2	
Certificates	UL / cUL / FCC	
Output	DC Voltage	24V
	Rated Current	2*4A
	Rated Power	192W (2*96W)
	Voltage Tolerance	±0.5V
	Voltage Regulation	±0.5%
	Load Regulation	±1%
Input	Voltage Range	100-277VAC
	Frequency Range	47-63Hz
	Power Factor (Typ.) @ full load	0.99@120VAC 0.94@277VAC
	THD (Typ.) @ full load	<20%
	Efficiency (Typ.) @ full load	87%@120VAC 89%@277VAC
	AC Current (Max.)	2.3A@100VAC
	Inrush Current (Typ.)	19A, 50%, 1.3ms @ 120VAC 38A, 50%, 960ms @ 277VAC
Leakage Current	<0.5mA	
Protection	Short Circuit	Shut down o/p voltage, re-power on to recover after fault condition is removed.
	Over Loading	≤120% constant current limiting, auto-recovery
	Over Temperature	100°C±10°C shut down o/p voltage, automatically recover after cooling.
Environment	Working Temperature	-40~+60°C (see derating curve)
	Working Humidity	20~95%RH, non-condensing
	Storage Temperature Humidity	-40~+80°C, 10~95%RH non-condensing
	Temperature Coefficient	±0.03%/°C (0~50°C)
	Vibration	10~500Hz, 5G 10min./1 cycle, period for 60 min. each along X,Y,Z axes
Safety & EMC	Safety Standards	UL8750
	Withstand Voltage	I/P-O/P:1.88KVAC
	Isolation Resistance	I/P-O/P:100MΩ/500VDC/25°C/70%RH
	EMC Emission	FCC 47 CFR Part 15, Subpart B (US)
Others	Net Weight	1.7kg
	Size	267*78*48mm (L*W*H)
	Packing	10pcs/CTN
Notes	1. All parameters if NOT specially mentioned are measured at 120VAC input, rated load and 25°C of ambient temperature. 2. To extend the driver's using life, please reduce the loading at lower input voltage.	

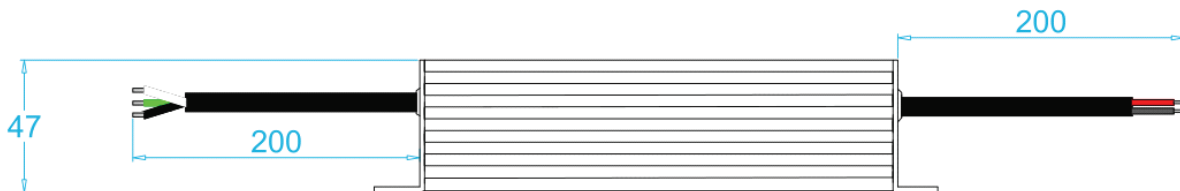
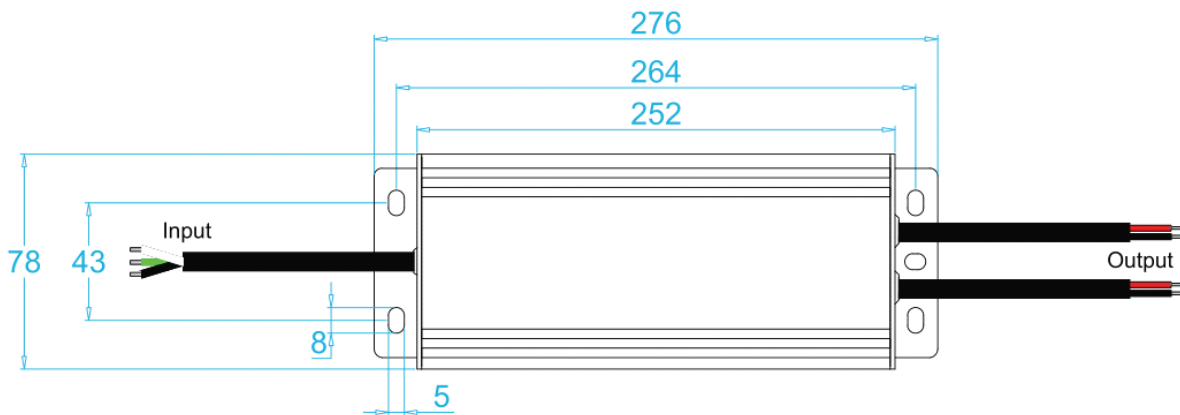
Project/Job	Notes
Date	
Comments	
Prepared by	



MECHANICAL SPECIFICATION

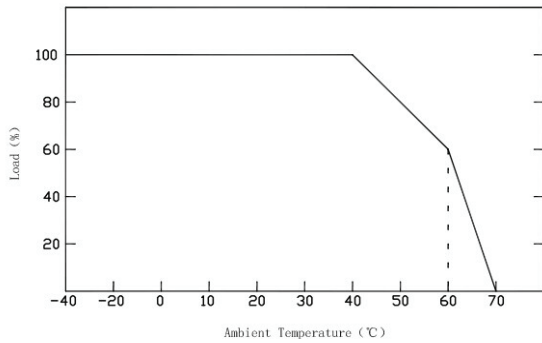


Junction Box



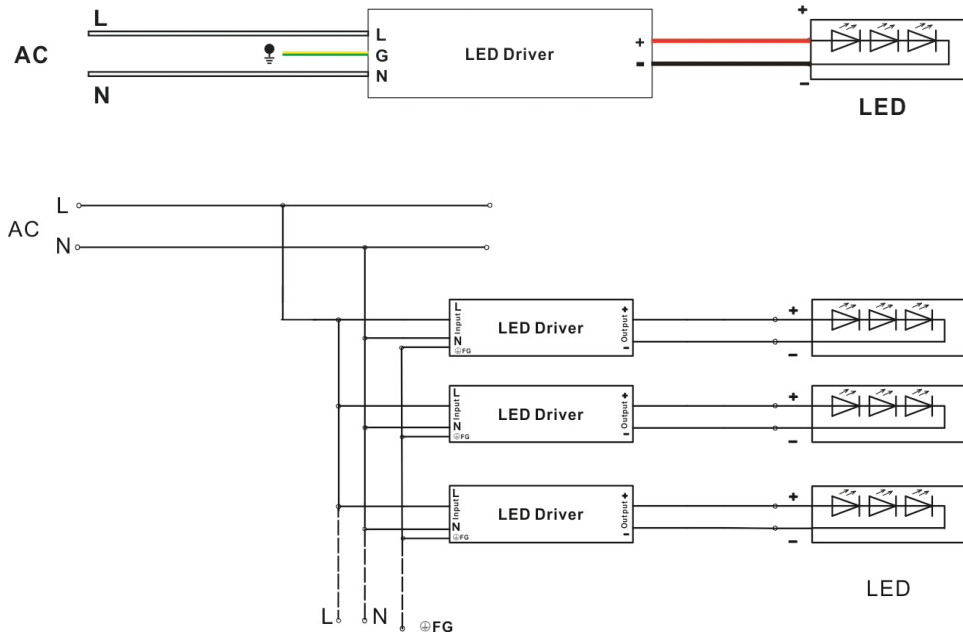
- Input wire 3*18AWG Black and White to be connected to AC L and N, Green wire to ground.
- Output cable 2*16AWG "Red" (+) to LED Positive side (+), "Black" (-) to LED Negative side (-).
- Please make sure you connect these correctly otherwise your product will not function correctly and could be damaged.

DERATING CURVE



- To extend their life, please refer to the Derating Curve and derate according to the temperature.

CONNECTING DIAGRAM



Instruction

- This driver should be installed by a qualified person.
- Please make sure this driver is installed with adequate ventilation around it to allow for heat dissipation.
- Ensure that wiring is correct before testing in order to avoid light and power supply damage.
- If driver does not work correctly, please contact CLEANLIFE for support.

Please visit our website or contact us for more information: www.cleanlife.com

CLEANLIFE®

1-800-316-2532
 info@cleanlife.com
 www.cleanlife.com

CLEANLIFE®, Finding a Better Way®, and the Pinwheel Mark are registered trademarks of Superior Ventures LLC. All Rights Reserved. Not to be reproduced or published without prior permission.

PLEASE NOTE: Product specifications are based off of third party test reports and are subject to change without notice.

