



### Product Feature:

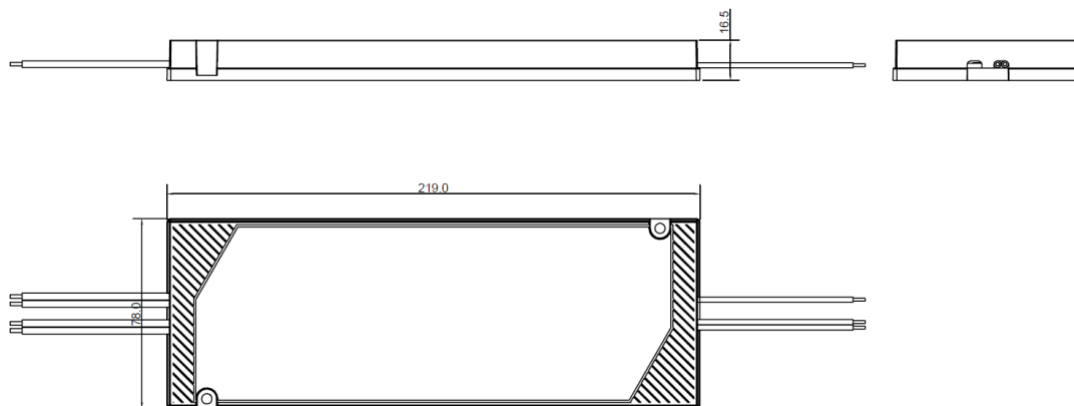
- Constant Voltage Design
- Type of Protection: Overload/Over voltage
- Fully Protective Plastic Shell
- Class 2 Driver
- Suitable for Indoor Fixtures
- 100% Fully Load Aging Test
- 3 Years Warranty

### Electrical specification

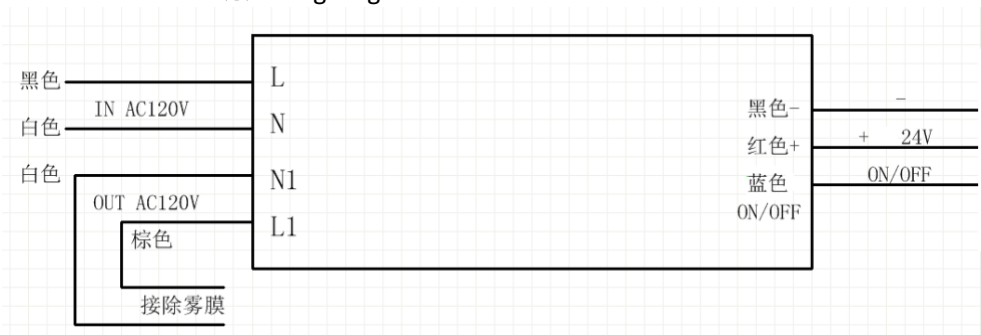


Model		AED90-24VUL-3AF
Output	Output Voltage	24V
	Voltage Accuracy	±3%
	Output Current	3.75A
	Output rated power	90W
	Max.no Load Voltage	25.2V
	Load Regulation	±3%
Input	Voltage range	108-132Vac
	Frequency range	60Hz
	Efficiency (Typ.)	88%
	Input current	2.38A(Max)
	Surge current (Max)	90A@120Vac Full-load Cold State
	Leakage Current	0.5mA
	Line Regulation	±2%
	Start up time	0.2s
	Heating film function	YES
Heating film rated current	0.83A@120Vac Max	
Protection	Overload	The rated output power is 110%-130%. Abnormality lifts back to normality without any output of driver
	Short circuit protection	Products are not damaged when appearing short-circuited. It can be recovered automatically when short-circuit is released
Environment	Operating temperature/humidity	-20°C~40°C/ 20%~90% RH
	Storage Temperature/humidity	-20°C~80°C/ 10%~95% RH
	Vibration	10~500Hz,2G 10 minutes/The cycle period for X, Y, Z axis 60 minutes each
	Noise/(Max)	24DB
Safety specification and Electromagnetic compatibility	Safety specification	UL8750,UL1310
	Withstand Voltage	I/P-O/P :1500Vac 5mA
	Insulation Resistance	I/P-O/P, 100Mohms/500Vdc/25°C/70%RH
	Electromagnetic compatible emission	FCC Part15
	Electromagnetic compatibility immunity	IEC61000-4-2,3,4,5,6,8,11
	Lifetime	30000H
Size	219mm*78mm*16.5mm	
Remark	<p>1. Without specified, all specification parameters are measured at the input of 120VAC, rated loda and ambient temperature of 25 degree</p> <p>2. Method of noise measurement: 300mm distance test inside the sound attenuated box.</p> <p>3. The output needs to be reduced in the case of low input voltage. Please refer to the static characteristic curve for more details.</p> <p>4. The driver is considered to be a component used in conjunction with the terminal equipment. Manufacturers of terminal equipment needs to reconfirm EMC in the whole set of equipment because the EMC is affected by the complete set of equipment.</p> <p>5. The start-up time is measured in the cold start-up state and continuous switches may make the start-up time longer.</p> <p>6.It is an optional model passing UL(UL8750 UL1310) certification and please contact to Jingzhou for more details.</p>	

Mechanical drawings. Unit : mm



※Wiring diagram.



Deduction curve. Static characteristic.

