



Product Feature:

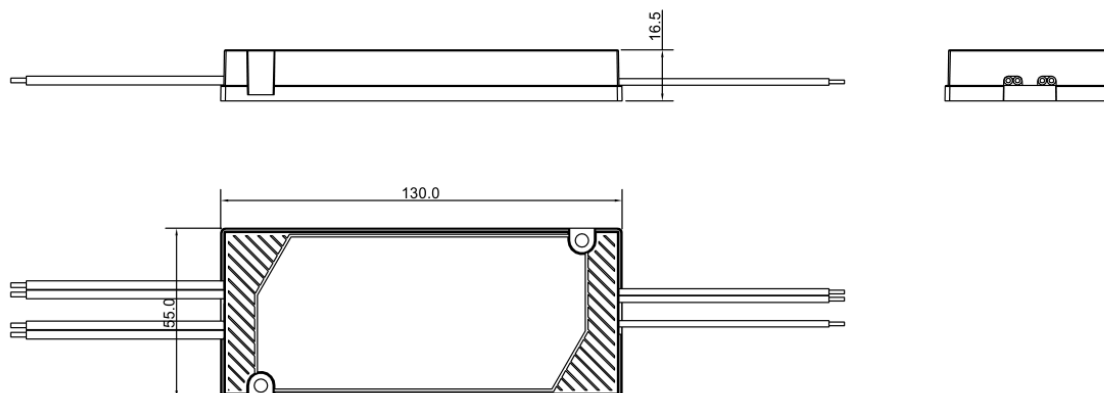
- Constant Voltage Design
- Type of Protection: Overload/Over voltage
- Fully Protective Plastic Shell
- Class 2 Driver
- Suitable for Indoor Fixtures
- 100% Fully Load Aging Test
- 3 Years Warranty

Electrical specification

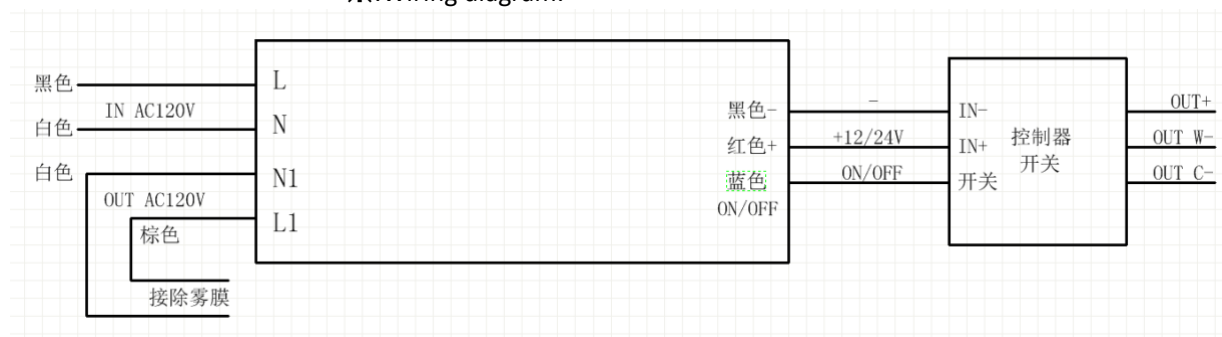


Model	AED36-12VUL-3AF	AED36-12VUL-3BF	AED36-24VUL-3AF	AED36-24VUL-3BF
Output	Output Voltage		12V	
	Voltage Accuracy		±5%	
	Output Current		3A	
	Output rated power		36W	
	Max.no Load Voltage		14V	
	Load Regulation		±5%	
Input	Voltage range			
	108-132Vac			
	Frequency range			
	60Hz			
	Efficiency (Typ.)		85%	
	Input current		86%	
	1.53A(Max)		0.7A(Max)	
	Surge current (Max)		1.53A(Max)	
	60A@120Vac Full-load Cold State		0.7A(Max)	
	Leakage Current		0.5mA	
Line Regulation		±5%		
Start up time		1s		
Heating film function		YES		
NO		YES		
NO		NO		
Heating film rated current		0.83A@120Vac Max		
No heating film function		0.83A@120Vac Max		
No heating film function		No heating film function		
Protection	Overload			
	The rated output power is 110%-130%. Abnormality lifts back to normality without any output of driver			
Short circuit protection		Products are not damaged when appearing short-circuited. It can be recovered automatically when short-circuit is released		
Environment	Operating temperature/humidity			
	-20°C~40°C/ 20%~90% RH			
	Storage Temperature/humidity			
	-20°C~80°C/ 10%~95% RH			
Vibration		10~500Hz,2G 10 minutes/The cycle period for X, Y, Z axis 60 minutes each		
Noise/(Max)		24DB		
Safety specification and electromagnetic compatibility	Safety specification			
	UL8750,UL1310			
	Withstand Voltage			
	I/P-O/P :1500Vac 5mA			
	Insulation Resistance			
	I/P-O/P, 100Mohms/500Vdc/25°C/70%RH			
	Electromagnetic compatible emission			
FCC Part15				
Electromagnetic compatibility immunity		IEC61000-4-2,3,4,5,6,8,11		
Lifetime		30000H		
Size		130mm*55mm*16.5mm		
Remark	<p>1. Without specified, all specification parameters are measured at the input of 120VAC, rated loda and ambient temperature of 25 degree</p> <p>2. Method of noise measurement: 300mm distance test inside the sound attenuated box.</p> <p>3. The output needs to be reduced in the case of low input voltage. Please refer to the static characteristic curve for more details.</p> <p>4. The driver is considered to be a component used in conjunction with the terminal equipment. Manufacturers of terminal equipment needs to reconfirm EMC in the whole set of equipment because the EMC is affected by the complete set of equipment.</p> <p>5. The start-up time is measured in the cold start-up sate and continuous switches may make the start-up time longer.</p> <p>6. It is an optional model passing UL(UL8750 UL1310) certification and please contact to Jingzhou for more details.</p>			

Mechanical drawings. Unit : mm



※:Wiring diagram.



Deduction curve. Static characteristic.

