

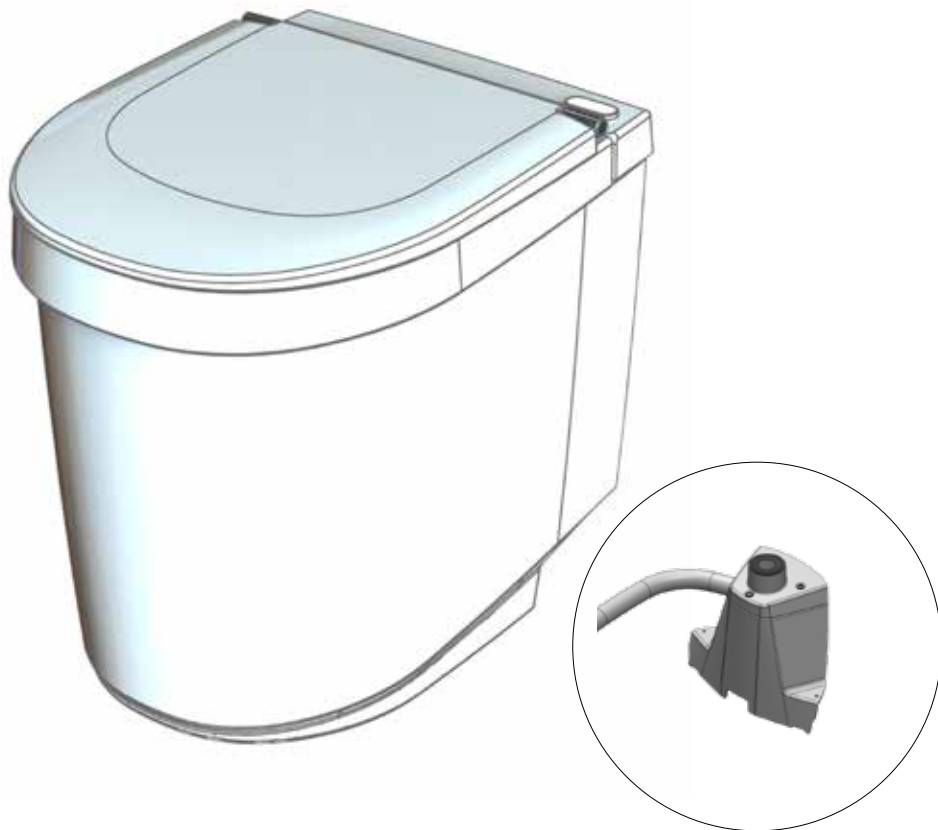
# Tiny®

by Separett®

---

Installation manual  
Installationsmanual  
Asennusopas  
Installasjonsmanual

Installationsanleitung  
Installation manuel  
Manual de instalación



*Tiny with urine tube art.no. 1271*



## WARNING!

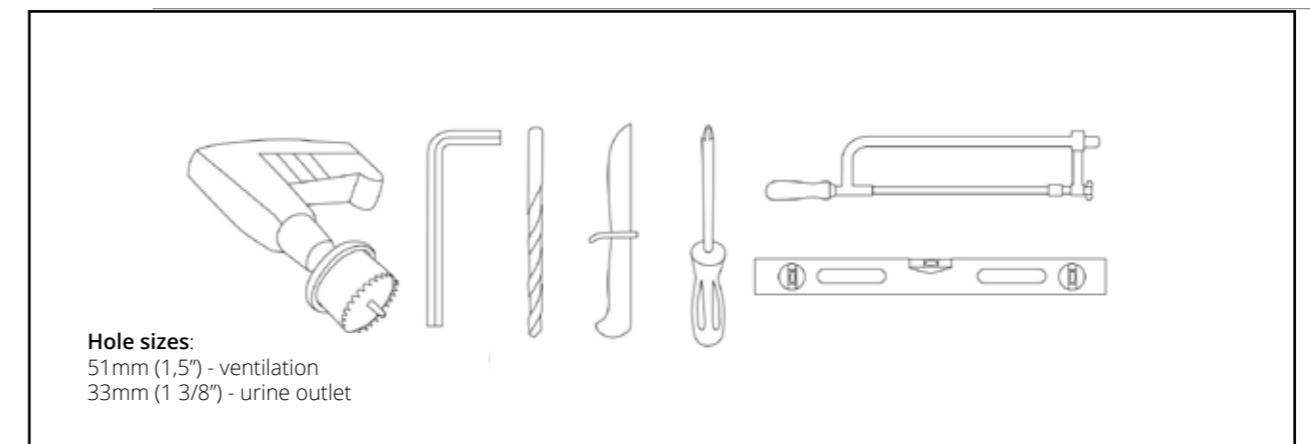
Before making holes in walls or floors. Ensure that the location for wall penetration allows for a hole to be made and that the piping meets construction regulations. Keep in mind that the wall may conceal, for example: electrical wiring, piping, waterproofing, load-bearing construction.

**IMPORTANT!** Always consult your local environmental office to find out what rules apply in your municipality. Always follow local regulations. Please view our installation video at [www.separett.com](http://www.separett.com)



To make sure the toilet stays odor free, the fan in the toilet should always be running for it to ventilate and receive fresh air to ventilate out. To achieve this, the following is required:

1. No other fan/ventilation system may affect the same room.
2. Ensure that fresh air from the outside enters the room. The air entry point should be as close to the toilet as possible.

## Useful tools



## Included with the product

|  |   |   |   |
|--|---|---|---|
| 1 x 90-degree connection                                 |    | 1 x Pipe cap with insect net 50 mm/1.5" |    |
| 1 x Ventilation pipe 40 cm (15.75")                      |    | 1 x Ventilation cowl 50 mm/1.5"         |    |
| Sample drain cleaner                                     |    | 2 x Screw for ventilation cowl          |    |
| Sample of Bio bags                                       |    | 1 x Installation template               |    |
| Sample Absorb pad  |    | 1 x Power adapter                       |   |
| 1 x Urine bowl extension                                 |  | 1 x Fan filter                          |  |
| 3 x Mounting screws for wall or floor mountings          |  | 1 x Urine hose                          |  |
| 1 x Lid for solid waste container                        |  | 1 x Straight joint 32 mm pipe           |  |
| 1 x Adaptor ventilation pipe 50 mm to 1.5" (schedule 40) |  | 1 x 90-degree joint 32 mm pipe          |  |
| 1 x Basket for bioblock                                  |  |   |   |

## Installation steps

*Please read more under each heading*

1. Toilet placement
2. Make holes according to the installation template
3. Install ventilation pipe
4. Install urine hose
5. Install ventilation pipe cap or ventilation cowl
6. Power supply for toilet
7. Connect the toilet to the ventilation pipe and urine tube
8. Fix the toilet to the wall and/or floor
9. Install fixed fan filter
10. Place basket in the urine drain

## Toilet placement

Separett Tiny has no requirements for room temperature and works in both cold and warm spaces. The only requirements are that you must be able to lead the urine away and fit a ventilation pipe.

The toilet is made to be placed on the floor against the wall, and for extra stability it should be attached either to the floor, wall or both.

## Make holes according to installation template

The enclosed installation template shows possible installation options for urine drains and ventilation pipes through the wall behind the toilet or through the floor. These options enable an installation without visible pipes.

## Install ventilation pipe

The toilet is designed for 50 mm pipes (outer diameter). For optimal function it is recommended that you use Separett's own installation kit that has pipes and angles in the correct dimensions.

Separett Tiny can be installed with up to 5 meters of ventilation piping and 2 90-degree bends. Ventilated air can go through a wall, floor or roof, for example, up into an attic and out through a suitable side of the house. If there is already a ventilation pipe present from a previous toilet installation, the toilet may be connected to that duct, provided that it is not smaller than 50 mm and that it meets the piping requirements. Should you need longer piping that exceeds the recommendations above, you may install an extra fan (art. no.: 13008)

The toilet comes with a coupling for connecting the included 40 cm-long 50 mm pipe to a 1.5 inch pipe (schedule 40). For more information on this, please read section X.

### X. When connecting the toilet to 1.5 inch pipes

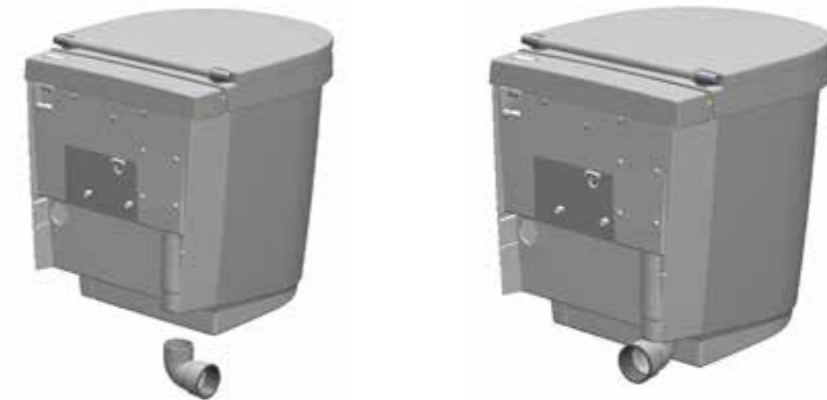
*Ensure as short and simple a piping as possible, as the inner diameter of these pipes is smaller than the pipes in the Separett ventilation kit, hence the air-flow restrictions. For these installations, a maximum of 4 meters of pipe and 2 90-degree bend is recommended.*

This toilet is designed for direct connection with 50 mm pipes. A coupling to connect the toilet to a 1.5 inch pipe (schedule 40) is also included. The included 50 mm pipe is to be connected to the toilet or to the supplied 90-degree bend. The 50 mm pipe should be cut to a suitable length. Use a coupling to continue the installation with 1.5 inch pipes (schedule 40).

1.5 inch pipes (schedule 40) have a smaller inner diameter and when using these pipes, as short and simple installation as possible is desirable to ensure high functionality. The total length of the pipes must be less than 4 meters and a maximum of 2 x 90-degree bends is recommended.

## Installation without visible pipes

The included 90-degree bend is used to lay pipes backwards or to the side. The bend is placed as shown below and turned in the rearward direction. The bend can be difficult to get in place. Vaseline or a similar product may be used to facilitate the assembly.



The supplied ventilation pipe is then connected to the 90-degree bend. The pipe is 40 cm (15,7") long, which generally is enough to reach through an outer wall. If additional pipes are needed to direct the air out of the house, the Separett ventilation kit (art. no. 1344) is recommended for Tiny. It includes 4 meters of piping and bends to ensure a simple extended installation. These can also be used to extend the piping onto the facade of the house. Please note that as short an installation as possible is recommended to guarantee full function throughout the year.



If the installation is to go through the floor, the pipe should be connected directly to the toilet, as shown below.

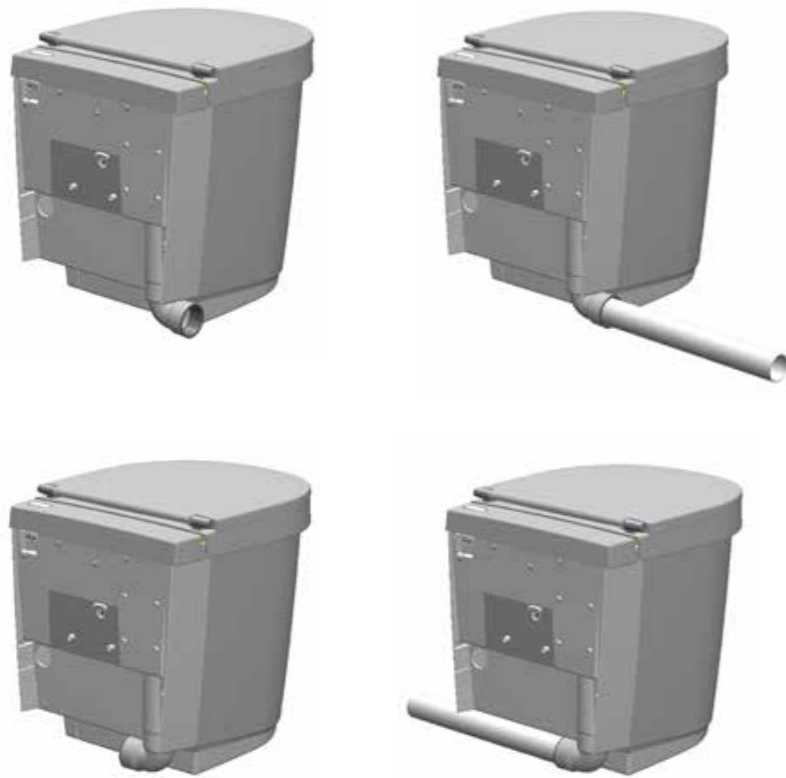
The picture below shows what a connection to Tiny can look like.



## Alternative installation – visible pipes

In cases where installation with hidden pipes is not possible, the ventilation duct is guided to the right or left by turning the 90-degree bend according to the pictures below. The piping must then be carried out in accordance with the recommendations for the installation of ventilation pipes.

If additional pipes are needed to direct the air out of the house, the Separett ventilation kit (art. no. 1344) is recommended for Tiny. It includes 4 meters (13 ft) of piping and bends to ensure a simple extended installation. These can also be used to extend the piping onto the facade of the house. Please note that as short an installation as possible is recommended to guarantee full function throughout the year.



## Install urine hose

The toilet is delivered with a 2-meter (6,6 ft) urine hose. To connect this to the toilet, use the included straight joint or the 90-degree joint. Like the installation of the ventilation pipes, it is possible to connect the urine tube so that no pipe is visible where the toilet is installed. This is achieved by angling the 90-degree connection downwards or using the straight connection, as shown in the pictures below.

### Recommendations for installation of urine hose

As with the ventilation duct, Tiny provides the option of installing the urine hose without any visible pipes/tubes in the bathroom. Below are a few tips that should be followed to maintain a well-functioning urine outlet over time and all year round.

- If you are going to go through an insulated wall or a wall with an air gap between the inner and outer wall, you must use a pipe for the penetration, or lead the hose through a pipe. Pipes are used to reduce the risk of pests causing damage to the tube.
- If you are going to run the urine a longer distance than the 2 meters (6,6 ft) of the supplied hose, you should switch to a pipe after the 2 meters (6,6 ft). Since urine contains minerals that can accumulate in pipes/hoses, we recommend that the subsequent pipe have a diameter of at least 40 mm to avoid blockages.
- Make sure that you always have a downward inclination of at least 2 degrees (2 cm per meter or 0,8 inch per 40 inch) throughout the piping, also make sure that there are no air pockets created by bends in the hose.
- If the toilet is to be used in winter, outdoor pipes must have a diameter of at least 40 mm (1,6").
- If the toilet is to be used in winter, we recommend that you insulate outdoor pipes with pipe insulation. This insulation can be bought in most DIY stores.
- An important rule for longer installations (over 2 meters (6,6ft)) is that the sooner you switch to pipes with a larger diameter, the lower the risk of blockages in the pipes.
- Do not place pipe joints near electrical appliances or wall sockets. This is to prevent liquid from coming into contact with electricity in the event of a leak.

## Installation without visible urine hose

For installation without visible pipes, the 90-degree bend is used to guide the urine downwards or the straight joint to go backwards as shown in the pictures below. Use the enclosed installation template to make holes in the wall or floor in the correct positions.



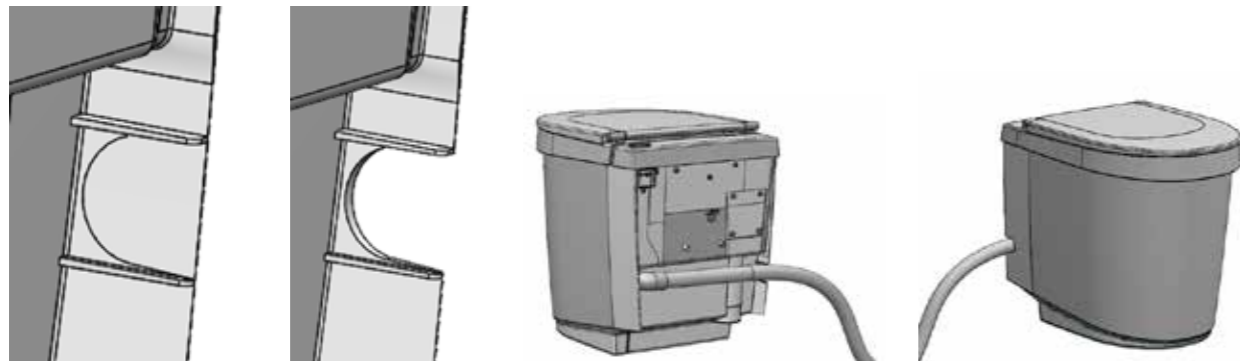
## Installation with visible urine hose

In cases where installation without visible pipes is not possible, a 90 degree bend is used to install the urine hose to the side (right or left) according to the pictures below.



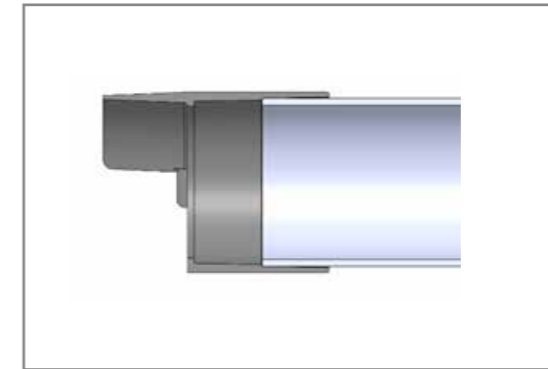
If the urine hose is to be laid sideways and the toilet is to be installed against the wall, the urine hose must be led through the side of the toilet, which requires a hole to be made in the plastic. For optimal results, use the same drill you would use for making holes in the wall. The toilet has marks on either side to show where the hole should be made, see pictures below. If you find it difficult to drill from the inside, use a smaller drill to make a small hole in the center, and then continue to drill from the outside. Use a knife or sandpaper to get a good border.

If the urine hose is to be led further within the room, use the supplied Wall mount for urine hose. Make sure that the urine hose has a downward inclination all the way and that you have read through the recommendations for installing the urine hose.

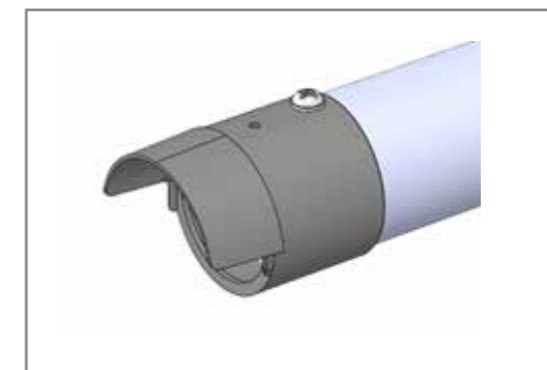
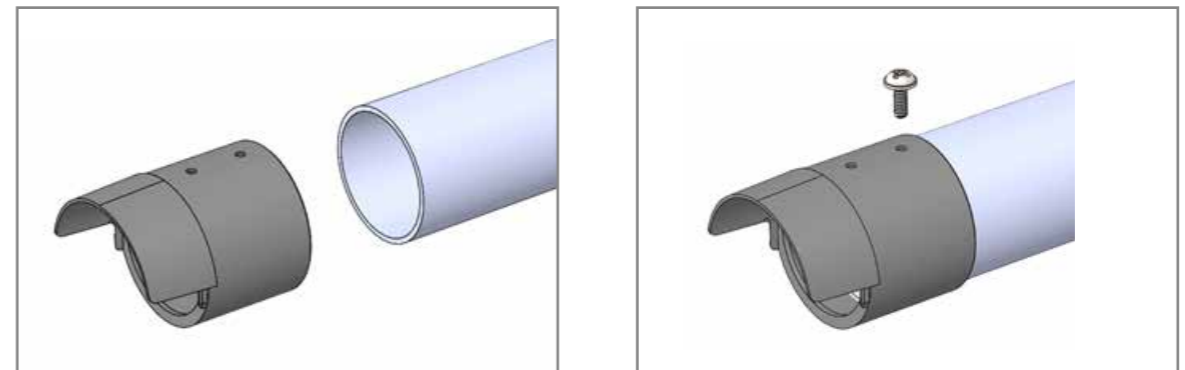


## Installation of pipe cap or ventilation cowl

It is important to ensure that the end of the ventilation pipe is protected from rain and snow, and prevents insects from entering the toilet. To achieve this, the toilet comes with a pipe cap that is equipped with an integrated insect net. This pipe cap should be used when the pipe end is horizontal and must be mounted with the screen upwards to ensure protection from rain and snow. The pipe cap fits both 50 mm and 1.5 inch pipes. 50 mm pipes go half way in and 1.5 inch pipes go all the way in. See picture below.



The pipe cap can be fixed to the pipe through the visible screw markings.

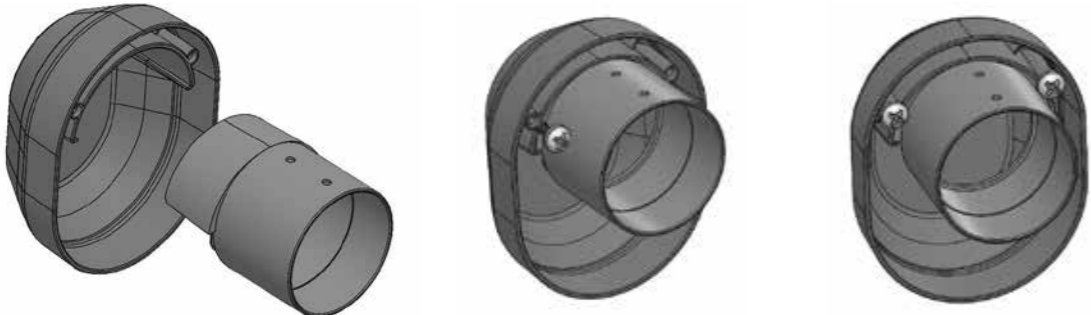


When the pipe end is vertical, the supplied ventilation cowl is to be used together with a pipe cap to ensure that rain and snow do not enter the pipe.

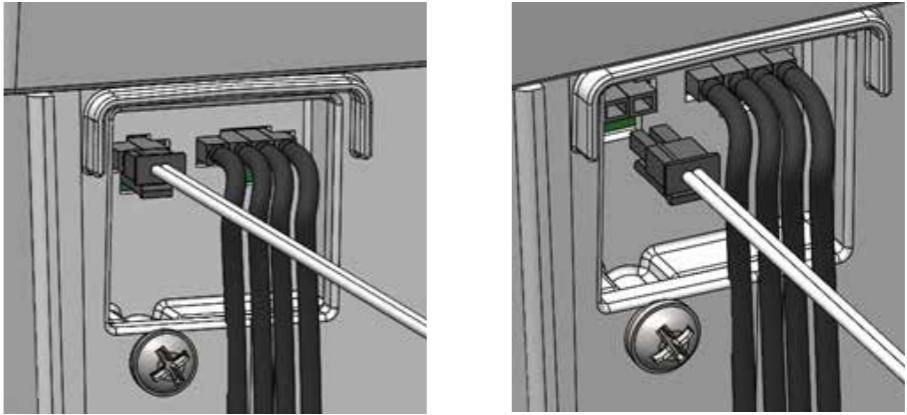
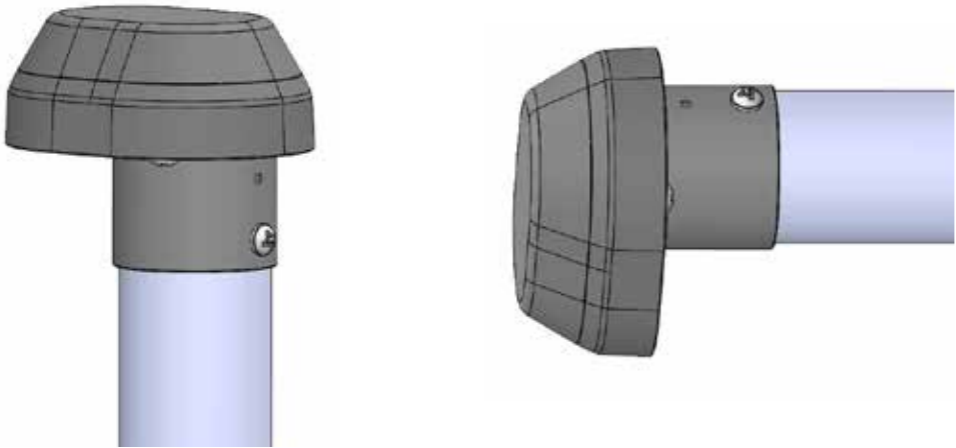
Pipe cap and ventilation cowl are mounted together with the two supplied screws as shown below.

# Power supply for toilet

If the toilet is to be mounted against a wall, a power cord must be connected to the toilet before it is mounted. After wall mounting, the connection is not accessible.



The assembled parts are then mounted as pipe ends in the same way as shown in previous sections. It is also possible to use the ventilation cowl at a horizontal pipe end in more demanding conditions to ensure better protection against weather and wind.

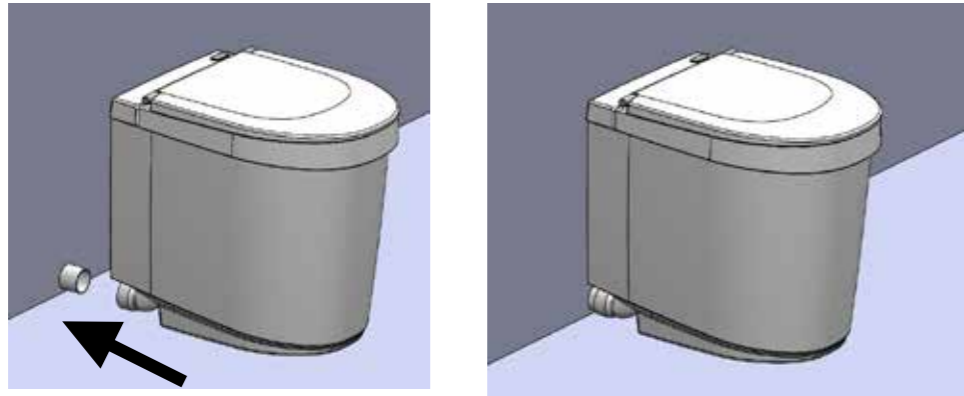


The toilet must be connected to a power source. The toilet comes with a power adapter for 110–240 V and a 12 V battery cable. Regardless of the power source, the chord must be connected to the back of the toilet, at the marked input in the picture above. Make sure that the plug is properly connected.

*Verify that the toilet is receiving power by checking that air is exiting the ventilation outlet.*



## Connect the toilet to the ventilation pipe and urine tube



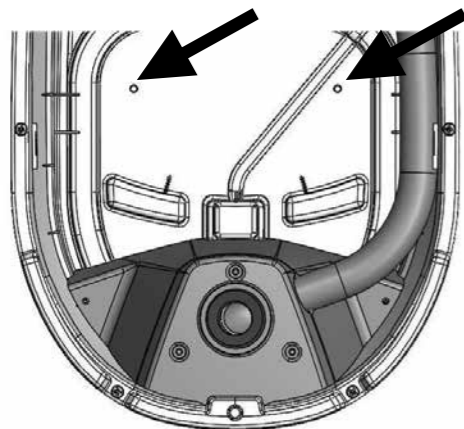
## Toilet mounting

**IMPORTANT!** Connect the power cord to the toilet before mounting it. After mounting, you will not have access to the back of the toilet where the cable is to be connected.

Tiny is designed to be fixed to the floor or to the wall. For maximum stability, both options can be combined.

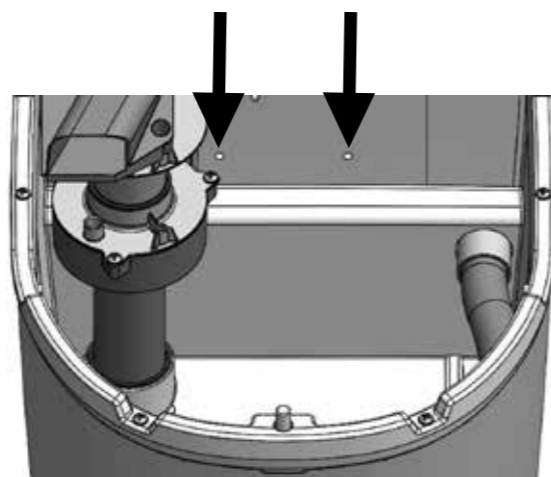
### Floor

To attach the toilet to the floor, use the supplied screw or other screw suitable for the purpose. There are two intended screw holes in the bottom of the toilet, the plastic in the middle of the hole is removed with a suitable tool.



### Wall

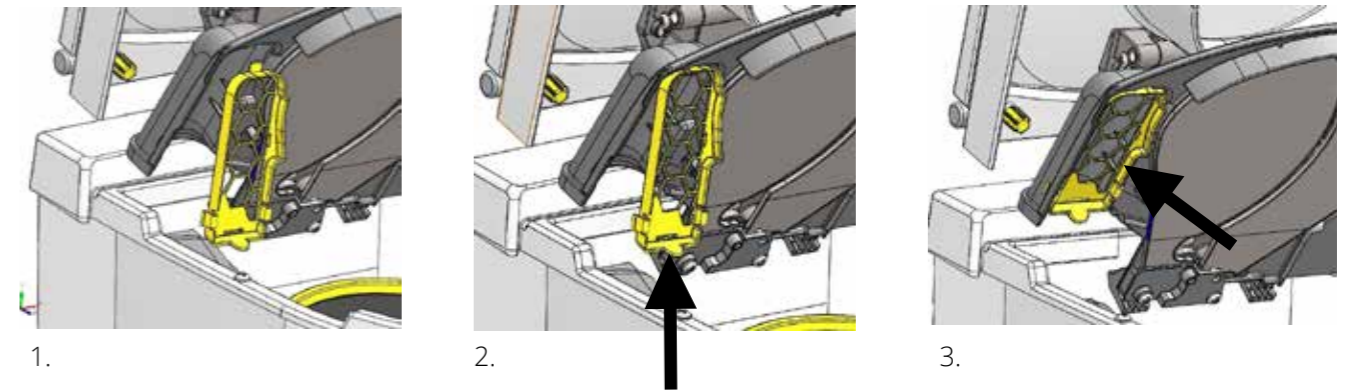
Use the following holes to mount the toilet to the wall.



## Install the fixed fan filter

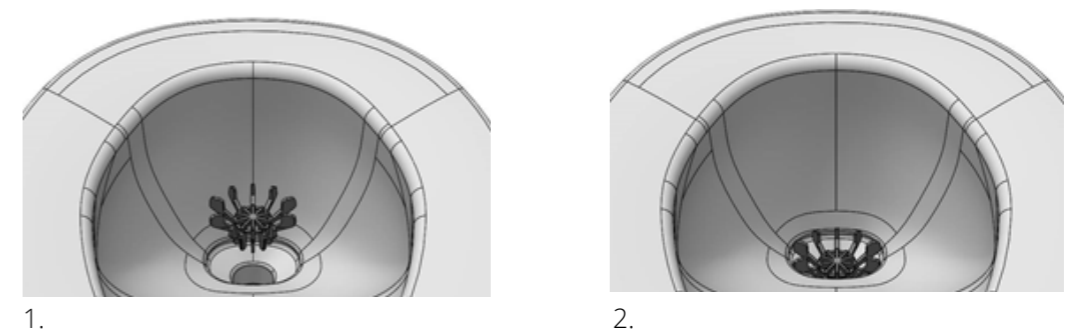
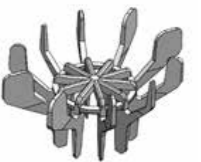
The toilet is continuously ventilated to ensure an odor-free bathroom as well as drying out waste. To protect the fan from dirt and dust resulting from use, there is a filter in the air duct. This filter is not pre-installed but must be installed on site as shown below. The filter should be cleaned regularly to maintain its proper functioning.

To install the yellow fan filter in the toilet, follow the steps below:



## Place basket in the urine drain

Place the supplied basket in the urine drain. The net ensures that no large objects enter the urine outlet. The basket is designed to perfectly fit a Separett Bio Drain Cleaner.







## **VARNING!**

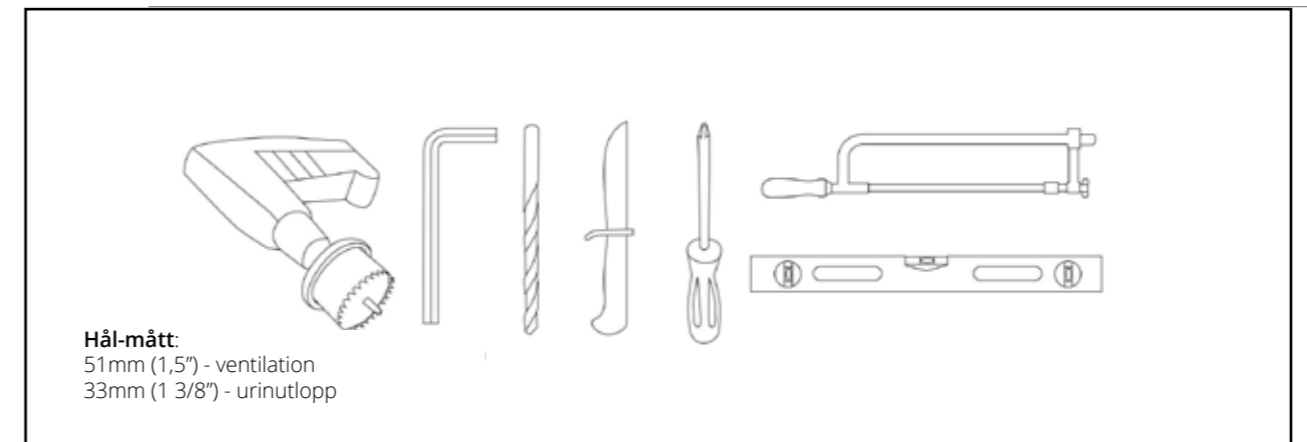
Innan du gör hål i väggar eller golv. Tillse att platsen för väggenomföring tillåter att ett hål görs och att rördragningen uppfyller eventuella byggkrav. Tänk på att väggen kan dölja exempelvis: el-dragning, rördragning, tätskikt, bärande konstruktion.

**OBS!** Fråga alltid miljökontoret vilka regler som gäller i din kommun. Följ alltid lokala föreskrifter. Se även installationsfilm på [www.separett.com](http://www.separett.com)

För att toaletten ska vara doftfri så krävs det att fläkten i toaletten konstant är igång så att den ventilerar och kan få ny luft att ventileras ut. För att uppnå detta så krävs följande:

1. Ingen annan fläkt/ventilation får vara i samma utrymme som också ventilerar ut luft.
2. Tillse att det kommer in ny luft utifrån till utrymmet. Inluften ska vara så nära toaletten som möjligt.

## **Användbara verktyg**



## Detta medföljer produkten

1 x 90 graders-anslutning



1 x Ventilationsgaller 50mm/1,5"



1 x Rör väggenomföring  
40cm (15,75")



1 x Vindhuv Tiny



Varuprov Avloppsrens



2 x Skruv för vindhuv



Varuprov Komposterbar påse



1 x Installationsmåttskiss



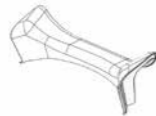
Varuprov Absorberingsduk



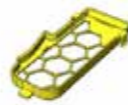
1 x Batterieliminators



1 x Urinskålsförlängare



1 x Fläktfilter



3 x Monteringskruvar till vägg-  
eller golvfästen  
(inklusive plugg och bricka)



1 x Urinslang



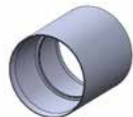
1 x Lock avfallsbehållare



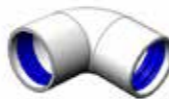
1 x Rakskarv 32mm rör



1 x Röradapter 50mm till 1,5"  
(schedule 40)



1 x 90 gradersskarv  
32mm rör



1 x Korg för avloppsrens Tiny



## Steg för installation

Läs mer under varje rubrik

1. Placering av toalett
2. Gör hål efter måttskiss
3. Rördragning av ventilation
4. Dra urinledning
5. Montera ventilationsgaller eller vindhuv
6. Strömsätt toaletten
7. Anslut toaletten till ventilationsrör och urinledning
8. Fixera toaletten i vägg- och/eller golv
9. Montera fast fläktfilter
10. Placera korg för avloppsrens

## Placering av toalett

Separett Tiny har inga krav på rumstemperatur och fungerar i både kalla och varma utrymmen. Kraven är att det finns möjlighet att leda bort urinen och montera ett rör för ventilation.

Toaletten är gjord för att stå på golv mot vägg och ska för extra stabilitet fästas antingen i golv, vägg eller både och.

## Gör hål efter måttskiss

Medföljande måttskiss visar möjliga installationsalternativ för urinavlopp och ventilationsrör genom vägg bakom toaletten eller genom golv. Dessa alternativ ger en installation utan synliga rör.

## Rördragning av ventilation

Toaletten är konstruerad för 50 mm rör (yttermått). För optimal funktion rekommenderas Separetts egna installationskit med rör och vinklar i korrekt dimension.

Separett Tiny kan installeras med upp till 5 meter ventilationsrör samt 2 st 90-gradersböjar. Utluftning kan ske genom vägg, golv eller tak, till exempel upp i kallvind och ut genom lämplig sida av huset. Finns rör för ventilation sedan en tidigare toalettinstallation kan toaletten anslutas till den kanalen förutsatt att den inte är mindre än 50mm och att den uppfyller kraven för rördragning. Vid behov av längre rördragning som överskrider rekommendationerna ovan så kan man installera en extra fläkt (art. nr: 13008)

Med toaletten medföljer koppling för att ansluta det medföljande 40 cm långa 50mm röret till 1,5 tums-rör (scheduling 40). För mer information om detta, läs avsnitt X.

### X. Vid anslutning av toaletten till 1,5 tums-rör

*Tillse en så kort och enkel rördragning som möjligt då innerdiametern på dessa rör är mindre än rören i Separetts ventilationskit, därav luftflödesbegränsningar. Vid dessa installationer rekommenderas max 4 meter rör och 2st 90 graders böj.*

Toaletten är designad för direktanslutning av 50 mm rör. Medföljer i toaletten gör också en koppling för att ansluta 1,5 tums-rör (scheduling 40) till toaletten. Det medföljande 50mm-röret används för att ansluta till toaletten eller den medföljande 90-gradesböjen. 50 mm röret kapas med fördel till lämplig längd. Använd koppling för att fortsätta installationen med 1,5 tums-rör (scheduling 40).

1,5-tums rör (scheduling 40) har en mindre inre diameter och vid användning av dessa rör ska en så kort och enkel dragning som möjligt eftersträvas för att uppnå god funktion. Rörens totala längd ska understiga 4 meter och max 2 90 graders böj rekommenderas.

## Installation utan synliga rör

För att dra rör bakåt eller åt sidan används den medföljande 90-gradersböjen. Böjen placeras enligt bild nedan och vrids i riktning bakåt. Böjen kan upplevas svår att få på plats, för att underlätta monteringen kan exempelvis vaselin användas.



Till 90-gradersböjen ansluts sedan det medföljande ventilationsröret. Röret är 40 cm långt och i normalfall är detta tillräckligt för att nå genom yttervägg. Behövs ytterligare rör för att leda luften till husets utsida rekommenderas Separetts ventilationssats (art. nr 1344) för Tiny. Där ingår 4 meter rör och skarvrör för att tillse en enkel vidare installation. Dessa kan även användas för att föra vidare rördragningen på husets fasad. Notera att en så kort installation som möjligt rekommenderas för att garantera full funktion under hela året.



Om installationen ska gå genom golvet ansluts röret direkt in i toaletten enligt bild nedan:

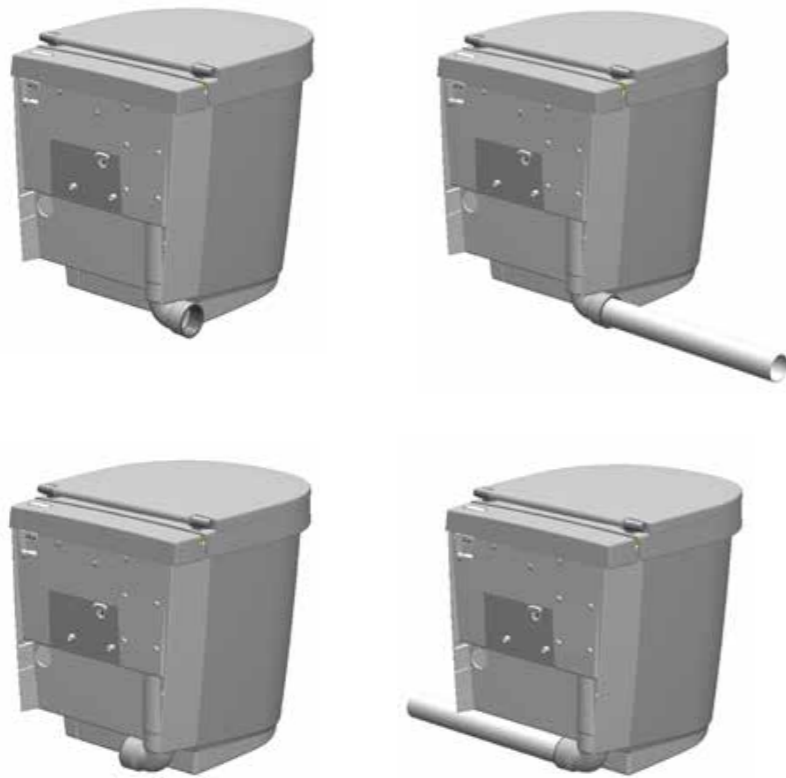
Bilden nedan visar hur en anslutning till Tiny kan se ut:



## Alternativ installation – synliga rör

I fall där installation med dolda rör ej är möjlig leds ventilationskanalen i riktning åt höger eller vänster genom att 90-gradersböjen vrids enligt bilderna nedan. Rördragningen ska sedan göras enligt rekommendationer för dragning av ventilationsrör.

Behövs ytterligare rör för att leda luften till husets utsida rekommenderas Separett's ventilationssats för Tiny. Där ingår 4 meter rör och skarvrör för att tillse en enkel vidare installation. Dessa kan även användas för att föra vidare rördragningen på husets fasad. Notera att en så kort installation som möjligt rekommenderas för att garantera full funktion under hela året.



## Dra urinledning

Toaletten levereras med en urinslang på 2 meter. För att ansluta denna till toaletten används medföljande rakskarv eller 90 graders skarv. Likt installation av ventilationsrör finns möjlighet att ansluta urinledningen så att ingen ledning behöver synas i det utrymme där toaletten står installerad. Detta uppnås genom att vinkla 90-gradersanslutningen nedåt eller bakåt enligt bilderna nedan.

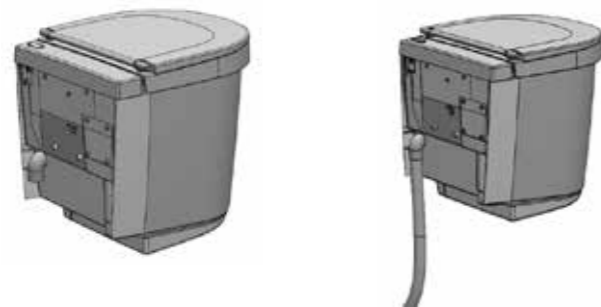
### Rekommendationer vid montering av urinledning

Likt ventilationsdragningen finns med Tiny möjlighet att dra sin urinledning utan att några synliga rör finns i toalettutrymme. Nedan följer ett antal råd som bör uppfyllas för en god funktion hos urinledningen över tid och året om.

- Om du ska gå genom isolerad vägg eller en vägg med luftspalt mellan inner och yttervägg måste du använda rör vid genomföringen alternativt leda slangen genom ett rör. Rör används för att minska risken för att skadedjur orsakar skador på ledningen.
- Om du ska leda urinen en sträcka längre än de 2 meter som den medföljande slangen når, så ska du efter 2 meter övergå till rör. Eftersom urin innehåller salter som kan ansamlas i rör/slang så rekommenderar vi vid längre installation än 2 meter att det efterföljande röret har en diameter på minst 40 mm för att undvika att stopp uppstår.
- Tillse att du alltid har ett fall på minst 2 grader hela rördragningen, tillse också att inga luftfickor skapas genom att slangen kröker sig.
- Om toaletten ska användas vintertid så ska rör som dras utomhus ska ha en diameter om minst 40 mm.
- Om toaletten ska användas vintertid rekommenderar vi att de delar av röret som befinner sig utomhus isoleras med rörisolering. Isoleringen går att köpa i de flesta byggvaruhus.
- En viktig regel vid längre installationer (över 2 meter) är att desto tidigare man övergår till rör med en större diameter, desto mindre kommer risken för stopp i rören att vara.
- Placera inga rörskarvar i närhet av elektriska apparater eller vägguttag. Detta för att undvika att vätska vid ett eventuellt läckage kommer i kontakt med el.

## Montering utan synlig urinledning

För montering utan synliga rör används 90-gradersböjen för att leda urinen nedåt eller rakskarv för att gå bakåt enligt bilderna nedan. Använd medföljande installationsmåttsskiss för att placera hål i vägg eller i golv på rätt position.



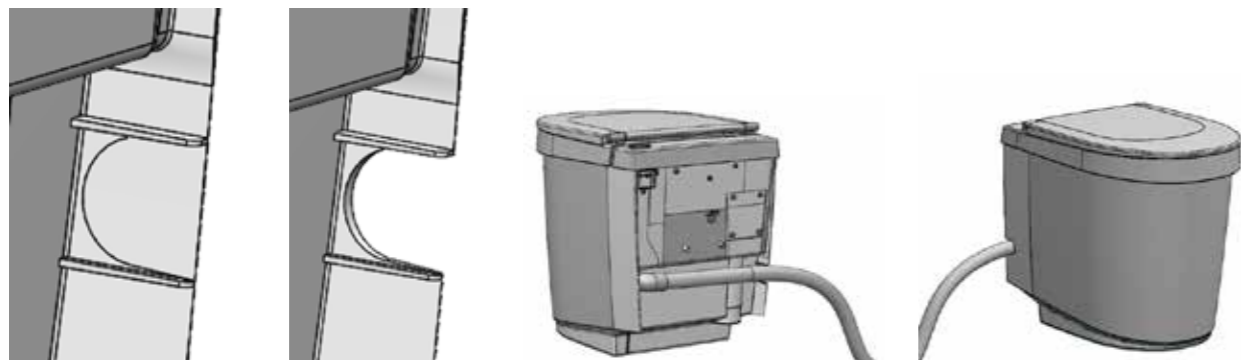
## Montering med synlig urinledning

I fall där montering utan synliga rör ej är möjlig används 90 gradersböj för att dra urinledningen åt sidan (höger eller vänster) enligt bilderna nedan.



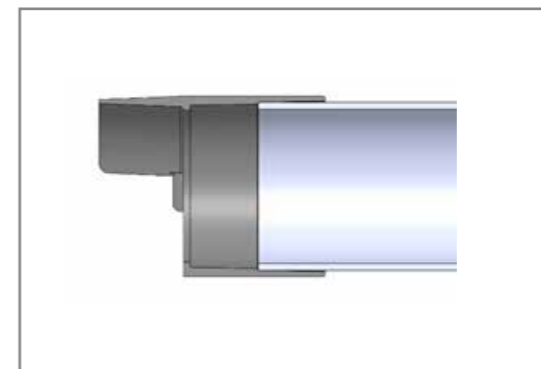
Om urinledningen ska dras i sidled och toaletten ska installeras mot väggen måste urinslangen ledas genom toalettens sida vilket kräver att ett hål görs i plasten. För bästa resultat använd samma borrhål som du använder när du gör hål i väggen. På varje sida av toaletten finns en anvisning som visar var hålet ska göras, se bilder nedan. Om det är svårt att komma åt med borren inifrån; använd en liten borrhål i centrum för att sedan borra utifrån. Använd kniv eller sandpapper för att få en fin kant.

Om urinledningen ska dras vidare i rummet använd medföljande Vägghäring för urinslang. Tillsäkra att ledningen har ett fall hela vägen och att du läst igenom rekommendationerna för dragning av urinledning.

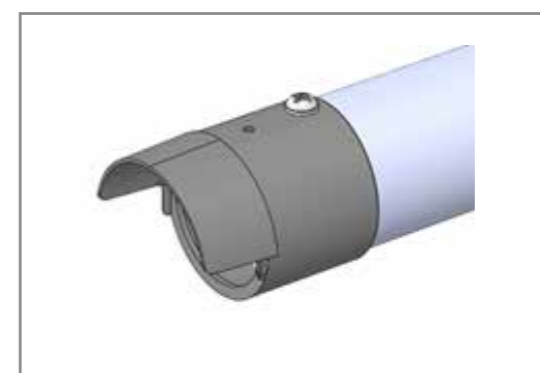
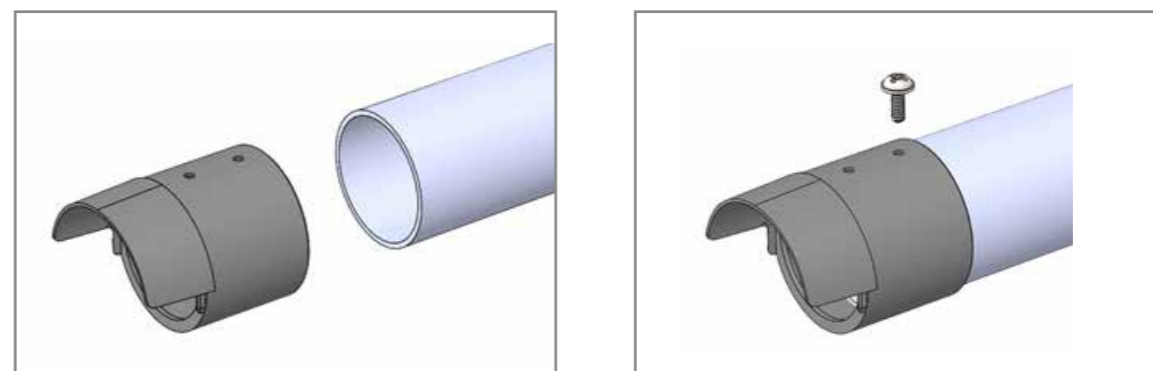


## Montering av ventilationsgaller / vindhuv

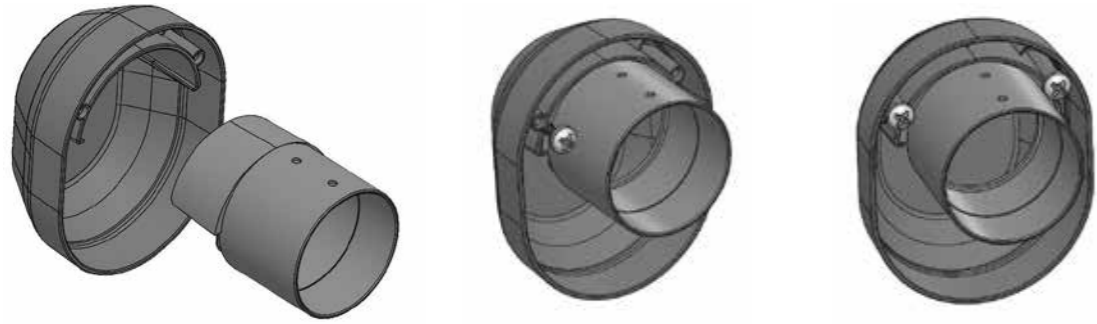
Det är viktigt att tillse att avslutet på ventilationsröret skyddas från regn, snö samt hindrar insekter från att ta sig in i toaletten. För att uppnå detta medföljer i toaletten ett ventilationsgaller med integrerat insektsnät. Detta ventilationsgaller används när röravslutet är horisontellt och ska monteras med skärmen uppåt för att skydda från regn och snö. Ventilationsgaller passar för både 50mm och 1,5 tums rör. 50mm-rör går in halva sträckan och 1,5-tums rör går hela sträckan. Se bild nedan.



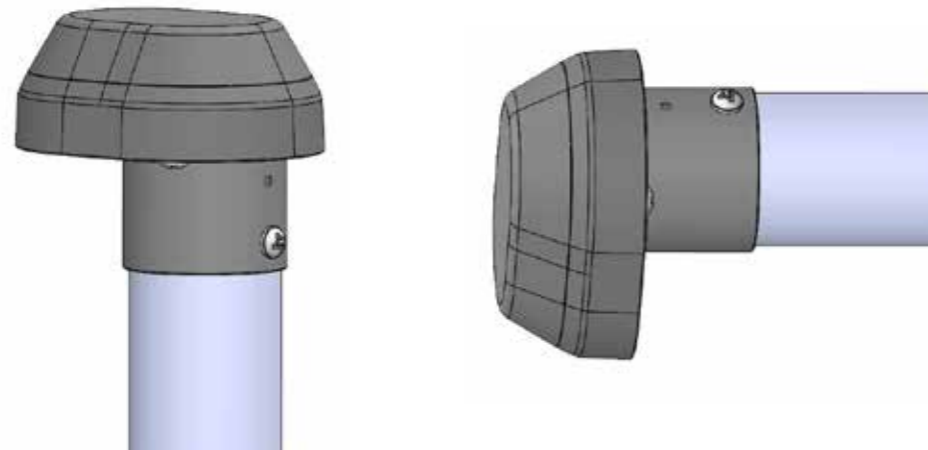
Ventilationsgaller går att fixera i röret genom att skruva fast röret i anvisningen på detaljen.



När röravslutet är vertikalt används medföljande vindhuv tillsammans med ventilationsgaller för att tillse att regn och snö inte kommer in i röret. Ventilationsgaller och huvan monteras samman med de två medföljande skruvarna enligt bild nedan.

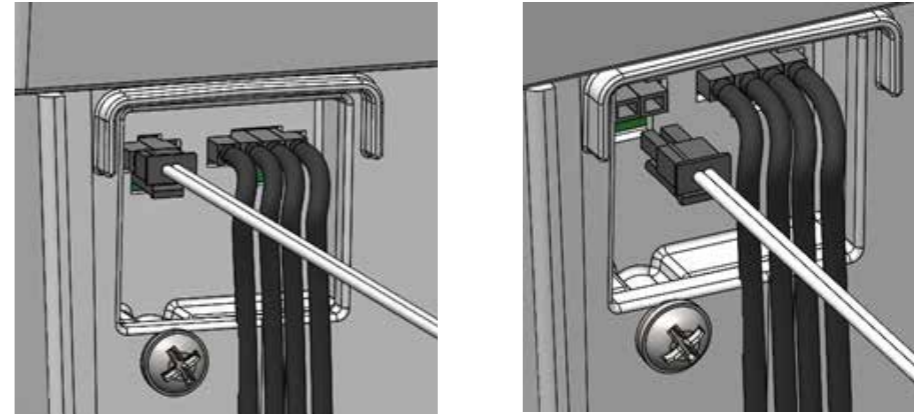


De sammansatta delarna monteras sedan som röravslut på samma vis som visat i tidigare avsnitt. Det är även möjligt att vid mer krävande förhållanden använda regnkåpan vid ett horisontellt röravslut för att tillse ett bättre skydd mot väder och vind.



## Strömsätt toaletten

Om toaletten ska monteras mot vägg ska strömsladd anslutas till toaletten innan den fixeras. Efter montering mot vägg är anslutningen inte åtkomlig.

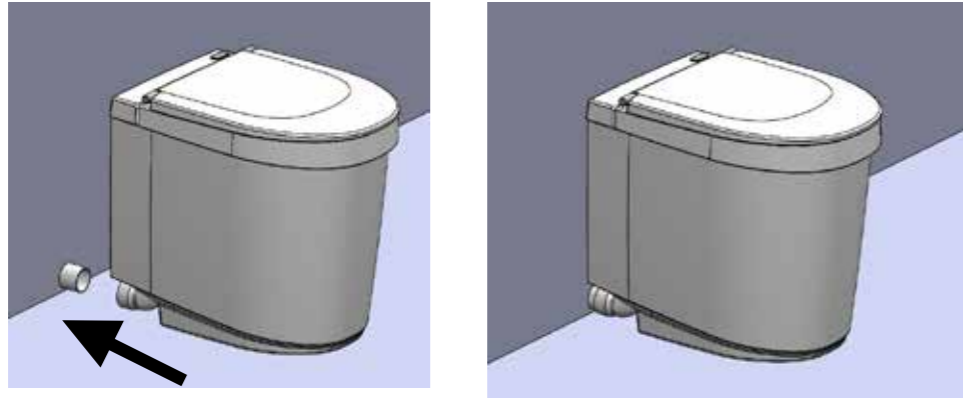


Toaletten måste anslutas till en strömkälla. Med toaletten medföljer batterieliminatör för 110-240V samt 12V batterikablage. Oavsett val av strömkälla ansluts kablagen på toalettens baksida vid den markerade ingången på bilden ovan. Tillse att kontakten fäster ordentligt.

*Kontrollera att toaletten får spänning genom att känna efter att det blåser utluft genom ventilationsutloppet.*



## Anslut toaletten till ventilationsrör och urinledning



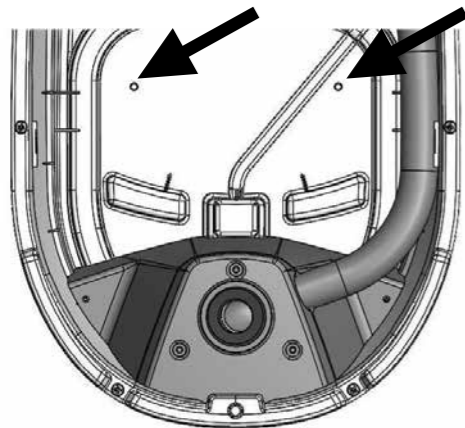
## Fixering av toalett

**OBS!** Anslut strömkabel till toaletten innan den fixeras. Efter fixering har man inte tillgång till bakstycket av toaletten där kabeln ansluts.

Tiny är konstruerad med möjlighet att skruva fast toaletten i golvet eller i väggen. För bästa stabilitet kan båda alternativen kombineras.

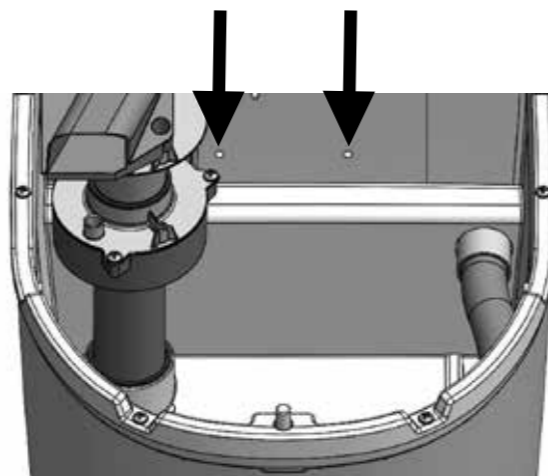
### Golv

För att fästa toaletten i golvet använd medföljande skruv eller annan för ändamålet lämplig skruv. Det finns två avsedda skruvhål i toalettens botten, plasten i hålets mitt avlägsnas med lämpligt verktyg.



### Vägg

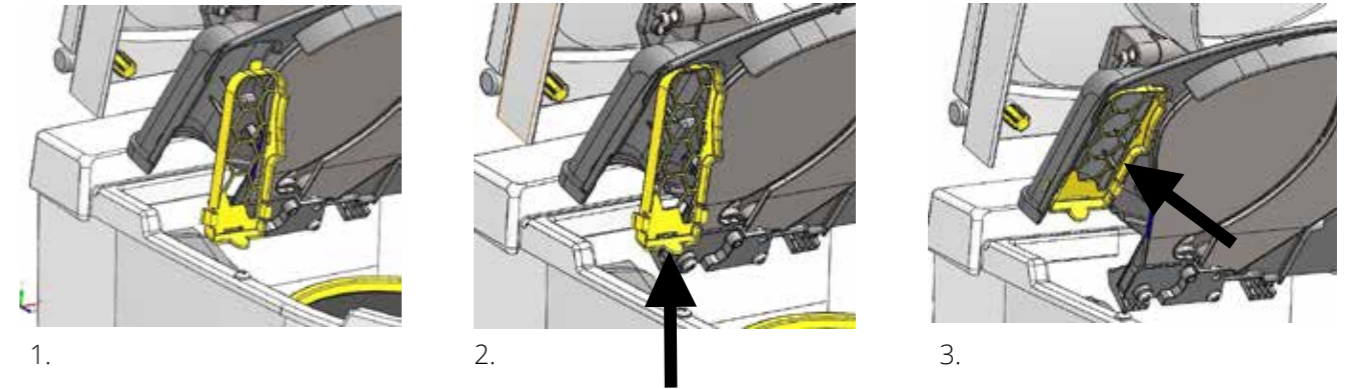
Skruva i följande hål för att fixera i vägg.



## Montera fast fläktfilter

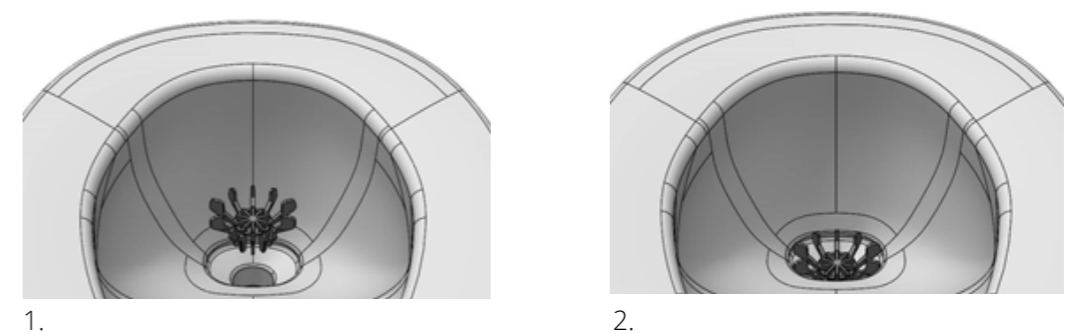
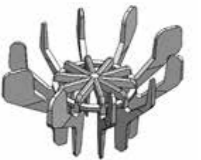
För att tillse ett doftfritt badrum samt en uttorkning av avfallet ventileras toaletten konstant. För att skydda fläkten från smuts och damm från användningen finns ett filter placerat i luftkanalen. Detta filter sitter inte monterat vid leverans utan monteras på plats enligt bild nedan. För god funktion bör filtret rengöras med jämna mellanrum.

För att montera in det gula fläktfiltret i toaletten, följ stegen nedan:



## Placera korg för avloppsrens

Placera den medföljande korgen för Avloppsrens i urinskålen. Nätet tillser att inga större föremål tar sig ner i urinledningen.





## **VAROITUS!**

Ennen kuin teet reikiä seiniin tai lattiaan varmista, että putki voidaan asentaa suunnitellun läpiviennin kohtaan, ja että putkisto täyttää mahdolliset rakennusvaatimukset. Muista, että seinän takana piilossa voi olla esimerkiksi: sähköjohto, putki, vesieriste tai kantava rakenne.

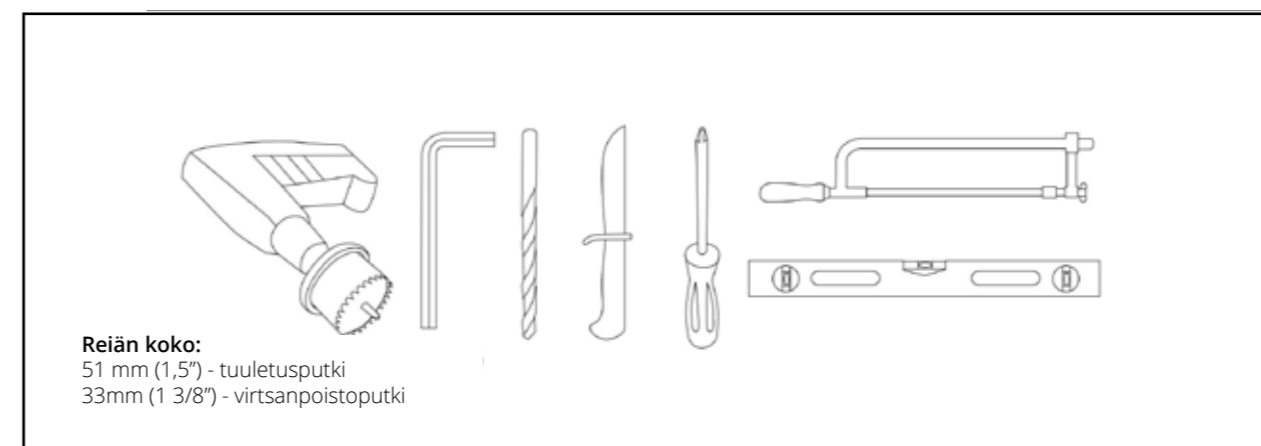
**HUOM!** Varmista voimassa olevat ympäristömääräykset aina paikallisilta viranomaisilta. Noudata aina paikallisia määräyksiä.

Katso myös asennusvideo sivulta [www.separett.com](http://www.separett.com)

Jotta käymälä olisi hajuton, on käymälän tuulettimen oltava jatkuvasti päällä. Lisäksi tarvitaan korvausilmaa. Tätä varten on tarkistettava seuraavat asiat:

1. Tilassa ei saa olla tuuletinta tai muita ilmanvaihtojärjestelmiä.
2. Varmista, että käymälätilaan tulee korvausilmaa ulkopuolelta. Tuloilman aukon on oltava mahdollisimman lähellä käymälää.

## **Sopivia työkaluja**





## Tuotteen mukana toimitettavat osat

|  |   |   |   |
|--|---|---|---|
| 1 x 90 asteen mutkaputki, Ø50 mm                 |    | 1 x Tuuletusputken pää vaakavetoon 50 mm / 1,5" |    |
| 1 x 40 cm putki seinän läpivientiin, Ø50 mm      |    | 1 x Tuuletusputken hattu, Tiny                  |    |
| Tuotenäyte Biotabletti virtsamaljaan             |    | 2 x Tuuletusputken hatun ruuvi                  |    |
| Tuotenäyte Biosäkki käymälään                    |    | 1 x Asennussapluuna                             |    |
| Tuotenäyte Absorb-kosteudenpoistaja              |   | 1 x Verkkovirtamuuntaja                         |   |
| 1 x Virtsamaljan jatkopala                       |  | 1 x Tuuletinkanavan suodatin                    |  |
| 3 x Asennusruuvit seinä- tai lattiakiinnitykseen |  | 1 x Virtsanpoistoputki                          |  |
| 1 x Jäteastian kansi                             |  | 1 x Suora putkiliitos Ø32 mm                    |  |
| 1 x Putkisovitin Ø50 mm / 1,5" (sch 40)          |  | 1 x 90 asteen putkiliitos Ø32 mm                |  |
| 1 x Pidike biotabletille                         |  |   |   |

## Asennusvaiheet

### Lue lisää kustakin osiosta

Lue lisää kustakin osiosta

1. Käymälän sijoittaminen
2. Reikien teko asennussapluunan mukaisesti
3. Tuuletusputkisto
4. Virtsanpoiston veto
5. Tuuletusputken pään tai tuuletusputken hatun asennus
6. Virran kytkentä
7. Käymälän liittäminen tuuletusputkeen ja virtsanpoistoon
8. Käymälän kiinnittäminen seinään ja/tai lattiaan
9. Tuuletusputkiston suodattimen asennus
10. Virtsamaljan biotabletin pidikkeen asettaminen

## Käymälän sijoittaminen

Separett Tiny ei vaadi tiettyä huonelämpötilaa vaan se toimii sekä kylmissä että lämpimissä tiloissa. Vaatimuksena on mahdollisuus johtaa virtsa pois käymälästä ja vetää tuuletusputki ulos käymälätilasta.

Käymälä on tehty asetettavaksi lattialle seinää vasten, ja lisävakauden varmistamiseksi se on kiinnitettävä joko lattiaan, seinään tai molempiin.

## Reikien teko mittapiirroksen mukaisesti

Mukana oleva asennussapluuna näyttää mahdolliset asennusvaihtoehdot virtsanpoisto- ja tuuletusputkelle käymälän takana olevan seinän tai lattian läpi. Nämä vaihtoehdot tarjoavat asennuksen ilman näkyviä putkia.

## Tuuletuksen putkisto

Käymälä on suunniteltu 50 mm putkille (ulkomitta). Optimaalisen toiminnan takaamiseksi suositellaan Separettin omaa asennussarjaa, jonka putket ja kulmat ovat oikean mittaisia.

Separett Tiny voidaan asentaa enintään 5 metriä pitkällä tuuletusputkella ja kahdella 90 asteen mutkalla. Ilmanvaihto voi tapahtua seinän, lattian tai katon läpi, esimerkiksi ylös vintille ja ulos talon sopivan sivun läpi. Jos edellisestä käymäläasennuksesta on jäänyt tuuletusputki, käymälä voidaan liittää siihen kanavaan edellyttäen, että se on halkaisijaltaan vähintään 50 mm ja täyttää muut asennusta koskevat vaatimukset. Jos tarvitaan pidempi putkisto, joka ylittää yllä olevat suositukset, voidaan käymälään asentaa ylimääräinen tuuletin (tuotenumero: 13008-01)

Käymälän mukana toimitetaan sovitin Ø50 mm putken liittämiseksi Ø1,5 tuuman putkeen (sch 40). Lisätietoja voit lukea kohdasta X.

### X. Yhdistettäessä käymälä 1,5 tuuman putkeen

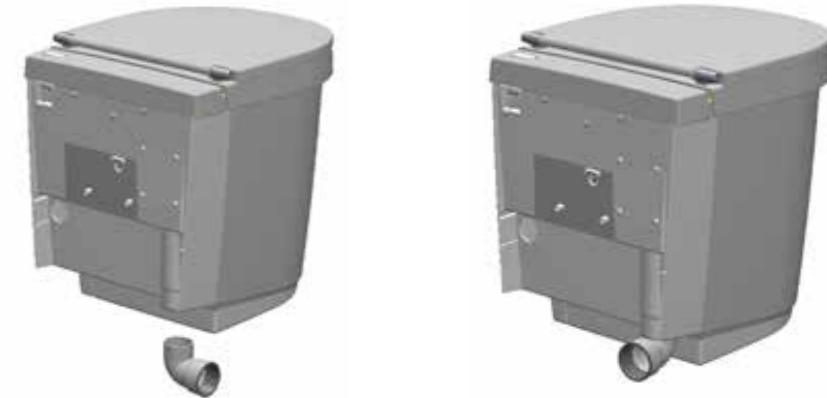
*Varmista, että putkisto on mahdollisimman lyhyt ja yksinkertainen, sillä 1,5 tuuman putken ilmanvastus on suurempi kuin Separettin tuuletussarjan putkissa putken pienemmän sisähalkaisijan takia. Näissä asennuksissa suositellaan käytettävän enintään 4 metriä putkea ja kahta 90-asteen mutkaa.*

Käymälä on suunniteltu 50 mm putken suoraa liittämistä varten. Käymälässä on myös liitin 1,5 tuuman putken (sch 40) liittämiseksi käymälään. Mukana toimitettua 50 mm putkea tai 90 asteen mutkaa käytetään käymälään liittämiseen. 50 mm putki katkaistaan sopivan pituiseksi. Käytä liitintä jatkaaksesi asennusta 1,5 tuuman putkella (sch 40).

1,5 tuuman putkilla (sch 40) on pienempi sisähalkaisija, ja näitä putkia käytettäessä on pyrittävä mahdollisimman lyhyeen ja yksinkertaiseen vetoon optimaalisen toimivuuden saavuttamiseksi. Putken kokonaispituuden on oltava maksimissaan 4 metriä, ja enintään kahta 90-asteen mutkan käyttöä suositellaan.

## Asennus ilman näkyviä putkia

Mukana olevaa 90 asteen mutkaa käytetään putken vetämiseksi taaksepäin tai sivulle. Mutka sijoitetaan alla olevan kuvan mukaan ja käännetään taaksepäin. Mutkaputken paikalleen asentaminen voi tuntua vaikealta ja asennuksen helpottamiseksi voidaan käyttää esimerkiksi vaseliinia.



90 asteen mutkaputken liitetään mukana toimitettu tuuletusputki. Putki on 40 cm pitkä ja tavallisesti sen pituus riittää ulkoseinän läpi. Jos ilman viemiseen ulos tarvitaan lisäputkia, suositellaan optimaalisen sopivuuden takia Separett- tuuletusputkisarjaa (tuotenumero 1344-01). Sarja sisältää 4 metriä putkea ja liitospaloja asennuksen jatkamiseksi. Niitä voidaan käyttää myös putkiston viemiseen talon sivulle. Huomaa, että suosittelemme mahdollisimman lyhyttä asennusta, jotta käymälä toimisi optimaalisesti vuoden ympäri.



Jos asennus tapahtuu lattian läpi, liitetään tuuletusputki suoraan käymälään alla olevan kuvan mukaisesti.

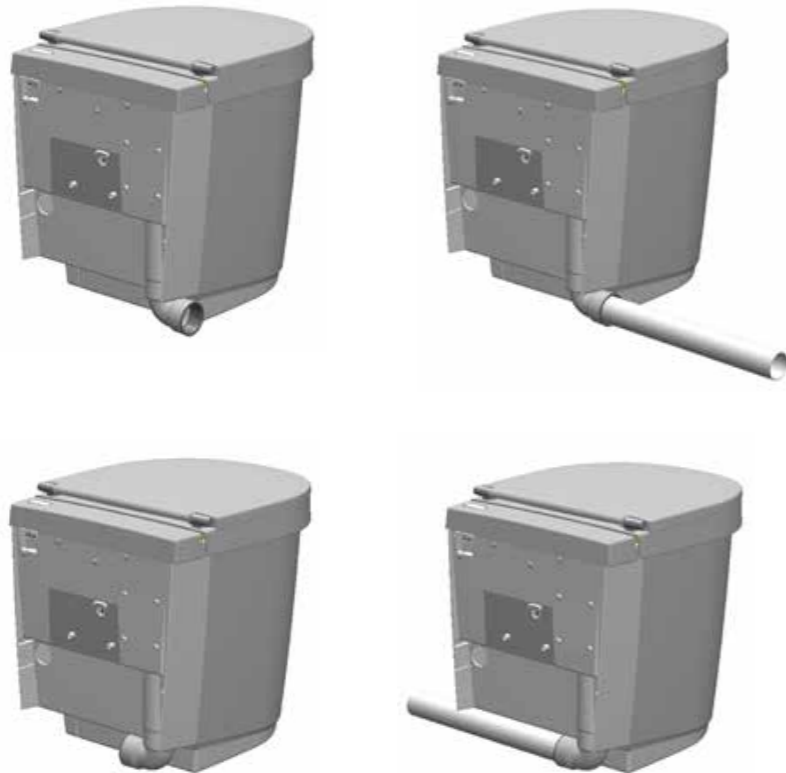
Alla oleva kuva näyttää, miltä putkiliitos Tinyyn voi näyttää.



## Vaihtoehtoinen asennus – näkyvät putket

Jos putkiston asennus piilovedoin ei ole mahdollista, johdetaan tuuletuskanava oikealle tai vasemmalle kääntämällä 90 asteen mutkaputkea alla olevien kuvien mukaisesti. Putkisto vedetään sen jälkeen tuuletusputkien asentamista koskevien suositusten mukaisesti.

Jos ilman viemiseen ulos tarvitaan lisäputkia, suositellaan optimaalisen sopivuuden takia Separett-tuuletusputkisarjaa (tuotenumero 1344-01). Sarja sisältää 4 metriä putkea ja liitospaloja asennuksen jatkamiseksi. Niitä voidaan käyttää myös putkiston viemiseen talon sivulle. Huomaa, että suosittelemme mahdollisimman lyhyttä asennusta, jotta käymälä toimisi optimaalisesti vuoden ympäri.



## Virtsanpoiston veto

Käymälän mukana toimitetaan 2 metrin virtsanpoistoletku. Liittääksesi tämän käymälään käytä mukana toimitettua suoraa tai 90-asteen liitospalaa. Samoin kuin tuuletusputken asennuksessa, voidaan virtsanpoisto asentaa niin, että putki ei ole näkyvissä käymälätilassa. Tämä saavutetaan kääntämällä 90 asteen liitäntä alaspäin tai käyttämällä suoraa liitospalaa alla olevien kuvien mukaisesti.

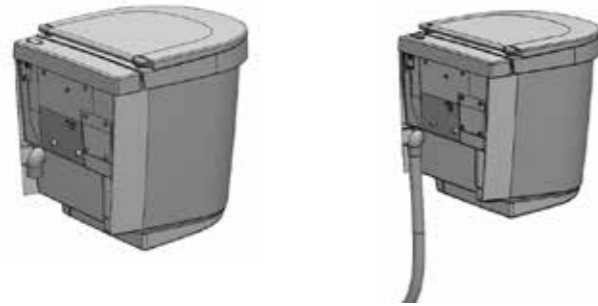
### Suosituksat virtsanpoiston asentamiseen

Tuuletuskanavan lisäksi Tiny käymälään on mahdollisuus vetää virtsanpoisto ilman käymälätilassa näkyviä putkia. Alla on ohjeita, joita tulee noudattaa virtsanpoiston toimivuuden varmistamiseksi ajan mittaan ja ympäri vuoden.

- Jos aiot tehdä läpiviennin eristetyn seinän tai sellaisen seinän läpi, jossa on sisä- ja ulkoseinän välissä ilmaraako, sinun on käytettävä läpivientiputkia tai vaihtoehtoisesti johdettava letku putken läpi. Putkea käytetään vähentämään riskiä tuholaisten aiheuttamia vahinkoja vastaan.
- Mukana toimitetulla letkulla on mahdollista johtaa 2 metriä. Jos aiot johtaa virtsaa yli 2 metrin pituisen matkan, vaihda 2 metrin jälkeen putkeen. Koska virtsa sisältää suoloja, jotka voivat kerääntyä putkiin/letkuihin, suosittelemme, että asennuksen ollessa yli 2 metriä, on jatkoputken halkaisija vähintään 40 mm tukosten välttämiseksi.
- Varmista, että putkiston kaato on aina vähintään 2 astetta (2 cm metriä kohden), ja että letkun taipumisesta ei myöskään muodostu ilmataskuja.
- Jos käymälää käytetään talvella, on ulos vedettyjen putkien halkaisijan oltava vähintään 40 mm.
- Jos käymälää käytetään talvella, suosittelemme, että ulkona olevat putken osat eristetään. Putkieristettä voi ostaa useimmista rautakaupoista.
- Tärkeä sääntö pidemmille asennuksille (yli 2 metriä) on, että mitä aikaisemmin vaihdat halkaisijaltaan suurempiin putkiin, sitä pienempi on putkitukosten riski.
- Älä sijoita putkiliitoksia sähkölaitteiden tai pistorasioiden lähelle. Tämä estää nesteen joutumisen kosketuksiin sähkön kanssa vuototapauksessa.

## Asennus ilman näkyvää virtsanpoistoa

Asentaessasi ilman näkyviä putkia, käytä 90 asteen mutkaa virtsan johtamiseksi alaspäin tai suoraa liitosta taaksepäin alla olevien kuvien mukaisesti. Käytä asennussapluunaa reiän sijoittamiseksi oikeaan paikkaan seinään tai lattiaan.



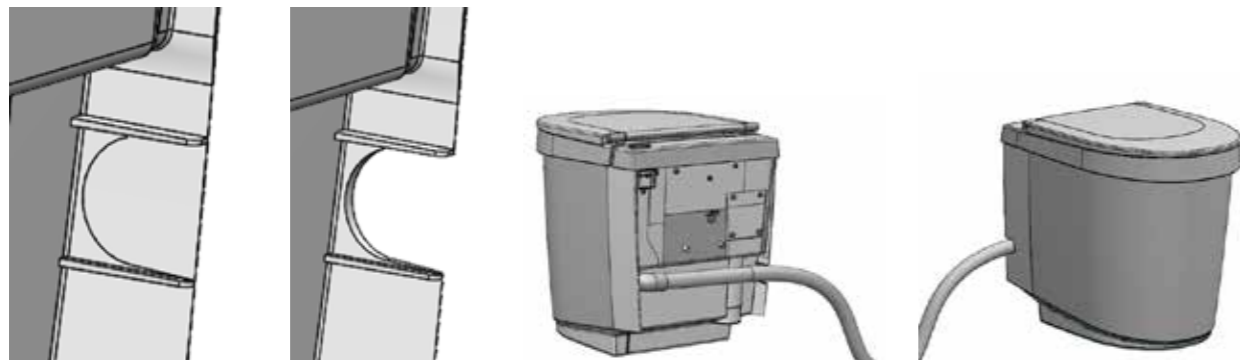
## Asennus näkyvällä virtsanpoistolla

Jos asennus ilman näkyviä putkia ei ole mahdollista, käytetään 90 asteen mutkaa virtsanpoiston vetämiseksi sivulle (oikealle tai vasemmalle) alla olevien kuvien mukaisesti.



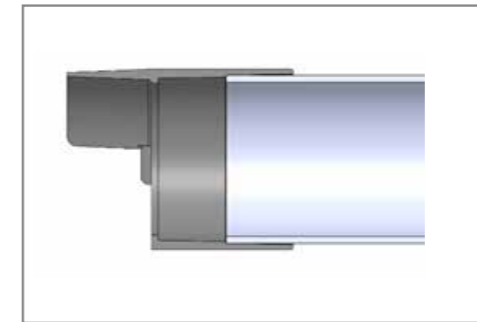
Jos virtsanpoisto vedetään sivulle, ja käymälä asennetaan seinää vasten, virtsaputki on johdettava käymälän sivun läpi, mikä vaatii reiän tekemisen muoviin. Parhaan tuloksen saamiseksi käytä samaa poraa, jota käytät reikien tekemiseen seinään. Käymälän kummallakin puolella on kohta, joka osoittaa paikan reiän tekemiselle. Katso alla olevat kuvat. Jos sisältäpäin poraaminen on vaikeaa; tee pienellä poralla pieni reikä keskelle ja poraa sitten ulkopuolelta. Käytä veistä tai hiekkapaperia porausjäljen reunan tasoittamiseen.

Jos virtsanpoisto vedetään pidemmälle huoneeseen, käytä mukana toimitettuja seinäkiinnikkeitä virtsaletkua varten. Varmista, että kaato on riittävä koko poiston matkalla ja että olet lukenut läpi virtsanpoiston vetämistä koskevat suositukset ja noudattanut niitä.

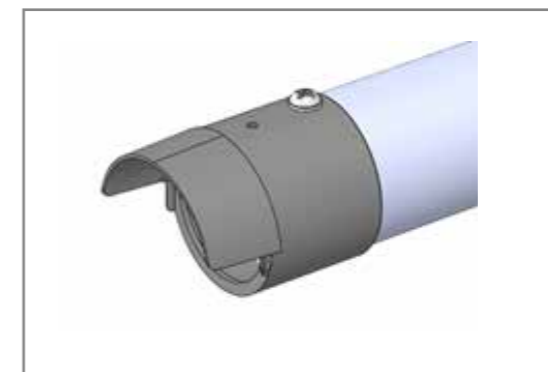
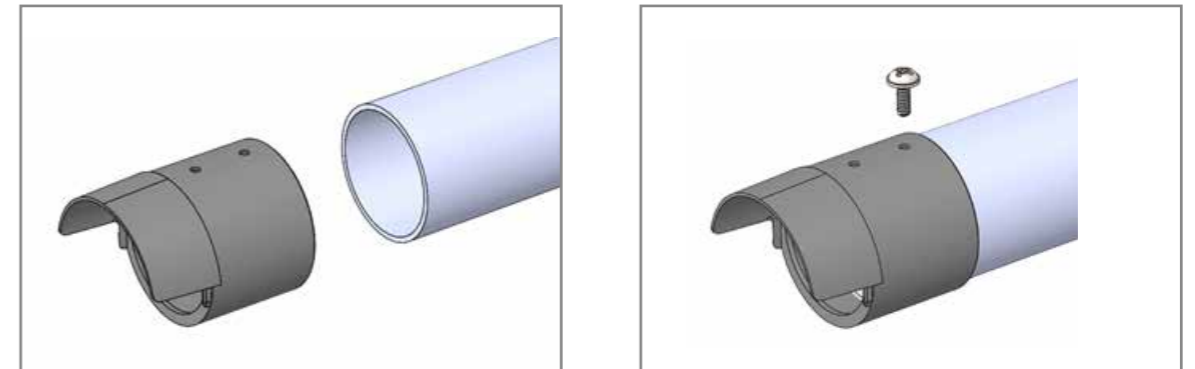


## Tuuletusritilän tai tuuletusputken hatun asennus

On tärkeää varmistaa, että tuuletusputken pää on suojattu sateelta ja lumelta, ja että hyönteisten pääsy käymälään estetään. Tätä varten käymälän mukana toimitetaan tuuletusputken pää integroidulla hyönteis- ja sääsuojalla. Tätä pääkappaletta käytetään, kun putken pää on vaakasuora, ja se on asennettava suojalevy ylöspäin suojaamaan sateelta ja lumelta. Tuuletusritilä sopii sekä 50 mm että 1,5 tuuman putkille. 50 mm putket uppoavat pääkappaleen puoliväliin ja 1,5 tuuman putket päätyyn saakka. Katso alla oleva kuva.



Tuuletusputken pää voidaan kiinnittää putken ruuvaamalla ohjeiden mukaan.

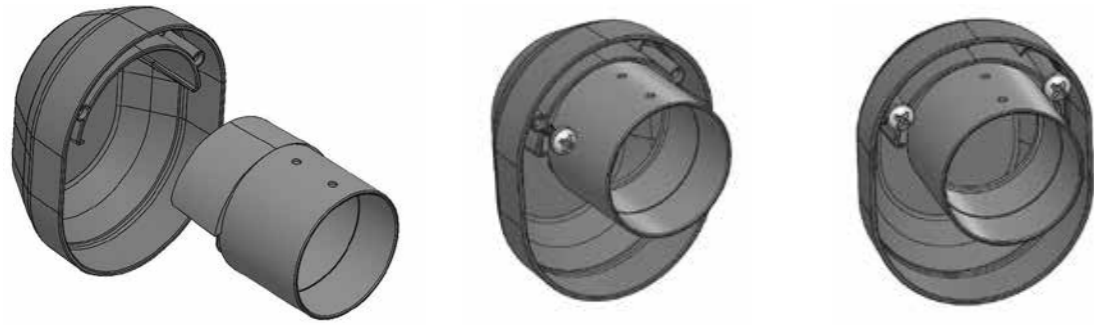


Kun putken pää on pystysuora, käytetään mukana toimitettua tuuletusputken hattua yhdessä tuuletusputken päässä kanssa varmistamaan, että sade ja lumi eivät pääse putkeen.

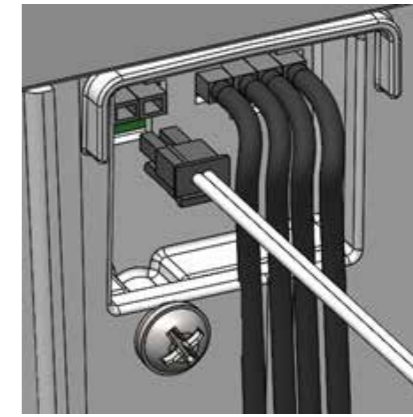
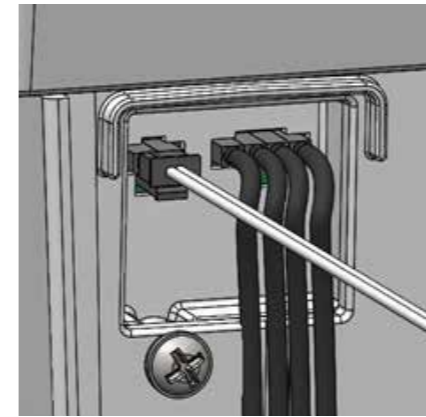
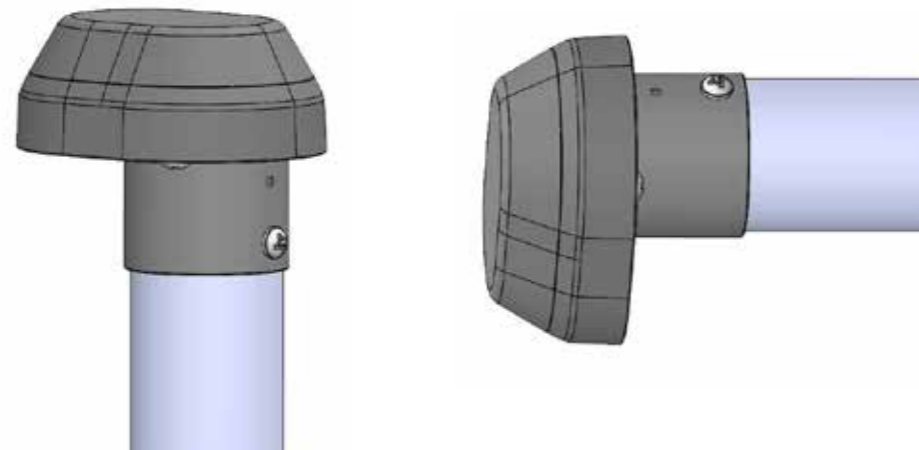
Tuuletusputken pää ja hattu asennetaan kahden mukana toimitetun ruuvien kanssa alla olevan kuvan mukaisesti.

## Virran kytkentä

Jos käymälä asennetaan seinää vasten, on virtajohto kytkettävä käymälään ennen sen seinään kiinnittämistä. Pöntön kiinnittämisen jälkeen liitäntään ei enää pääse käsiksi.



Yhdistetyt palat kiinnitetään putkeen samalla tapaa kuin aiemmassa kappaleessa esitettiin. Hankalissa olosuhteissa tuuletusputken hattua voi käyttää sää- ja tuulisuojana myös asennettaessa tuuletusputki vaaka-suuntaan.

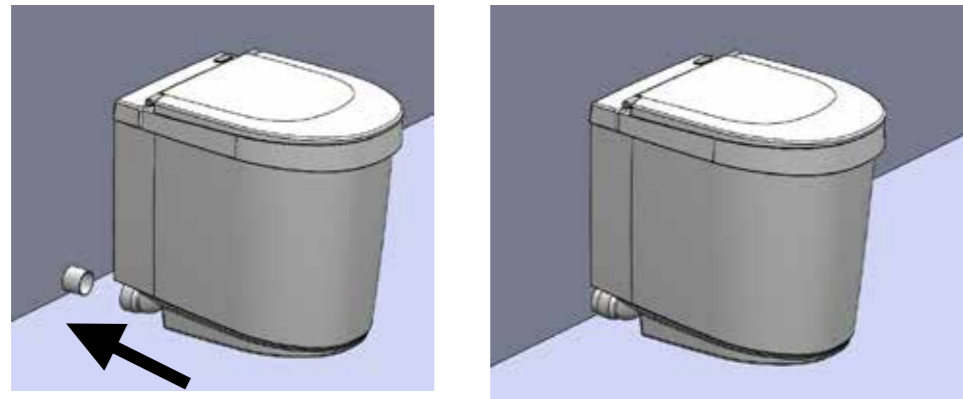


Käymälä on kytkettävä virtalähteeseen. Käymälän mukana toimitetaan 110–240 V:n muuntaja ja 12 V:n akkukaapelit. Virtalähteen valinnasta riippumatta johdot kytketään käymälän takaosaan yllä olevassa kuvassa näkyviin liitäntöihin. Varmista, että liitin kiinnittyy kunnolla.

*Tarkista käymälän toiminta kokeilemalla, että ilmaa puhaltuu ulos tuuletusputkesta.*



## Käymälän liittäminen tuuletusputkeen ja virtsanpoistoon



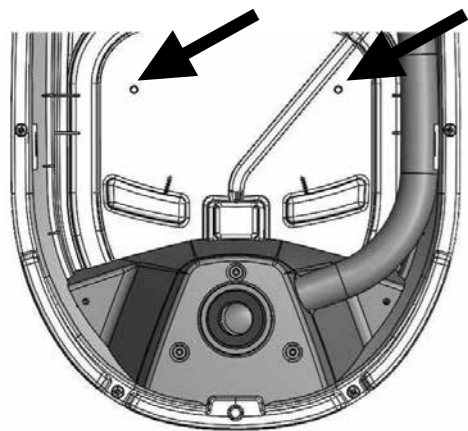
## Käymälän kiinnittäminen

**HUOM!** Liitä virtajohto käymälään ennen sen kiinnittämistä. Kiinnittämisen jälkeen sinulla ei ole pääsyä käymälän takaosaan, johon kaapeli on kytketty.

Tiny on suunniteltu siten, että käymälä voidaan kiinnittää lattiaan tai seinään. Parhaimman vakauden saamiseksi käymälän voi kiinnittää sekä lattiaan että seinään.

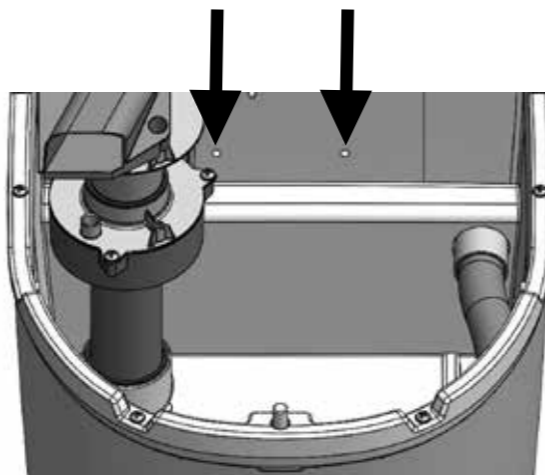
### Lattia

Kiinnittääksesi käymälän lattiaan, käytä mukana toimitettuja ruuveja tai muita tarkoitukseen sopivia ruuveja. Pohjassa on kaksi läpireikää, jotka on varattu ruuveille, joiden muoviin on päästävä sopivalla työkalulla.



### Seinä

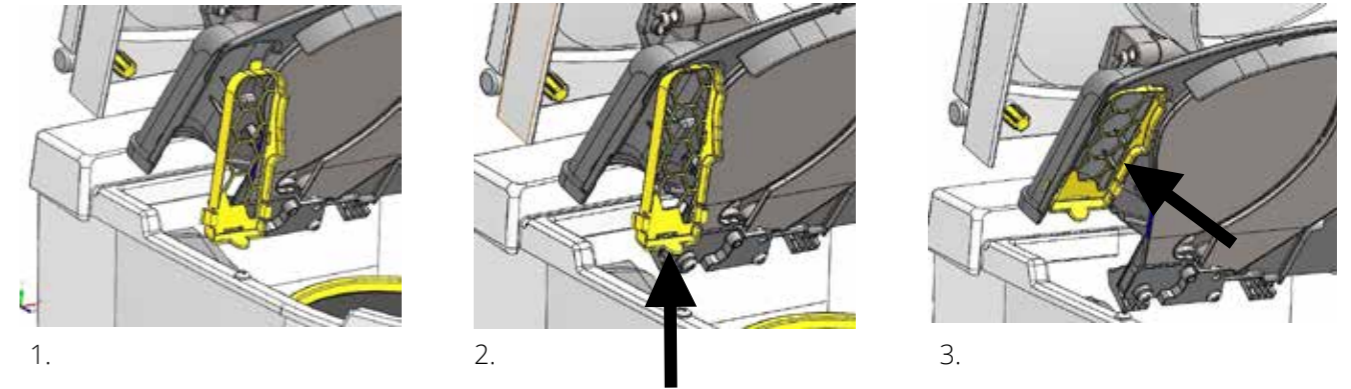
Ruuvaa seuraaviin reikiin seinään kiinnittämiseksi:



## Tuuletusputkiston suodattimen asennus

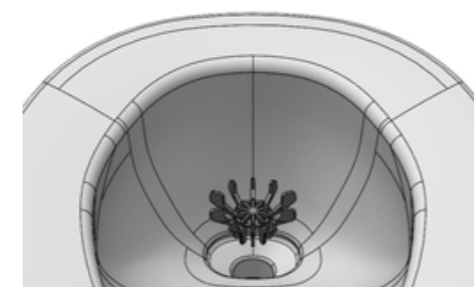
Hajuton käymälätila ja jätteen kuivuminen varmistetaan tuulettamalla käymälää jatkuvasti. Tuulettimen suojaamiseksi käytön aiheuttamalta liialta ja pölyltä, on tuuletusputkiston alkupäässä suodatin. Suodatinta ei ole asennettu valmiiksi, vaan se asennetaan käymälää käyttööön otettaessa alla olevan kuvan mukaisesti. Optimaalisen toimivuuden varmistamiseksi suodatin on puhdistettava säännöllisin väliajoin.

Asenna keltainen tuuletusputkiston suodatin käymälään seuraavasti:

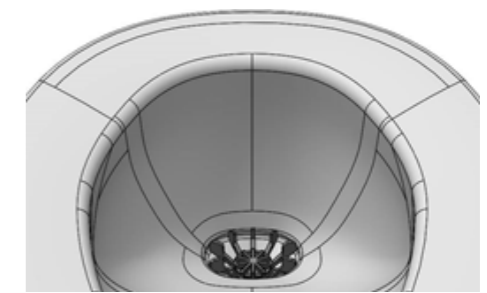


## Aseta pidike virtsamaljan biotabletille

Aseta mukana toimitettu biotabletin pidike paikalleen virtsamaljaan. Verkko varmistaa, ettei virtsanpoistoon pääse suuria esineitä.



1.



2.



## ADVARSEL!

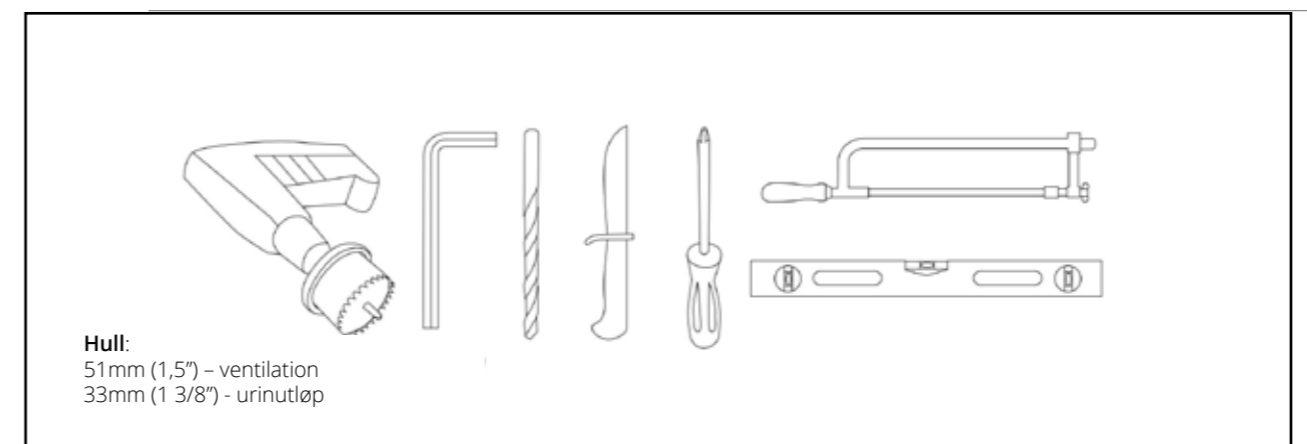
Før du lager hull i vegger eller gulv. Påse at det er mulig å lage hull på stedet for veggjennomføring, og at rørtrekkingen oppfyller eventuelle bygningskrav. Husk at veggen kan skjule blant annet elektriske ledninger, rørtrekking, vanntetting og bærende konstruksjon.

**OBS!** Spør alltid miljøkontoret om hvilke regler som gjelder i din kommune. Følg alltid lokale forskrifter. Se også installasjonsfilmen på [www.separett.com](http://www.separett.com)

For at toalettet skal være luktfritt, er det nødvendig at viften på toalettet er på hele tiden slik at den ventilerer og får ny luft til å ventilere ut. For å oppnå dette kreves følgende:

1. Det skal ikke være noen annen vifte/ventilasjon i samme rom som også ventilerer ut luft.
2. Sørg for at ny luft kommer inn i rommet utenfra. Innluften må være så nær toalettet som mulig.

## Nyttige verktøy



## Dette følger med produktet

|   |   |  |   |
|---|---|--|---|
| 1 x 90 graders-tilkobling                         |    | 1 x ventilasjonsgitter<br>50 mm / 1,5" |    |
| 1 x veggjennomføring for rør<br>40 cm (15,75")    |    | 1 x regnhette Tiny                     |    |
| Vareprøve på avløpsrens                           |    | 2 x skruer til regnhette               |    |
| Vareprøve Nedbrytbare sekker                      |    | 1 x installasjonsmåleskisse            |    |
| Vareprøve absorberingsduk                         |    | 1 x batterieliminators                 |    |
| 1 x urinskålforglenger                            |  | 1 x viftefilter                        |  |
| 3 x monteringskruser til vegg-<br>eller gulvfeste |  | 1 x urinslange                         |  |
| 1 x lokk avfallsbeholder                          |  | 1 x rettskjøt 32 mm rør                |  |
| 1 x røradapter 50 mm til 1,5"<br>(scheduling 40)  |  | 1 x 90 graders skjøt<br>32 mm rør      |  |
| 1 x kurv til avløpsrens Tiny                      |  |  |   |

## Instruksjoner for installasjon

*Les mer under hver overskrift*

1. Plassering av toalettet
2. Lag hull etter målskisse
3. Rørtrekking av ventilasjon
4. Legging av urinslange
5. Monter ventilasjonsgitter eller regnhette
6. Koble strøm til toalettet
7. Koble toalettet til ventilasjonsrør og urinslange
8. Fest toalettet på veggen og/eller gulvet
9. Monter fast viftefilter
10. Plassering av kurv for avløpsrens



## Plassering av toalettet

Separett Tiny har ingen krav til romtemperatur og fungerer både i kalde og varme rom. Kravene er at det er mulig å avlede urinen og montere et rør for ventilasjon.

Toalettet er beregnet for å plasseres på gulvet mot veggen, og for ekstra stabilitet må det festes enten til gulvet, veggen eller begge deler.

## Lag hull etter målskisse

Den vedlagte målskissen viser mulige installasjonsalternativer for urinavløp og ventilasjonsrør gjennom veggen bak toalettet eller gjennom gulvet. Disse alternativene gir en installasjon uten synlige rør.

## Rørtrekking av ventilasjon

Toalettet er konstruert for 50 mm-rør (ytre mål). For at det skal fungere optimalt, anbefales Separetts eget installasjonssett med rør og vinkler i riktig dimensjon.

Separett Tiny kan installeres med opptil 5 meters ventilasjonsrør og 2 stk. 90-graders bøyer. Ventilasjon skjer gjennom vegg, gulv eller tak, for eksempel opp til loftet og ut på en hensiktsmessig side av huset. Hvis det er ventilasjonsrør fra et tidligere toalett, kan toalettet kobles til denne kanalen forutsatt at den ikke er mindre enn 50 mm og at den oppfyller kravene til rørtrekking. Ved behov for lengre rørtrekking som overskrider anbefalingene ovenfor, kan man installere en ekstra vifte (art. nr: 13008)

Toalettet leveres med en røradapter for å koble det medfølgende 40 cm lange 50 mm-røret til et 1,5 tommer rør (scheduling 40). For mer informasjon om dette, les avsnitt X.

### X. Ved kobling av toalettet til røret på 1,5 tommer

*Sørg for at rørtrekkingen er så kort og enkel som mulig, da den indre diameteren i disse rørene er mindre enn rørene i Separetts ventilasjonssett, så luftstrømningen er begrenset. For disse installasjonene anbefales maks. 4 meter lange rør og 2 stk. 90 graders bøy.*

Toalettet er designet for direkte tilkobling av 50 mm rør. Det følger også med en kobling for å koble 1,5 tommer-røret (scheduling 40) til toalettet. Det medfølgende 50 mm-røret brukes til å koble til toalettet eller den medfølgende 90-graders bøyen. 50 mm-røret kan med fordel kuttes til passende lengde. Bruk røradapteren til å fortsette installasjonen med 1,5-tommers rør (scheduling 40).

1,5-tommers rør (scheduling 40) har en mindre indre diameter, og når disse rørene brukes, skal man prøve å oppnå en kortest mulig trekking slik at det skal fungere best mulig. Den totale lengden på rørene skal ikke overstige 4 meter, og en bøy på maksimalt 90 grader anbefales.

## Installasjon uten synlige rør

For å trekke rør bakover eller til siden benyttes den medfølgende 90 graders bøyen. Bøyen er plassert som vist nedenfor, og den vrir bakover. Bøyen kan være vanskelig å få på plass. For å gjøre monteringen lettere kan man f.eks. bruke vaselin.



Det medfølgende ventilasjonsrøret kobles deretter til bøyen på 90 grader. Røret er 40 cm langt, og normalt er dette tilstrekkelig til å nå gjennom ytterveggen. Skulle det være behov for flere rør for å føre luften ut av huset, anbefales Separetts ventilasjonssett (art. nr 1344) for Tiny. Den består av 4 meter lange rør og bøyer som sørger for at videre installasjon blir lett å utføre. Disse kan også brukes til å føre rørtrekkingen videre på utsiden av huset. Vær oppmerksom på at det anbefales å gjøre installasjonen så kort som mulig for å garantere optimal funksjon gjennom hele året.



Hvis installasjonen skal gå gjennom gulvet, kobles røret direkte til toalettet som vist nedenfor.

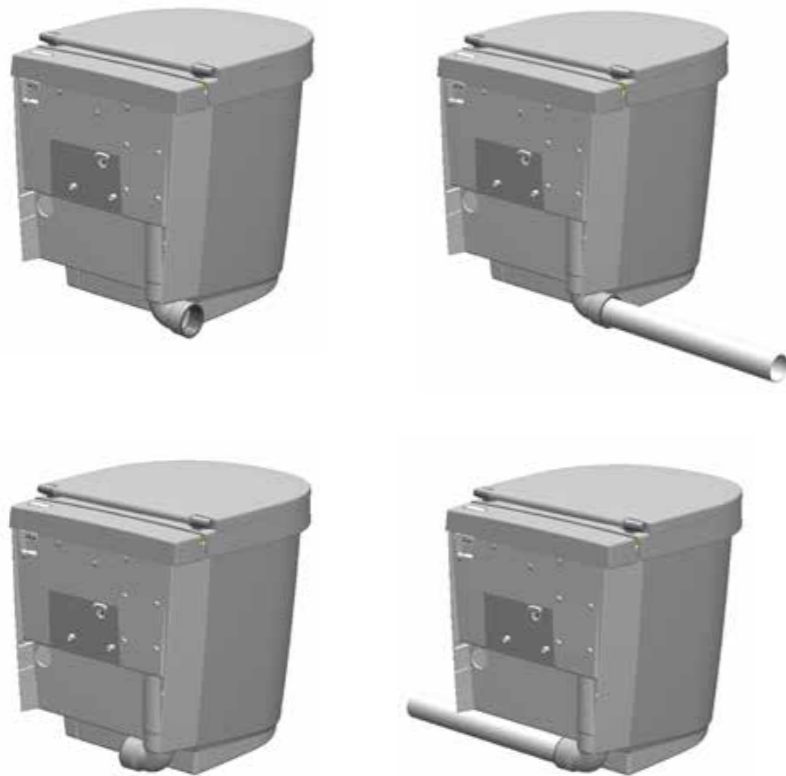
Bildet nedenfor viser hvordan en kobling til Tiny kan se ut.



## Alternativ installasjon – synlige rør

I tilfeller hvor installasjon med skjulte rør ikke er mulig, føres ventilasjonskanalen mot høyre eller venstre ved at 90-gradersbøyen vris slik som bildene viser nedenfor. Rørtrekkingen må deretter utføres i samsvar med anbefalingene for legging av ventilasjonsrør.

Skulle det være behov for flere rør til å føre luften ut av huset, anbefales Separett's ventilasjonssett for Tiny. Den består av 4 meter lange rør og bøyer som sørger for at videre installasjon blir lett å utføre. Disse kan også brukes til å føre rørtrekkingen videre på utsiden av huset. Vær oppmerksom på at det anbefales å gjøre installasjonen så kort som mulig for å garantere optimal funksjon gjennom hele året.



## Legging av urinslange

Toalettet leveres med en urinslange på 2 meter. For å koble dette til toalettet brukes medfølgende rettskjøt eller en skjøt på 90 grader. Som ved installering av ventilasjonsrør er det mulig å koble urinslangen slik at ingen rør er synlige i rommet hvor toalettet er installert. Dette oppnås ved å stille inn skjøten på 90 grader nedover eller bakover, som vist på bildene nedenfor.

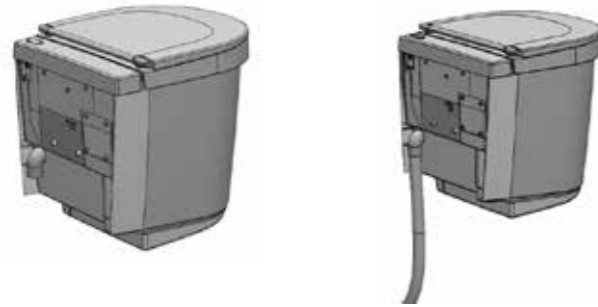
### Anbefalinger ved montering av urinslange

I likhet med ventilasjonen gir Tiny muligheten til å trekke urinslangen uten at det er noen synlige rør i rommet hvor toalettet er installert. Nedenfor er en liste over råd som bør følges for at urinslangen skal fungere godt på sikt og året rundt.

- Hvis du skal gjennom en isolert vegg eller en vegg med et luftgap mellom inner- og yttervegg, må du bruke rør ved gjennomføringen, alternativt føre slangen gjennom et rør. Rør brukes for å redusere risikoen for at ledningen skades av skadedyr.
- Hvis du skal føre urinen lenger enn 2 meter, som er lengden på den medfølgende slangen, bør du etter 2 meter gå over til rør. Ettersom urin inneholder salter som kan samle seg opp i rør/slanger, anbefaler vi, ved installasjoner som er lengre enn 2 meter, at det påfølgende røret har en diameter på minst 40 mm for å unngå tilstopping.
- Påse at du alltid har et fall på minst 2 grader gjennom hele røret, samt at det ikke oppstår noen luftlommer ved at slangen bøyer seg.
- Hvis toalettet skal brukes om vinteren, må rør som legges utendørs, ha en diameter på minst 40 mm.
- Hvis toalettet skal brukes om vinteren, anbefaler vi at rørdelene som befinner seg utendørs, isoleres med rørisolasjon. Slik isolasjon kan kjøpes i de fleste byggevarerhus.
- En viktig regel ved lengre installasjoner (over 2 meter) er at jo tidligere du bytter til rør med større diameter, desto mindre er faren for at rørene blir tette.
- Ikke plasser rørsjøter i nærheten av elektriske apparater eller stikkontakter. Dette for å unngå at væske kommer i kontakt med strøm ved eventuell lekkasje.

## Montering uten synlig urinslange

For montering uten synlige rør brukes 90-gradersbøyen for å føre urinen nedover, eller rettskjøt for at den skal gå bakover, som vist på bildene nedenfor. Bruk den vedlagte installasjonsmålskissen for å plassere hull i veggen eller gulvet i riktig posisjon.



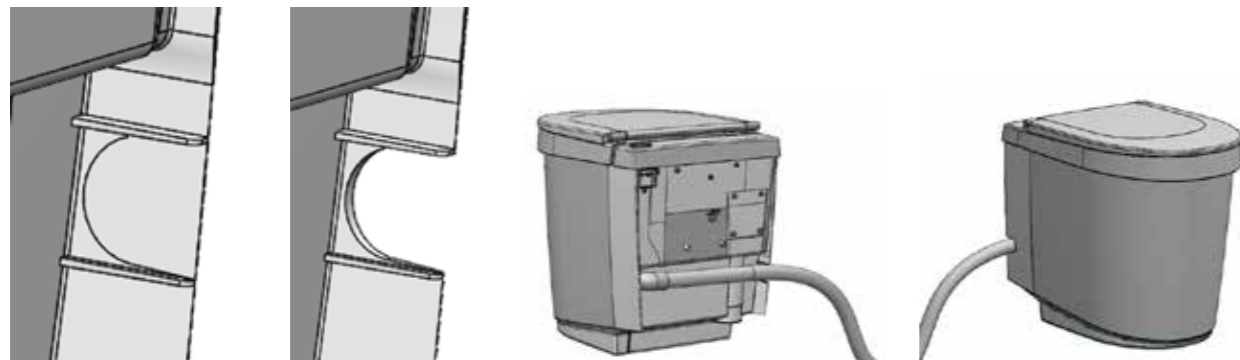
## Montering med synlig urinslange

I tilfeller hvor montering uten synlige rør ikke er mulig, benyttes 90-graders bøy for å trekke urinslangen til siden (høyre eller venstre) som vist på bildene nedenfor.



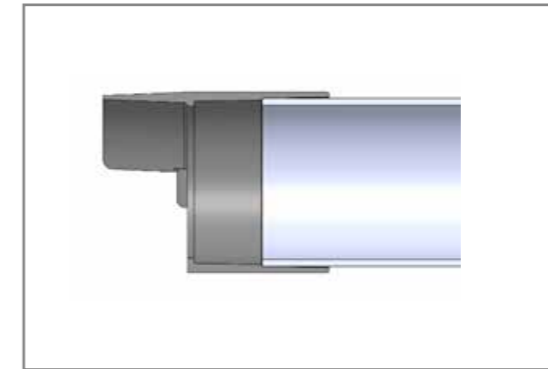
Hvis urinrøret skal trekkes sidelengs og toalettet skal installeres mot veggen, må urinslangen føres gjennom siden av toalettet. Dette krever at det lages et hull i plasten. For best mulig resultat, bruk gjerne samme bor som når du lager hull i veggen. På hver side av toalettet er det en anvisning som viser hvor hullet skal være. Se bilder nedenfor. Hvis det er vanskelig å komme til med boret fra innsiden, bruk et lite bor for å lage et lite hull i midten, og bor deretter fra utsiden. Bruk kniv eller sandpapir for å få en fin kant.

Hvis urinslangen skal legges lenger inn i rommet, bruk medfølgende veggfeste for urinslanger. Pass på at slangen har et fall hele veien og at du har lest gjennom anbefalingene for legging av urinslange.

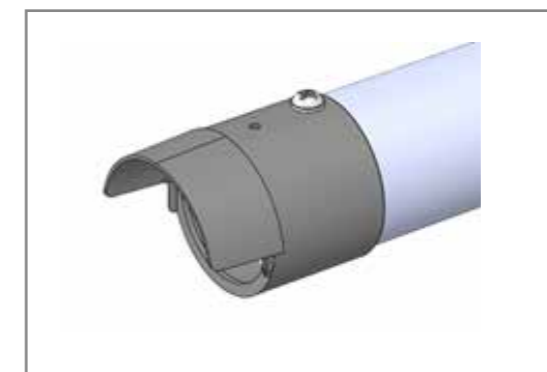
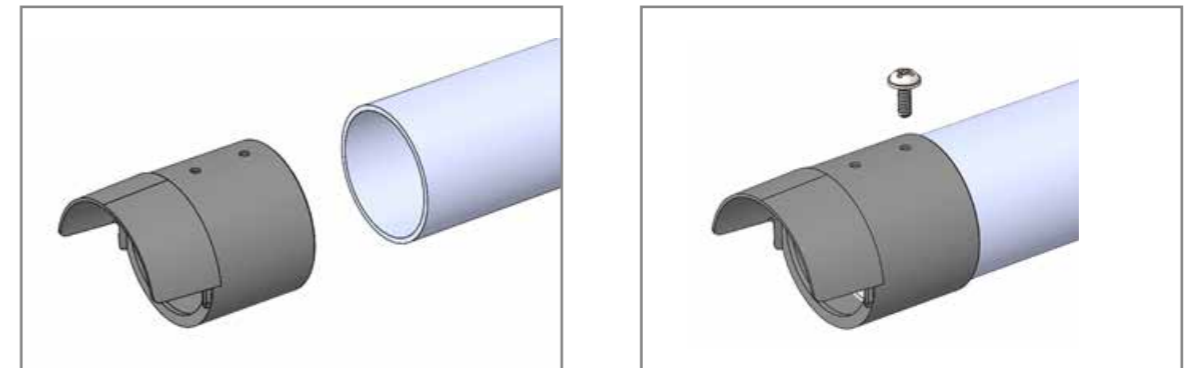


## Monter ventilasjonsgitter eller regnhette

Det er viktig å sikre at enden på ventilasjonsrøret er beskyttet mot regn og snø, samt at den hindrer insekter i å komme inn på toalettet. For å oppnå dette følger det med et ventilasjonsgitter med innebygd insektsnetting. Dette ventilasjonsgitteret brukes når rørenden er vannrett og må monteres med skjermen oppover for å beskytte mot regn og snø. Ventilasjonsgitteret er egnet for både 50 mm og 1,5 tommers rør. 50 mm rør går inn halve strekningen, og 1,5-tommers rør går hele veien. Se bildet nedenfor.



Ventilasjonsgitter kan festes i røret ved å skru røret fast i henhold til anvisningen på detaljen.

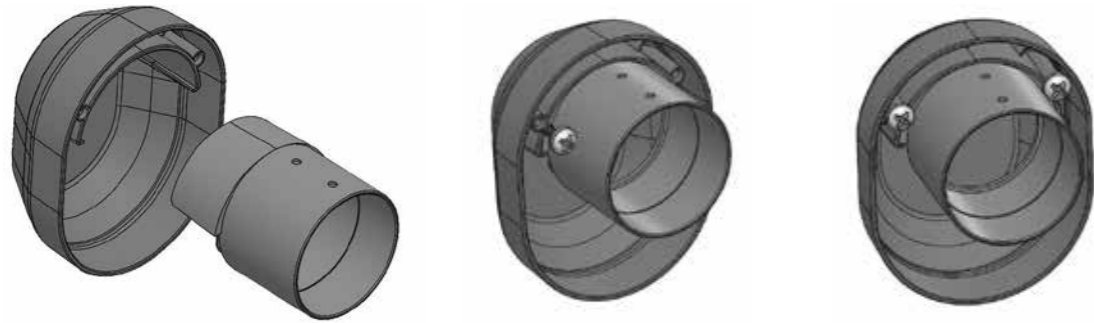


Når rørenden er loddrett, brukes den medfølgende regnhetten sammen med ventilasjonsgitter for å sikre at regn og snø ikke kommer inn i røret.

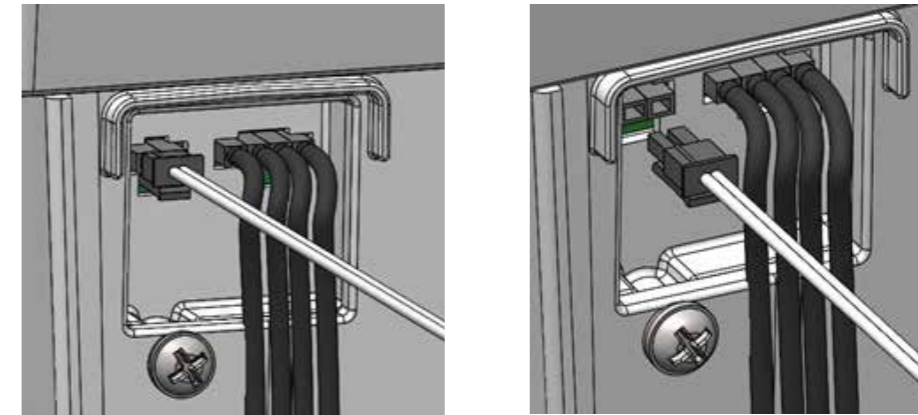
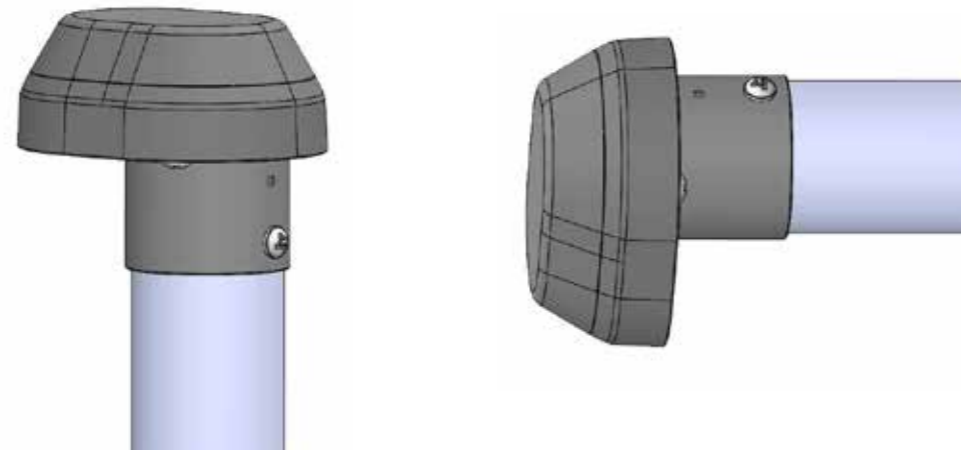
Ventilasjonsgitter og skjerm monteres sammen med de to medfølgende skruene som vist nedenfor.

## Koble strøm til toalettet

Hvis toalettet skal monteres mot en vegg, må strømledningen kobles til toalettet før det festes. Etter veggmontering er ikke tilkoblingen tilgjengelig.



De monterte delene monteres deretter som rørender på samme måte som vist i forrige seksjoner. Det er også mulig å bruke regnhettet i en horisontal rørende under mer krevende forhold for å sikre bedre beskyttelse mot vær og vind.

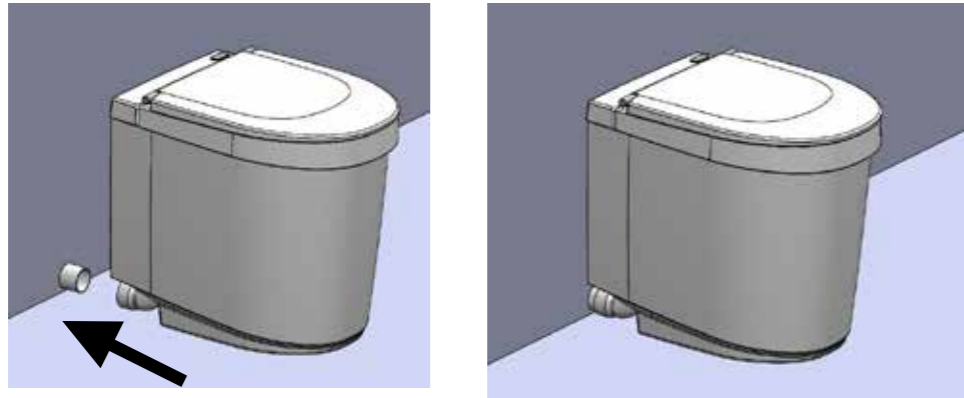


Toalettet må kobles til en strømkilde. Toalettet leveres med en batterieliminatør for 110-240 V samt 12 V batterikabler. Uansett valg av strømkilde blir ledningene koblet til baksiden av toalettet via den merkede inngangen på bildet over. Sørg for at kontakten er festet ordentlig.

*Kontroller at toalettet får strøm ved å kjenne etter om det blåser ut luft gjennom ventilasjonsutløpet.*



## Koble toalettet til ventilasjonsrør og urinslange



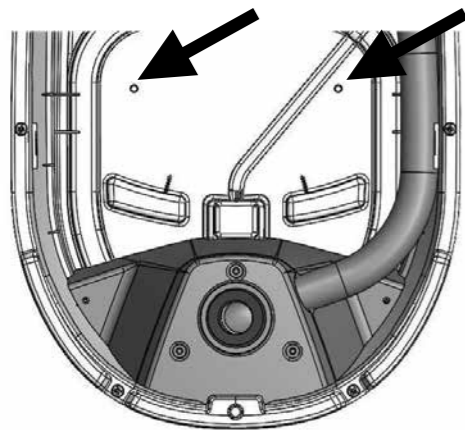
## Festing av toalettet

**OBS!** Koble strømledningen til toalettet før det festes. Etter å ha festet toalettet har man ikke tilgang til baksiden av toalettet der kabelen er tilkoblet.

Tiny er konstruert med muligheten til å skru fast toalettet til gulvet eller veggen. For best mulig stabilitet kan begge alternativene kombineres.

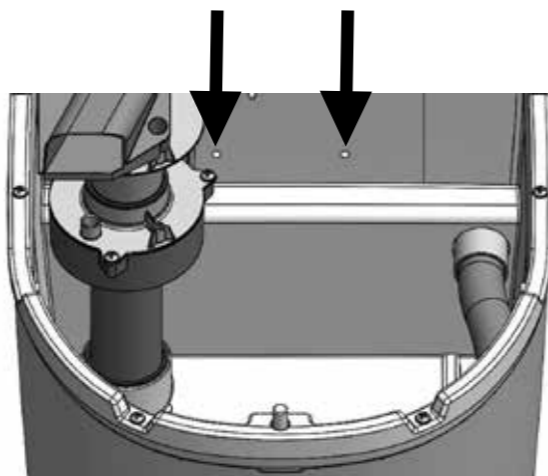
### Gulv

For å feste toalettet på gulvet, bruk den medfølgende skruen eller en annen skrue som er egnet for formålet. Det er to tiltenkte skruehull i bunnen av toalettet, plasten i midten av hullet fjernes med et passende verktøy.



### Vegg

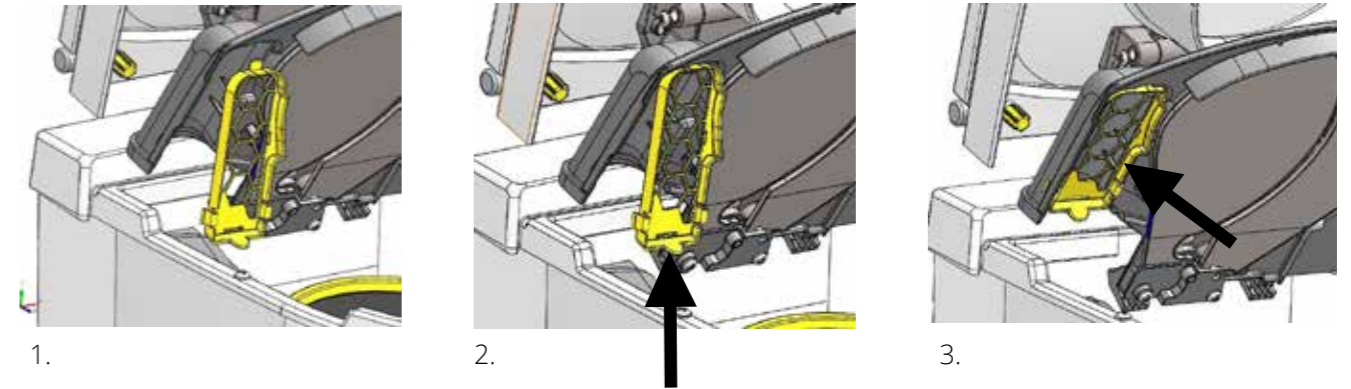
Bruk medfølgende skrueskive og skru i følgende hull for å feste i veggen.



## Monter fast viftefilter

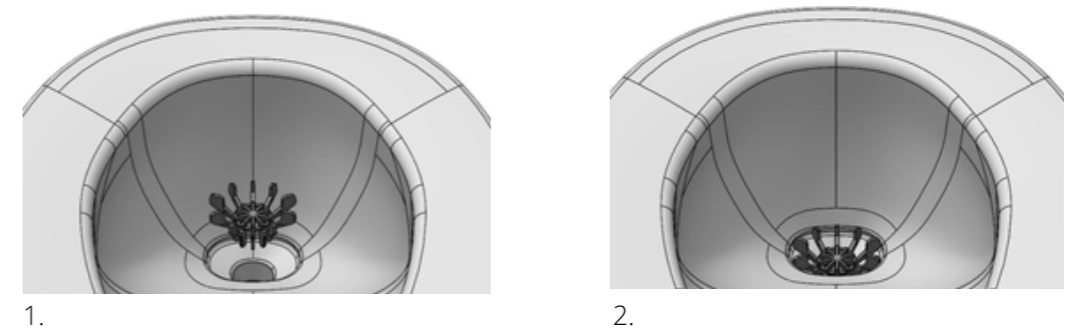
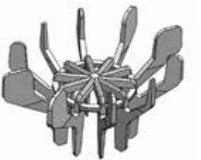
For å sikre et luktfritt bad og at avfallet tørkes ut skal toalettet konstant ventileres. For å beskytte viften mot smuss og støv i forbindelse med bruk er det plassert et filter i luftkanalen. Dette filteret er ikke montert ved levering. Det skal monteres på plass som vist på bildet nedenfor. For at filteret skal fungere ordentlig, bør det rengjøres med jevne mellomrom.

For å montere det gule viftefilteret på toalettet, følg trinnene nedenfor:



## Plassering av kurv for avløpsrens

Plasser den medfølgende kurven for avløpsrens i urinslangen. Nettet sørger for at ingen store gjenstander kommer inn i urinslangen.





## WARNUNG!

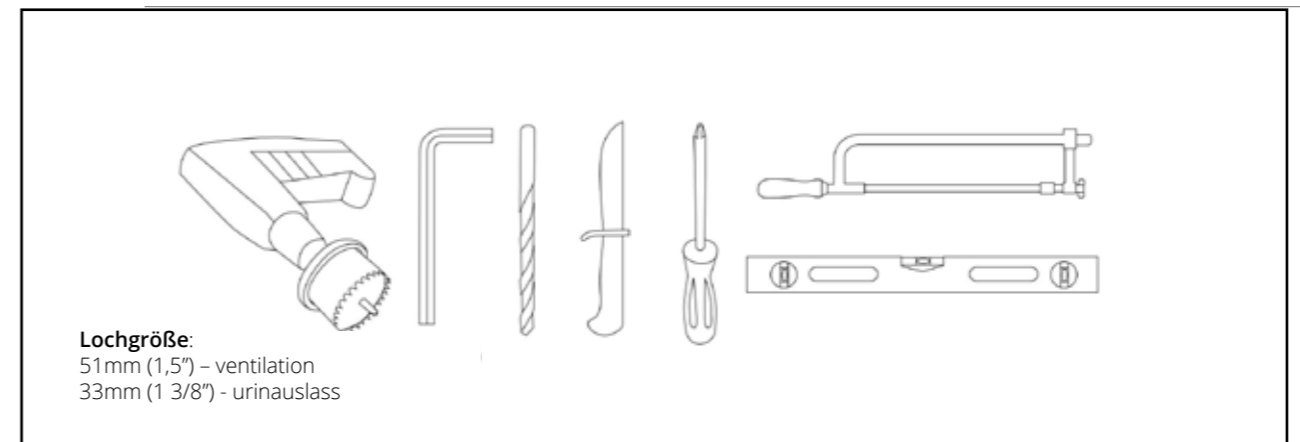
Bevor Sie an Wand oder Boden Löcher bohren: Stellen Sie sicher, dass es an der Stelle für die Wanddurchführung möglich ist, ein Loch zu bohren, und dass für die Rohrleitungen alle Konstruktionsanforderungen erfüllt sind. Denken Sie daran, dass sich in der Wand zum Beispiel Elektroleitungen, Rohrleitungen, Abdichtungen oder eine Tragkonstruktion verbergen können.

**HINWEIS!** Erkundigen Sie sich bei Ihrer lokalen Umweltbehörde, welche örtlichen Regelungen für Sie jeweils gelten. Sie sollten sich immer an die örtlichen Vorschriften halten.  
Auf [www.separett.com](http://www.separett.com) können Sie sich auch ein Montagevideo ansehen.

Damit die Toilette geruchsfrei bleibt, muss der Lüfter in der Toilette dauerhaft in Betrieb sein. So kann eine konstante Durchlüftung in der Toilette mit neuer Luft stattfinden. Dazu ist zudem Folgendes erforderlich:

1. Es sollte sich kein anderer Lüfter/Ventilator im selben Raum befinden, der ebenfalls einen Luftstrom erzeugt.
2. Es muss dafür gesorgt sein, dass neue Luft vom Außenbereich in den Raum gelangt. Dabei soll die Luft so nahe wie möglich an der Toilette zugeführt werden.

## Nützliche Werkzeuge



## Dies ist im Lieferumfang enthalten

|   |   |  |   |
|---|---|--|---|
| 1 x 90-Grad-Rohrverbinder                                   |    | 1 x Lüftungsgitter 50 mm/1,5"          |    |
| 1 x Wanddurchführungsrohr 40 cm                             |    | 1 x Regenhaube „Tiny“                  |    |
| Ablaufreiniger als Warenprobe                               |    | 2 x Schrauben für Regenhaube           |    |
| Warenprobe Kompostierbare Beutel                            |    | 1 x Skizze über die Montageabmessungen |    |
| Warenprobe Aufsaugtuch                                      |    | 1 x Batterie-Eliminator                |    |
| 1 x Erweiterung für Urinschale                              |   | 1 x Lüfterfilter                       |  |
| 3 x Befestigungsschrauben für die Wand- oder Bodenhalterung |  | 1 x Urinschlauch                       |  |
| 1 x Deckel für Feststoffbehälter                            |  | 1 x 32 mm Rohrverbinder, gerade        |  |
| 1 x Rohradapter 50 mm bis 1,5" (Schedule 40)                |  | 1 x 32 mm Rohrverbinder, 90°           |  |
| 1 x Körbchen für Ablaufreiniger Tiny                        |  |  |   |

## Die einzelnen Schritte der Montage

*Weitere Informationen jeweils unter der Überschrift*

1. Platzierung der Toilette
2. Bohren der Löcher gemäß Abmessungsskizze
3. Verlegen der Rohrleitung für die Belüftung
4. Verlegen der Urinableitung
5. Montage des Lüftungsgitters oder der Regenhaube
6. Anschließen an eine Stromquelle
7. Anschließen der Toilette an das Lüftungsrohr und die Urinableitung
8. Befestigen der Toilette an Wand und/oder Boden
9. Den festen Lüfterfilter montieren
10. Das Körbchen für den Ablaufreiniger einsetzen

## Platzierung der Toilette

Separett Tiny benötigt keine spezifische Raumtemperatur und funktioniert sowohl in kalten als auch in warmen Räumen. Es muss jedoch die Möglichkeit bestehen, den Urin abzuleiten und ein Rohr für die Belüftung zu montieren.

Die Toilette ist konzipiert, um auf dem Boden gegen die Wand platziert zu werden, wobei sie für zusätzliche Stabilität entweder am Boden, an der Wand oder an beiden befestigt werden sollte.

## Bohren der Löcher gemäß Abmessungsskizze

Die beigefügte Abmessungsskizze veranschaulicht die möglichen Alternativen für die Montage des Urinablaufs und Lüftungsrohrs durch die Wand hinter der Toilette oder durch den Boden. Bei diesen Optionen sind die Rohre jeweils verborgen.

## Verlegen der Rohrleitung für die Belüftung

Die Toilette ist für 50-mm-Rohre (Außenmaße) ausgelegt. Für eine optimale Funktion empfehlen wir das eigene Montageset von Separett, in dem die Rohre und Winkel in der korrekten Abmessung enthalten sind.

Separett Tiny kann mit einem Lüftungsrohr von bis zu 5 m sowie zwei 90-Grad-Rohrverbindern montiert werden. Die Entlüftung kann durch Wand, Boden oder Dach erfolgen, beispielsweise nach oben zum Kaltdach und durch eine geeignete Seite des Hauses nach draußen. Wenn seit einer früheren Toiletteninstallation bereits Rohre für die Belüftung vorhanden sind, kann die Toilette an diesen Kanal angeschlossen werden. Voraussetzung ist, dass dieser nicht weniger als 50 mm misst und die Anforderungen für Rohrleitungen erfüllt sind. Wenn Sie eine längere Rohrleitung über die oben genannten Empfehlungen hinaus benötigen, haben Sie die Möglichkeit, einen zusätzlichen Lüfter zu installieren (Art.-Nr.: 13008)

Im Lieferumfang der Toilette ist ein Verbindungsstück enthalten, mit dem das mitgelieferte 40 cm lange 50-mm-Rohr an ein 1,5-Zoll-Rohr (Schedule 40) angeschlossen werden kann. Weitere Informationen hierzu finden Sie in Abschnitt X.

### X. Anschließen der Toilette an ein 1,5-Zoll-Rohr

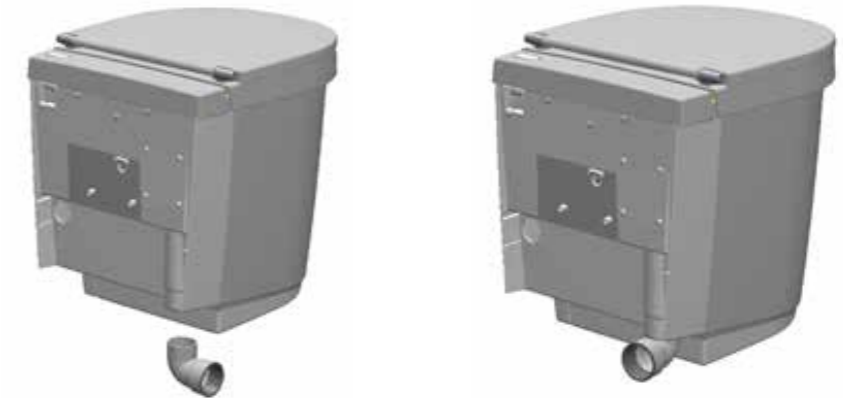
*Sorgen Sie für eine so kurze und einfache Rohrleitung wie möglich, da der Innendurchmesser dieser Rohre geringer ist als bei den Rohren im Lüftungsset von Separett, woraus ein eingeschränkter Luftstrom folgt. Für diese Montagen werden maximal ein 4 m langes Rohr und 2 90-Grad-Rohrverbinder empfohlen.*

Die Toilette ist für den Direktanschluss von 50-mm-Rohren ausgelegt. Im Lieferumfang der Toilette ist auch ein Verbindungsstück enthalten, um ein 1,5-Zoll-Rohr (Schedule 40) mit der Toilette zu verbinden. Das mitgelieferte 50-mm-Rohr dient zum Anschließen an die Toilette oder den mitgelieferten 90-Grad-Rohrverbinder. Dabei wird das 50-mm-Rohr am besten auf eine geeignete Länge gekürzt. Verwenden Sie das Verbindungsstück, um die Montage mit dem 1,5-Zoll-Rohr (Schedule 40) fortzusetzen.

1,5-Zoll-Rohre (Schedule 40) haben einen geringeren Innendurchmesser. Für eine gute Funktionalität sollte bei Verwendung dieser Rohre daher eine möglichst kurze und einfache Leitung angestrebt werden. Die Gesamtlänge des Rohrs sollte unter 2 m liegen und es wird maximal 2 90-Grad-Winkel empfohlen.

## Montage ohne sichtbare Rohre

Um die Rohrleitung nach hinten oder zur Seite zu verlegen, kommt der mitgelieferte 90-Grad-Rohrverbinder zum Einsatz. Das Verbindungsstück wird wie unten veranschaulicht platziert und nach hinten gedreht. Es kann mitunter schwierig sein, das Teil in Position zu bringen. Um die Montage leichter zu gestalten, können Sie beispielsweise Vaseline verwenden.



Danach wird das mitgelieferte Lüftungsrohr an den 90-Grad-Verbinder angeschlossen. Dieses Rohr ist 40 cm lang, was normalerweise ausreicht, um durch die Außenwand zu gelangen. Falls zusätzliche Rohre benötigt werden, um die Luft nach draußen zu leiten, empfehlen wir das Lüftungsset von Separett für Tiny (Art. Nr. 1344). Darin sind 4-Meter-Rohre und 90-Grad-Verbinder enthalten, dank der die weitere Montage vereinfacht wird. Diese können außerdem auch dazu verwendet werden, um die Rohrleitung entlang der Hausfassade weiterzuleiten. Beachten Sie aber, dass eine möglichst kurze Montage empfohlen wird, um das ganze Jahr über eine umfassende Funktionalität zu gewährleisten.



Soll die Montage durch den Boden erfolgen, wird das Rohr wie unten veranschaulicht direkt an die Toilette angeschlossen.

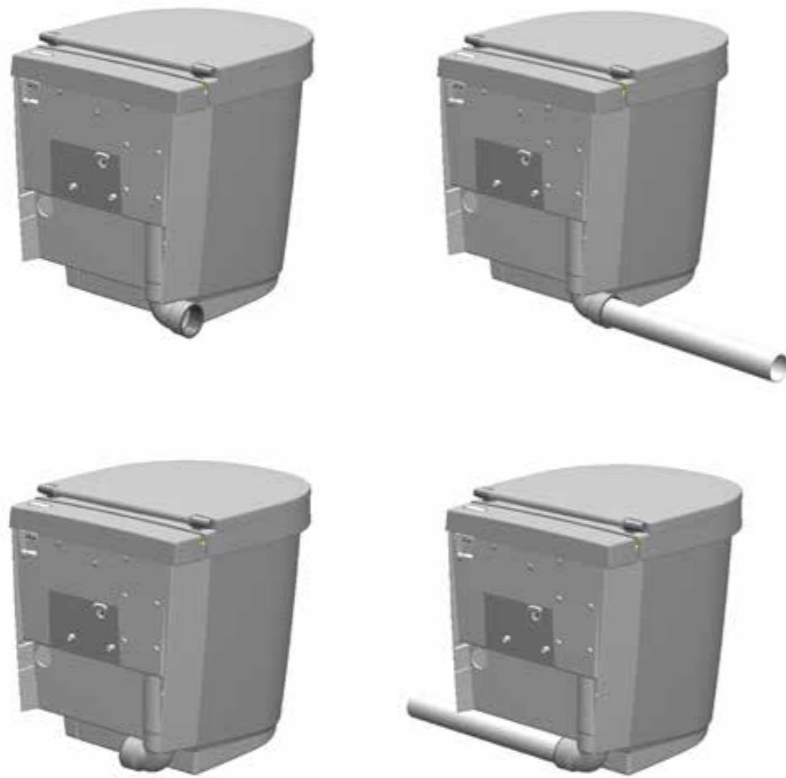
Auf dem Bild unten sehen Sie, wie ein Anschluss an Tiny aussehen könnte.





## Alternative Montage – mit sichtbaren Rohren

In Fällen, bei denen eine Montage mit verborgenen Rohren nicht möglich ist, wird der Lüftungskanal – wie auf den folgenden Abbildungen veranschaulicht – durch Drehen des 90-Grad-Rohrverbinders nach rechts oder nach links verlegt. Die Verrohrung sollte dann gemäß den Empfehlungen für das Verlegen von Lüftungsrohren durchgeführt werden. Falls zusätzliche Rohre benötigt werden, um die Luft nach draußen zu leiten, empfehlen wir das Lüftungssset von Separett für Tiny. Darin sind 4-Meter-Rohre und 90-Grad-Verbinders enthalten, dank der die weitere Montage vereinfacht wird. Diese können außerdem auch dazu verwendet werden, um die Rohrleitung entlang der Hausfassade weiterzuverlegen. Beachten Sie aber, dass eine möglichst kurze Montage empfohlen wird, um das ganze Jahr über eine umfassende Funktionalität zu gewährleisten.



## Verlegen der Urinableitung

Im Lieferumfang der Toilette ist ein 2 m langer Urinschlauch enthalten. Um diesen an die Toilette anzuschließen, verwenden Sie den mitgelieferten geraden Rohrverbinder oder den 90-Grad-Rohrverbinder. Ähnlich wie bei der Montage von Lüftungsrohren kann auch die Urinableitung so angeschlossen werden, dass im jeweiligen Raum der Toilette keine Leitungen zu sehen sind. Dazu winkeln Sie den 90-Grad-Verbinder gemäß nachfolgender Abbildung nach unten oder nach hinten.

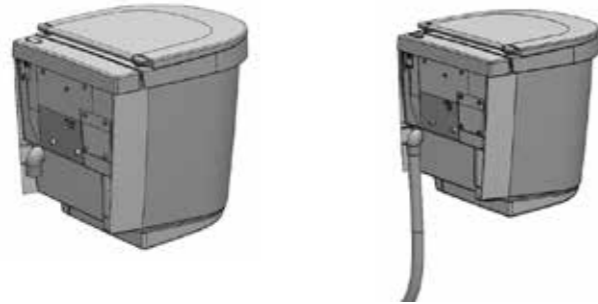
### Empfehlungen für die Montage der Urinableitung

Ähnlich wie bei der Lüftungsleitung kann bei Tiny auch die Urinableitung so verlegt werden, dass die Rohre im jeweiligen Raum verborgen bleiben. Im Folgenden finden Sie ein paar Tipps, die Sie befolgen sollten, um über einen längeren Zeitraum und das ganze Jahr über eine gute Funktionalität der Urinableitung zu gewährleisten.

- Wenn Sie durch eine isolierte Wand oder eine Wand mit einem Luftspalt zwischen Innen- und Außenwand gehen, müssen Sie bei der Durchführung ein Rohr verwenden oder alternativ den Schlauch durch ein Rohr leiten. Rohre werden verwendet, um das Risiko von Schädlingen zu verringern, die die Leitung beschädigen könnten.
- Wenn Sie den Urin über eine längere Distanz als die 2 m ableiten lassen müssen, die der mitgelieferte Schlauch misst, müssen Sie nach diesen 2 Metern auf ein Rohr überwechseln. Da in Urin Salze enthalten sind, die sich in den Rohren/Schläuchen ablagern können, empfehlen wir bei einer Montage von mehr als zwei Metern einen Durchmesser von mindestens 40 mm für das nachfolgende Rohr, um ein Verstopfen zu vermeiden.
- Stellen Sie sicher, dass bei der gesamten Rohrleitung immer ein Gefälle von mindestens 2 Grad gegeben ist. Sorgen Sie außerdem dafür, dass durch Krümmungen des Schlauchs keine Luftpneumien entstehen.
- Wenn die Toilette im Winter benutzt werden soll, müssen die im Außenbereich verlegten Rohre einen Durchmesser von mindestens 40 mm aufweisen.
- Darüber hinaus empfehlen wir bei einem Gebrauch in der Winterzeit, dass die Teile des Rohrs, die sich im Außenbereich befinden, mit einer Rohrisolierung isoliert werden. Eine solche Isolierung ist in den meisten Baumärkten erhältlich.
- Eine wichtige Regel bei Montagen von mehr als zwei Metern lautet: Je früher Sie auf Rohre mit einem größeren Durchmesser übergehen, desto geringer ist das Risiko, dass das Rohr verstopft.
- Platzieren Sie keine Rohrverbindungen in der Nähe von Elektrogeräten oder Wandsteckdosen. Damit soll verhindert werden, dass im Falle eines Lecks Flüssigkeiten mit Elektrizität in Kontakt kommen.

## Montage ohne sichtbare Urinableitung

Für die Montage ohne sichtbare Leitung verwenden Sie den 90-Grad-Rohrverbinder, um den Urin nach unten abzuleiten, oder den geraden Rohrverbinder, um ihn nach hinten abzuleiten. Sehen Sie dazu die Abbildungen unten. Verwenden Sie die beiliegende Skizze mit den Montageabmessungen, um die Löcher in der Wand oder im Boden an der richtigen Stelle zu platzieren.



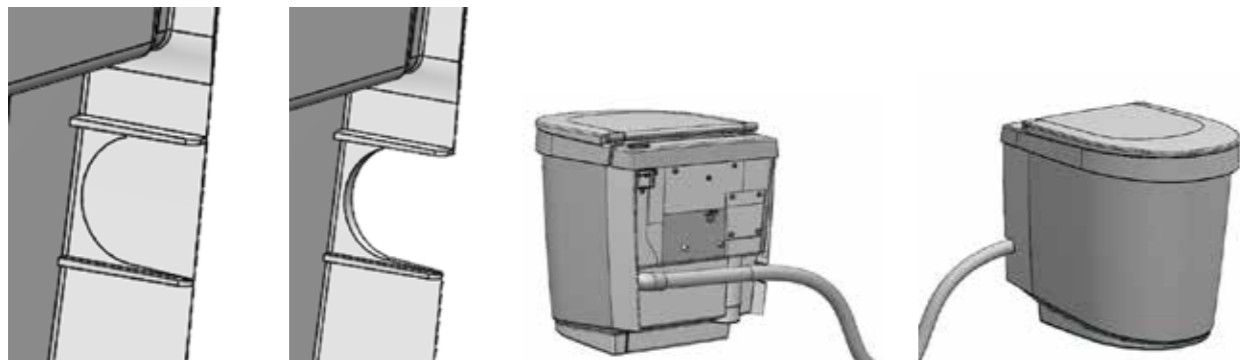
## Montage mit sichtbarer Urinableitung

In Fällen, bei denen eine Montage ohne sichtbare Rohre nicht möglich ist, wird ein 90-Grad-Rohrverbinder verwendet, um die Urinableitung – wie auf den folgenden Abbildungen veranschaulicht – zur Seite (rechts oder links) zu verlegen.



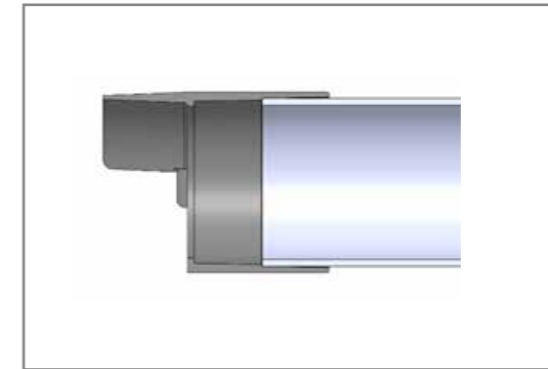
Wird die Urinableitung seitlich verlegt, wenn die Toilette gegen die Wand platziert wird, muss der Urinschlauch durch die Seite der Toilette geführt werden. Dies erfordert, dass Sie ein Loch in den Kunststoff bohren. Verwenden Sie für ein optimales Ergebnis denselben Bohrer, den Sie beim Bohren der Löcher in die Wand genutzt haben. Auf jeder Seite der Toilette ist gekennzeichnet, wo das Loch jeweils gebohrt werden soll – siehe Abbildungen unten. Wenn der Zugang mit dem Bohrer von innen schwierig ist, bohren Sie zuerst am besten mit einem kleinen Bohrer mittig ein kleines Loch, um anschließend von außen weiterzubohren. Mit einem Messer oder Sandpapier können Sie einen feinen Rand erlangen.

Wenn die Urinableitung weiter in den Raum verlegt werden soll, nutzen Sie die mitgelieferte Wandhalterung für den Urinschlauch. Sorgen Sie dafür, dass die Leitung durchgehend ein Gefälle aufweist und Sie die Empfehlungen zum Verlegen der Urinableitung gelesen haben.

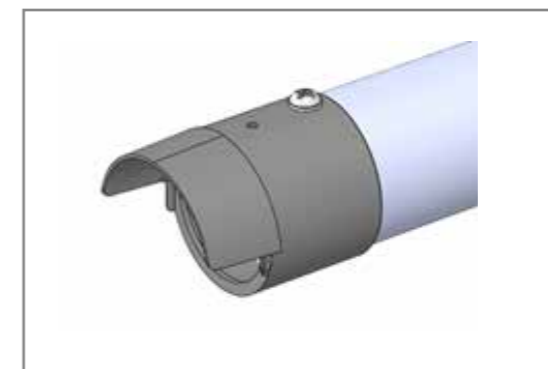
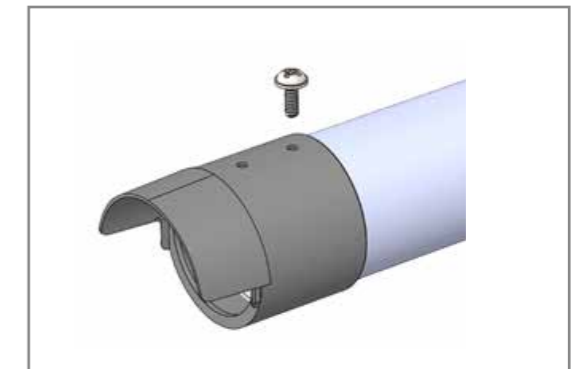
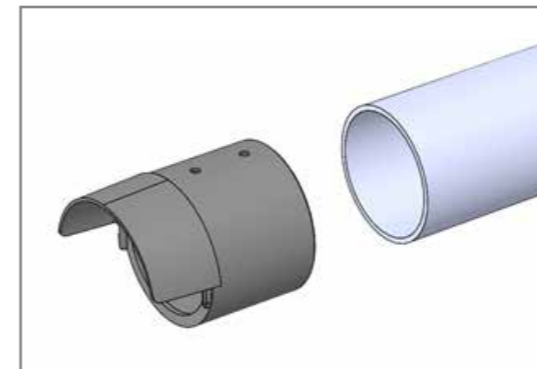


## Montage des Lüftungsgitters oder der Regenhaube

Es muss sichergestellt sein, dass das Endstück des Lüftungsrohrs vor Regen und Schnee geschützt ist und Insekten nicht in die Toilette gelangen können. Für diesen Zweck ist im Lieferumfang ein Lüftungsgitter mit integriertem Insektenschutz enthalten. Dieses Lüftungsgitter wird verwendet, wenn das Rohrende horizontal verlegt ist, und es muss mit der Abschirmfläche nach oben montiert werden, um vor Regen und Schnee zu schützen. Das Lüftungsgitter eignet sich sowohl für 50-mm- als auch für 1,5-Zoll-Rohre. 50-mm-Rohre können bis zur Hälfte eingeschoben werden, und 1,5-Zoll-Rohre vollständig. Siehe Abbildung unten.



Das Lüftungsgitter kann am Rohr befestigt werden, indem das Rohr gemäß Kennzeichnung auf dem Teil festgeschraubt wird.

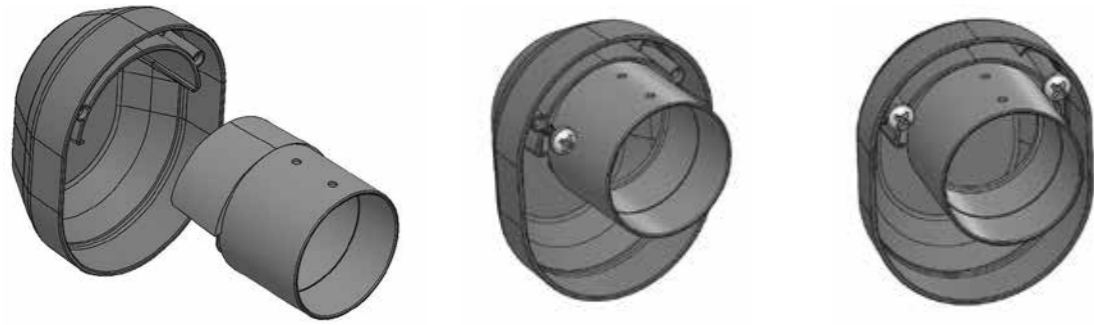


Ist das Rohrende vertikal verlegt, wird die mitgelieferte Regenhaube zusammen mit dem Lüftungsgitter verwendet, um zu gewährleisten, dass Regen und Schnee nicht in das Rohr gelangen.

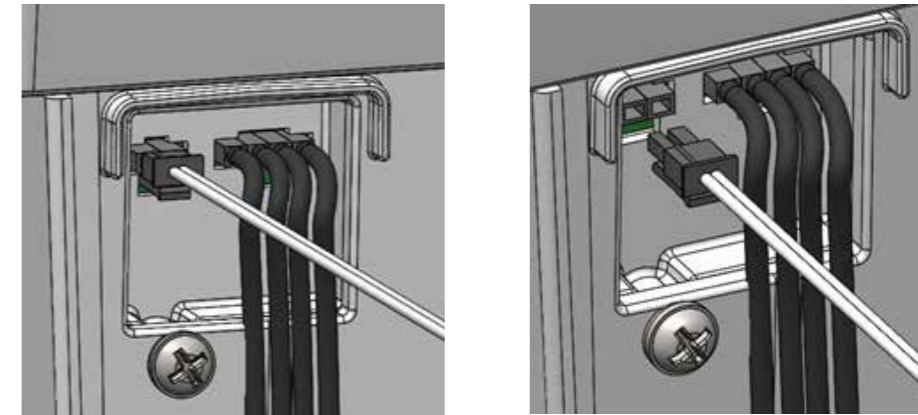
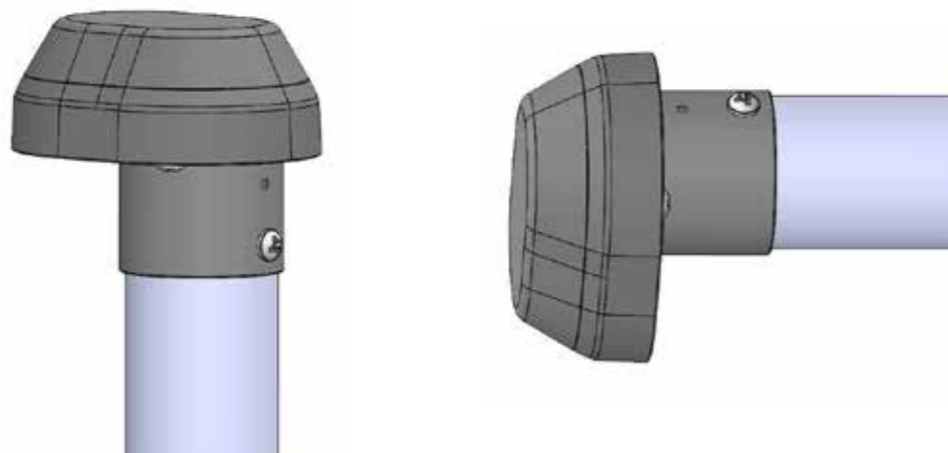
Lüftungsgitter und Regenhaube werden wie unten veranschaulicht mit den beiden mitgelieferten Schrauben zusammenmontiert.

## Anschließen an eine Stromquelle

Wird die Toilette gegen die Wand montiert, muss das Stromkabel bereits vor der Befestigung an die Toilette angeschlossen werden. Denn nach der Wandmontage ist der Anschluss nicht mehr zugänglich.



Die zusammengebauten Teile werden dann wie in den vorherigen Abschnitten gezeigt als Rohrende montiert. Es ist auch möglich, den Regenmantel an einem horizontalen Rohrende unter anspruchsvolleren Bedingungen zu verwenden, um einen besseren Schutz gegen Wetter und Wind zu gewährleisten.

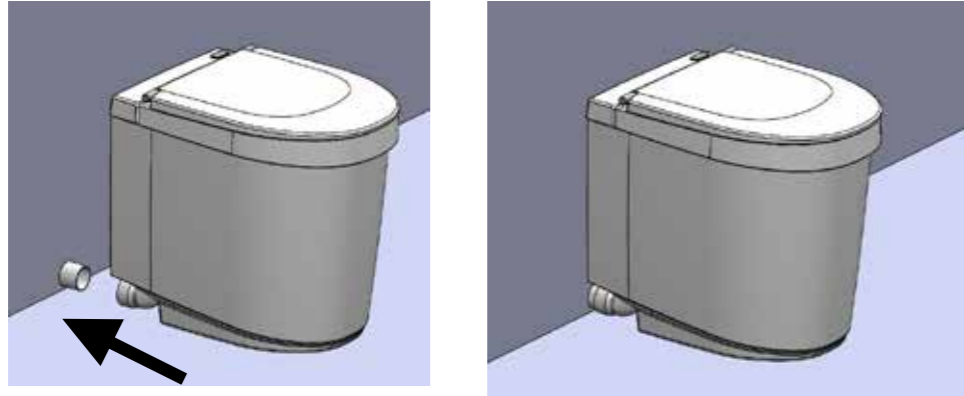


Die Toilette muss an eine Stromquelle angeschlossen werden. Im Lieferumfang ist ein Batterie-Eliminator für 110–240 V sowie ein 12-V-Batteriekabel enthalten. Unabhängig von der Wahl der Stromquelle werden die Kabel an der Rückseite der Toilette am markierten Anschluss – siehe Abbildung oben – angesteckt. Stellen Sie sicher, dass der Stecker gut angebracht ist.

*Sie können prüfen, dass die Toilette mit Strom versorgt wird, indem Sie fühlen, ob Luft durch den Lüftungsauslass strömt.*



## Anschließen der Toilette an das Lüftungsrohr und die Urinableitung



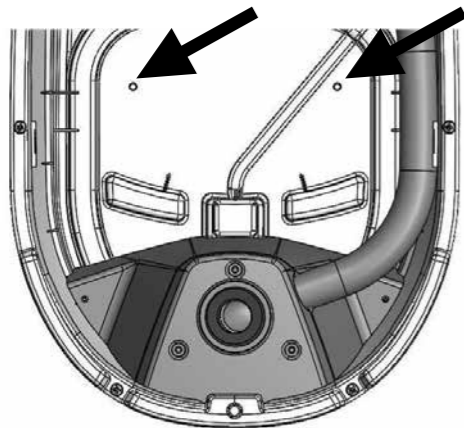
## Befestigung der Toilette

**HINWEIS!** Schließen Sie das Stromkabel vor dem Befestigen der Toilette an. Denn nach dem Befestigen ist die Rückseite der Toilette, wo das Kabel angeschlossen wird, nicht mehr zugänglich.

Tiny ist so konzipiert, dass die Toilette an Boden oder Wand angeschraubt werden kann. Für eine optimale Stabilität werden am besten beide Optionen kombiniert.

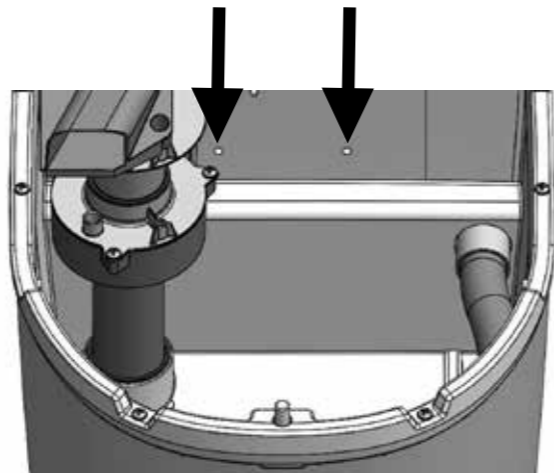
### Boden

Verwenden Sie zum Befestigen der Toilette am Boden die mitgelieferte Schraube oder eine andere für diesen Zweck geeignete Schraube. Es gibt zwei vorgesehene Schraubenlöcher im Boden der Toilette, der Kunststoff in der Mitte des Lochs wird mit einem geeigneten Werkzeug entfernt.



### Wand

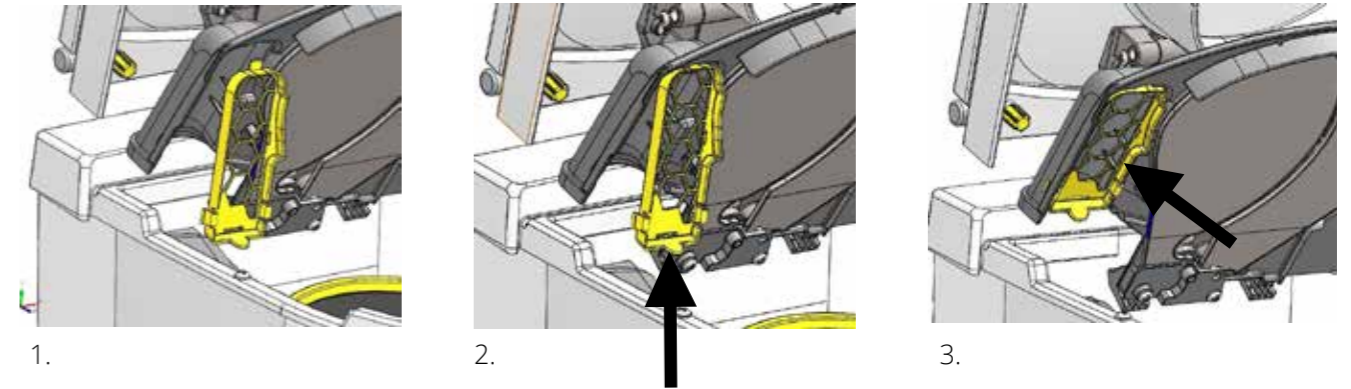
Verwenden Sie die mitgelieferte Unterlegscheibe und schrauben Sie zum Befestigen an der Wand die folgenden Löcher ein.



## Den festen Lüfterfilter montieren

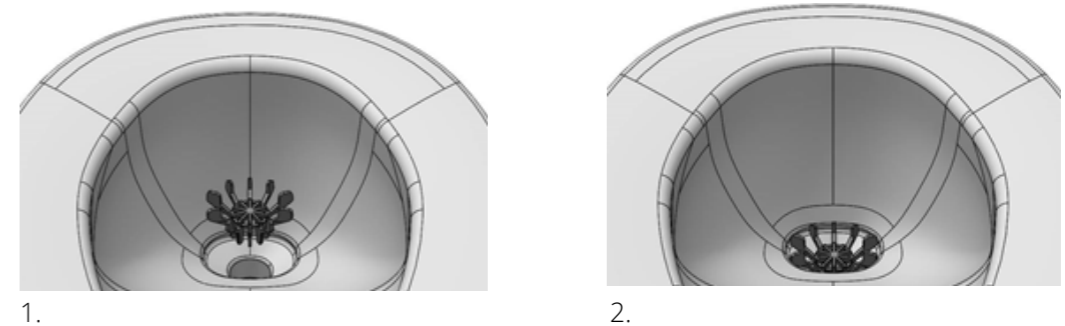
Um ein geruchsneutrales Badezimmer und ein Austrocknen des Feststoffs zu gewährleisten, wird die Toilette ständig belüftet. Damit der Lüfter vor Schmutz und Staub geschützt ist, wird in den Luftkanal ein Filter eingesetzt. Dieser Filter ist bei Lieferung nicht montiert, sondern soll vor Ort wie unten abgebildet eingesetzt werden. Um eine gute Funktionalität zu gewährleisten, sollte der Filter in regelmäßigen Abständen gereinigt werden.

Führen Sie die folgenden Schritte aus, um den gelben Lüfterfilter in der Toilette anzubringen:



## Das Körbchen für den Ablaufreiniger einsetzen

Platzieren Sie das mitgelieferte Körbchen für den Ablaufreiniger im Urinkanal. Das Netz sorgt dafür, dass keine großen Gegenstände in die Urinableitung gelangen.





## ATTENTION!

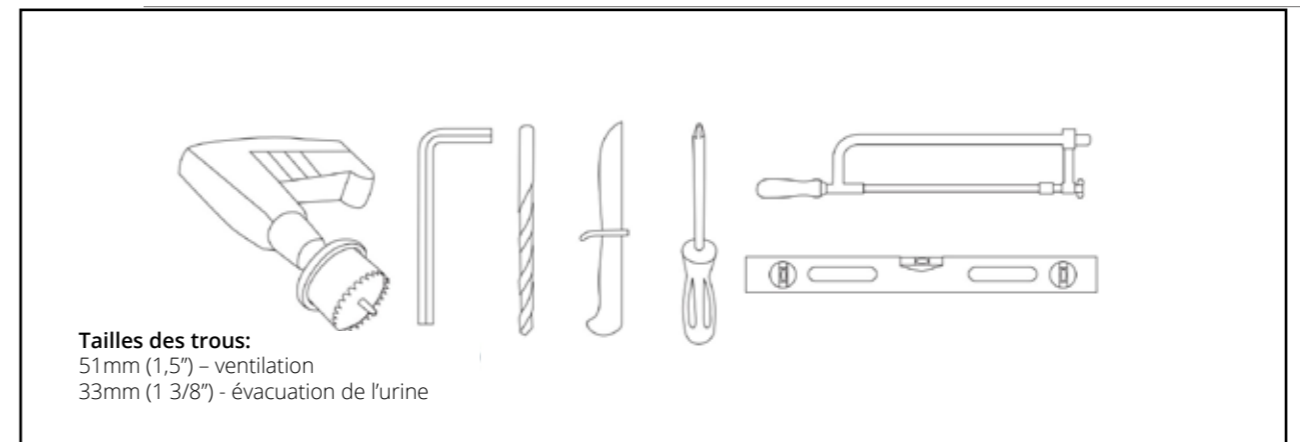
Avant de percer les murs ou les sols, assurez-vous que la zone de forage du mur permet de percer un trou et que la tuyauterie répond à toutes les exigences de construction. Gardez à l'esprit que le mur peut cacher, par exemple : un câblage électrique, une tuyauterie, un matériau d'étanchéité, une construction porteuse.

**Note importante :** toujours demander à l'agence environnementale compétente quelles sont les règles applicables dans votre commune. Toujours respecter les réglementations locales.  
Voir également la vidéo d'installation sur [www.separett.com](http://www.separett.com)

Pour des toilettes sans odeurs, le ventilateur doit être constamment en marche pour pouvoir ventiler et recevoir de l'air non vicié à redistribuer. Pour ce faire :

1. aucun autre ventilateur ou extracteur ne doit se trouver dans la même pièce,
2. assurez-vous que l'air renouvelé pénètre dans la pièce depuis l'extérieur. L'adduction d'air doit être aussi proche que possible des toilettes.

## Outillage utile



## Inclus avec le produit

|   |   |  |   |
|---|---|--|---|
| 1 x coude à 90 degrés                             |    | 1 x grille de ventilation 50 mm / 1,5" |    |
| 1 x tuyau pour passage de mur de 40 cm (15,75")   |    | 1 x coupe-vent Tiny                    |    |
| Échantillon de nettoyant de l'évacuation          |    | 2 x vis pour coupe-vent                |    |
| Échantillon de sacs à composter                   |    | 1 x schéma coté de montage             |    |
| Échantillon de ruban absorbant                    |    | 1 x alimentation électrique            |   |
| 1 x prolongateur d'urinoir                        |  | 1 x filtre de ventilateur              |  |
| 3 x vis de montage pour fixation murale ou au sol |  | 1 x flexible pour l'urine              |  |
| 1 x couvercle de bac à déchets                    |  | 1 x manchon droit de 32 mm             |  |
| 1 x adaptateur de tuyau 50 mm à 1,5" (annexe 40)  |  | 1 x coude de 32 mm à 90°               |  |
| 1 x panier pour le nettoyant de l'évacuation Tiny |  |  |   |

## Étapes de l'installation

Lisez en détail sous chacune des rubriques

1. Emplacement des toilettes
2. Percer selon le schéma coté
3. Installation de la gaine de ventilation
4. Installer la tuyauterie pour l'urine
5. Installer la grille de ventilation ou le coupe-vent
6. Raccorder l'électricité aux toilettes
7. Raccorder les toilettes à la gaine de ventilation et au flexible pour l'urine
8. Fixer les toilettes au mur ou au sol ou aux deux
9. Fixer le filtre de ventilateur
10. Placer le panier pour le nettoyant de l'évacuation

## Emplacement des toilettes

Separett Tiny ne requiert aucune condition particulière de température et est adapté aussi bien aux endroits chauds qu'aux endroits froids. Il faut cependant pouvoir évacuer l'urine et installer une gaine de ventilation.

Les toilettes sont conçues pour reposer au sol adossées au mur. Pour une stabilité accrue, il convient de les fixer au sol, au mur ou aux deux.

## Percer selon le schéma coté

Le schéma coté ci-joint illustre les options possibles de l'installation de l'évacuation de l'urinoir et de la gaine de ventilation à travers le mur derrière les toilettes ou à travers le sol. Ces options permettent une installation sans canalisation apparente.

## Installation de la gaine de ventilation

Les toilettes sont conçues pour des canalisations de 50 mm (dimensions extérieures). Pour un fonctionnement optimal, il est recommandé d'utiliser le kit d'installation de Separett qui comprend des canalisations et des angles aux bonnes dimensions.

Vous pouvez installer Separett Tiny avec une gaine de ventilation allant jusqu'à 5 m et deux coudes à 90°. La ventilation peut passer à travers le mur, le sol ou le plafond, avec par exemple une entrée dans le lit du vent froid et une sortie du côté approprié de la maison. S'il y a une gaine de ventilation d'une précédente installation, les toilettes peuvent être raccordées à cette gaine, sous réserve qu'elle ne soit pas inférieure à 50 mm et qu'elle réponde aux normes d'une gaine d'extraction. Si besoin, vous pouvez installer une gaine d'extraction plus longue qui va au-delà des recommandations ci-dessus en installant un extracteur supplémentaire. (Produit n° : 13008)

Un raccord pour accoupler la canalisation de 40 cm de long et de 50 mm de diamètre à un tuyau de 1,5" (annexe 40) est fourni avec les toilettes. Pour plus d'informations à ce sujet, consultez la partie X.

### X. Lors du raccordement des toilettes à une canalisation de 1,5"

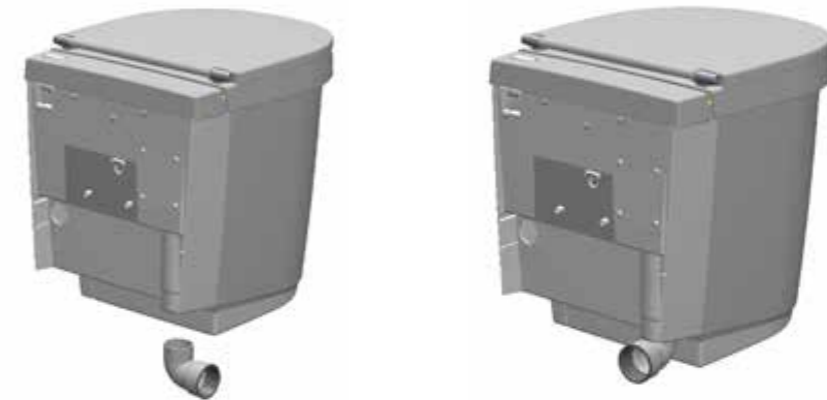
*Utilisez une longueur de canalisation aussi courte et élémentaire que possible puisque le diamètre intérieur de ces canalisations est inférieur aux canalisations du kit de ventilation de Separett, d'où des restrictions de débit air. Pour ces installations, un maximum de 4 m de canalisation et 2 coudes à 90° sont recommandés.*

Les toilettes sont conçues pour un raccordement direct à une canalisation de 50 mm. Un raccord pour accoupler des canalisations de 1,5" (annexe 40) aux toilettes est inclus. Le tuyau de 50 mm, qui est fourni, est utilisé pour être raccordé aux toilettes ou au coude à 90°, également fourni. Coupez le tuyau de 50 mm à la bonne longueur. Utilisez le raccord pour poursuivre l'installation avec des tuyaux de 1,5" (annexe 40).

Les tuyaux de 1,5" (annexe 40) ont un diamètre intérieur plus petit. Lors de leur utilisation, exercez une traction aussi brève et élémentaire que possible afin d'obtenir un bon fonctionnement. La longueur totale des tuyaux doit être inférieure à 4 m et 2 courbure maximale de 90° est recommandée.

## Installation sans canalisation apparente

Le coude à 90°, qui est fourni, est utilisé pour faire glisser les tuyaux vers l'arrière ou sur le côté. Placez le coude comme illustré ci-dessous et tournez-le vers l'arrière. Le coude peut s'avérer difficile à mettre en place. Utilisez de la vaseline, par exemple, pour faciliter l'assemblage.



La gaine de ventilation, qui est fournie, est ensuite raccordée au coude à 90°. La gaine de 40 cm suffit normalement pour traverser la paroi extérieure. Lorsque des gaines supplémentaires sont nécessaires pour évacuer l'air à l'extérieur de la maison, un kit de ventilation de Separett (produit n° 1344) pour Tiny est recommandé. Celui-ci comprend 4 m de gaine et des coudes pour monter simplement une installation supplémentaire. Vous pouvez également l'utiliser pour déplacer plus avant la gaine sur la façade de la maison. Notez qu'une installation aussi courte que possible est recommandée pour garantir un fonctionnement optimal toute l'année.



Lorsque l'installation traverse le plancher, la gaine est directement accouplée aux toilettes comme illustré ci-dessous.

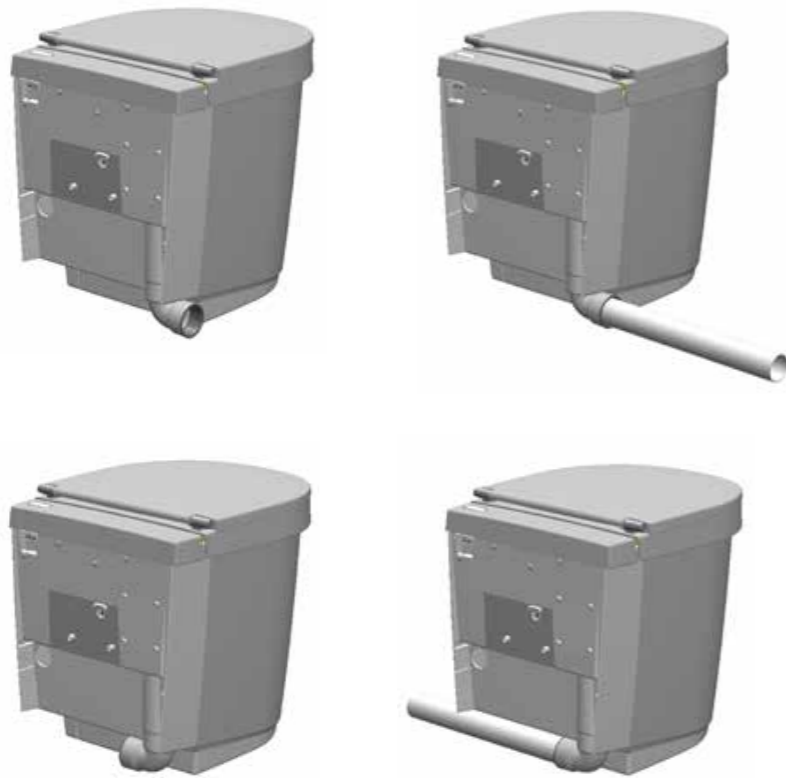
Le croquis ci-dessous illustre ce à quoi ressemble un raccord à Tiny.



## Installation alternative avec canalisations apparentes

Dans le cas où une installation sans canalisations apparentes est impossible, la gaine de ventilation est dirigée vers la droite ou la gauche, en pivotant le coude à 90° comme illustré ci-dessous. Le déploiement de la gaine est alors réalisé conformément aux recommandations valant pour la pose de gaines de ventilation.

Lorsque des gaines supplémentaires sont nécessaires pour évacuer l'air à l'extérieur de la maison, un kit de ventilation de Separett pour Tiny est recommandé. Celui-ci comprend 4 m de gaine et des coudes pour monter simplement une installation supplémentaire. Vous pouvez également l'utiliser pour déplacer plus avant la gaine sur la façade de la maison. Notez qu'une installation aussi courte que possible est recommandée pour garantir un fonctionnement optimal toute l'année.



## Installer la tuyauterie pour l'urine

Les toilettes sont livrées avec un flexible pour l'urine de 2 m. Pour le raccorder aux toilettes, utilisez un manchon droit, qui est fourni, ou le manchon coudé à 90°. Comme pour l'installation de la gaine de ventilation, vous pouvez raccorder le flexible pour l'urine de sorte qu'aucun tuyau ne soit apparent à l'endroit où sont installées les toilettes. Pour cela, pivotez le coude à 90° vers le bas ou vers l'arrière conformément aux illustrations ci-dessous.

### Recommandations lors de l'installation d'un flexible pour l'urine

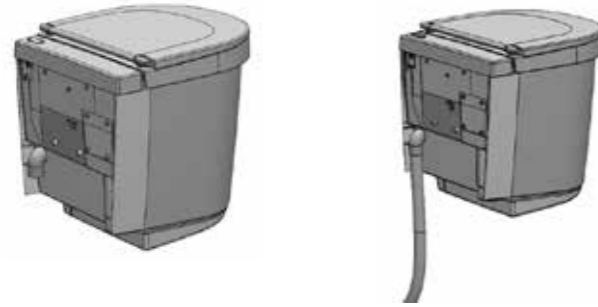
Tout comme pour la gaine de ventilation, avec Tiny, le flexible pour l'urine peut être déployé sans canalisations apparentes dans les toilettes. Voici quelques conseils à suivre pour un bon fonctionnement du flexible pour l'urine à long terme et tout au long de l'année.

- Si vous traversez un mur isolé ou un mur avec un espace d'air entre les parois intérieure et extérieure, vous devez utiliser une tuyauterie lors du passage ou faire passer le flexible dans un tube. Les tubes sont utilisés pour réduire le risque que des nuisibles endommagent le tuyau.
- Si l'urine est déversée sur une distance supérieure aux 2 m de longueur du flexible fourni, il faut, au-delà des 2 m, utiliser un tuyau. Étant donné que l'urine contient des sels pouvant s'accumuler dans les flexibles et tuyaux, nous recommandons, pour une installation de plus de 2 m, que le tuyau de prolongement ait un diamètre d'au moins 40 mm pour éviter les bouchons.
- Veillez à toujours avoir une pente d'au moins 2° dans l'ensemble de la tuyauterie ; veillez également à ce qu'aucune poche d'air ne soit occasionnée par une courbure du flexible.
- Si vous utilisez les toilettes en hiver, les tuyaux tirés à l'extérieur doivent avoir un diamètre d'au moins 40 mm.
- Si vous utilisez les toilettes en hiver, nous vous recommandons d'isoler les parties du tuyau qui sont à l'extérieur avec de l'isolant à tuyau. Vous pouvez acheter de l'isolant dans la plupart des magasins de bricolage.
- Une règle importante pour les installations longues (plus de 2 m) est que plus vous passerez rapidement à des tuyaux de plus grand diamètre, moins vous encourez de risque de bouchon.
- Ne pas monter de manchons droits à proximité d'appareils électriques ou de prises murales. Cela afin d'éviter qu'un liquide n'entre en contact avec l'électricité en cas de fuite.



## Installation sans flexible pour l'urine apparent

Pour un montage sans tuyaux apparents, le coude à 90° est utilisé pour guider l'urine vers le bas ou le manchon droit pour aller vers l'arrière, comme illustré. Utilisez le schéma coté ci-joint pour positionner les trous dans le mur ou dans le sol à la bonne place.



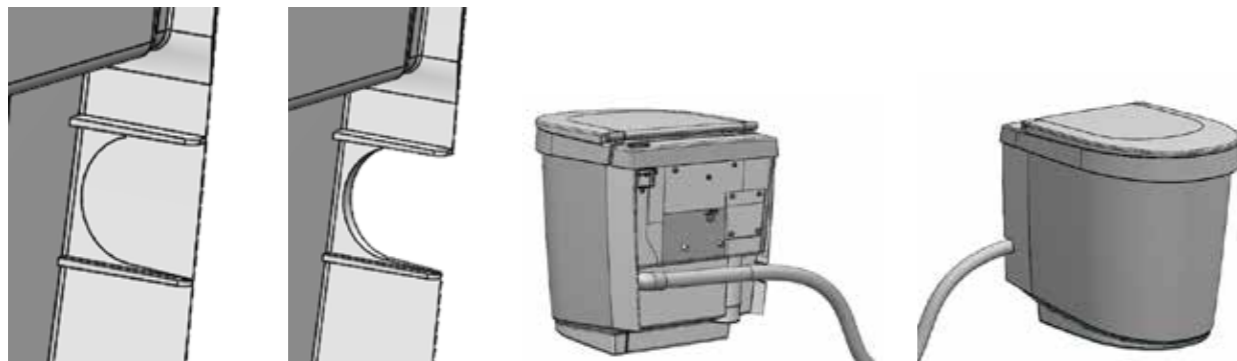
## Installation avec flexible pour l'urine apparent

Dans le cas où l'installation sans canalisations apparentes n'est pas possible, utilisez un coude à 90° pour tirer le flexible pour l'urine sur le côté (droit ou gauche), conformément aux illustrations ci-dessous.



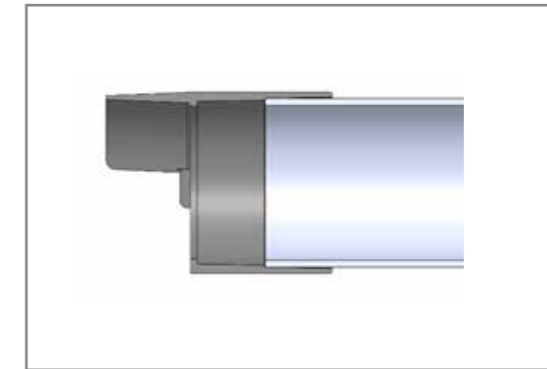
Si le flexible pour l'urine est installé sur le côté et les toilettes contre le mur, il doit alors traverser le côté des toilettes, ce qui nécessite de percer le plastique. Pour un meilleur résultat, utilisez le même foret que celui utilisé pour percer le mur. De chaque côté des toilettes, une indication montre où le trou doit être fait (cf. les illustrations ci-dessous). S'il est difficile de percer de l'intérieur, utilisez une petite perceuse pour faire un petit trou centré, puis percez de l'extérieur. Utilisez un couteau ou du papier de verre pour obtenir une bordure nette.

Si le flexible pour l'urine est tiré plus loin dans la pièce, utilisez le support mural pour flexible à urine fourni. Veillez à ce que le flexible soit incliné sur toute sa longueur et lisez attentivement les recommandations pour déployer le flexible à urine.

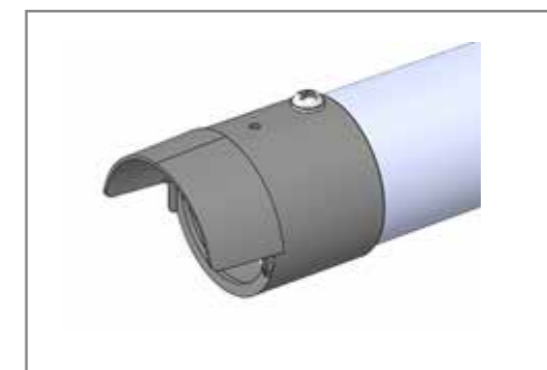
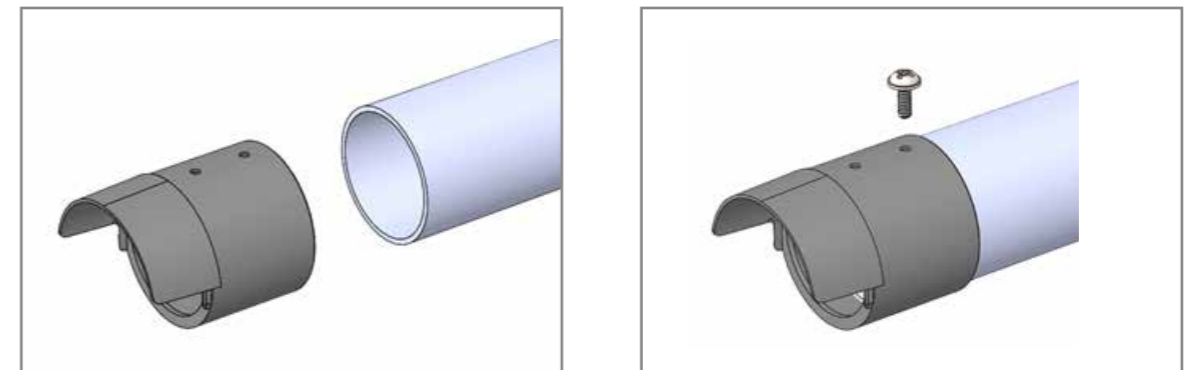


## Installation de la grille de ventilation ou de la couverture de ventilation

Il est important de veiller à ce que l'extrémité de la gaine de ventilation soit protégée de la pluie, de la neige et empêche les insectes de pénétrer dans les toilettes. Pour ce faire, les toilettes sont équipées d'une grille de ventilation avec une moustiquaire intégrée. Cette grille de ventilation est utilisée lorsque l'extrémité du tuyau est horizontale et montée avec l'écran vers le haut pour protéger de la pluie et de la neige. La grille de ventilation convient aux tuyaux de 50 mm et de 1,5". Un tuyau de 50 mm occupe la moitié de l'espace et un tuyau de 1,5" occupe tout l'espace. Cf. l'illustration ci-dessous.

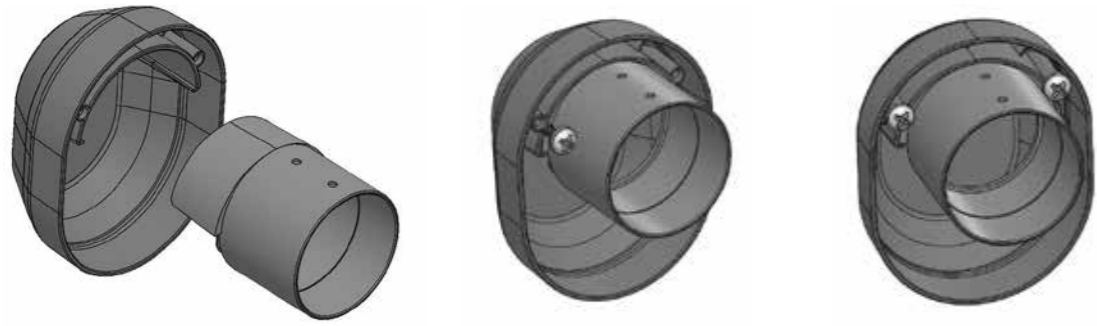


La grille de ventilation est fixée en vissant le tuyau conformément aux instructions sur la pièce.

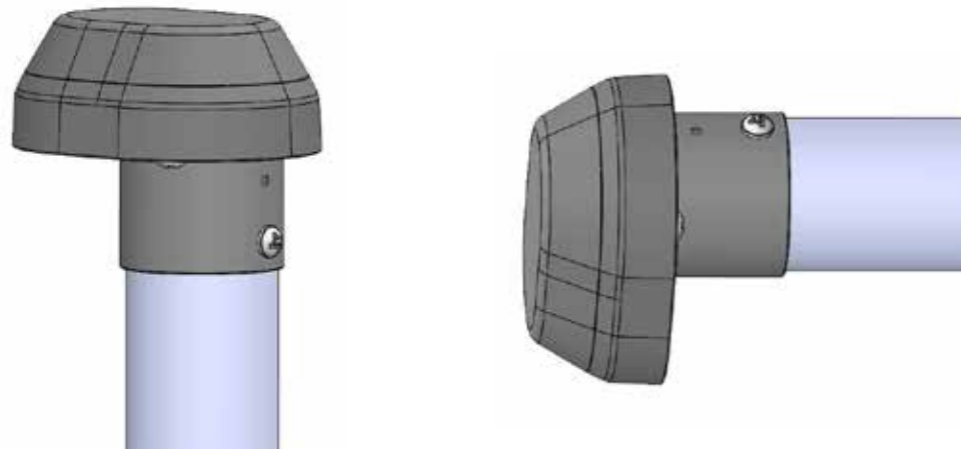


Lorsque le tuyau et son extrémité sont à la verticale, utilisez la couverture de ventilation fournie avec la gaine de ventilation pour garantir que la pluie et la neige ne pénètrent pas dans le tuyau.

La grille de ventilation et la protection sont montées à l'aide des deux vis fournies comme illustré ci-dessous.

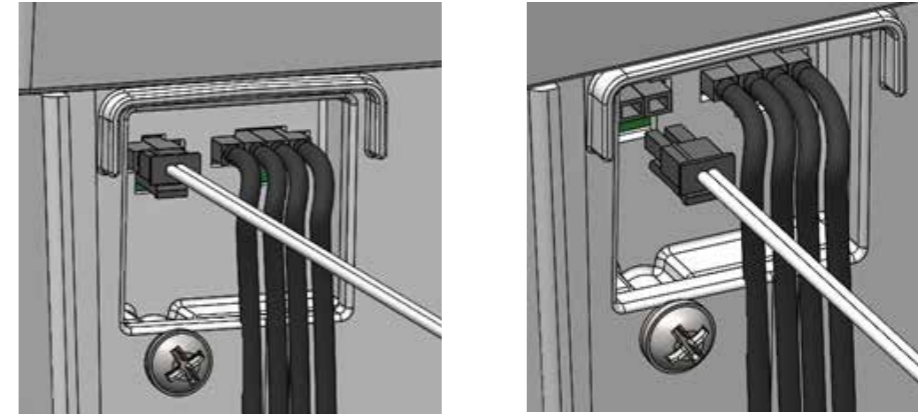


Les pièces assemblées sont ensuite montées comme extrémités de tuyau de la même manière que celle indiquée dans les sections précédentes. Il est également possible d'utiliser la housse de pluie à une extrémité de tuyau horizontale dans des conditions plus exigeantes pour assurer une meilleure protection contre les intempéries et le vent.



## Raccorder l'électricité aux toilettes

Si les toilettes sont montées contre un mur, raccordez le cordon d'alimentation aux toilettes avant qu'elles ne soient fixées. Après un montage mural, le raccordement n'est plus accessible.

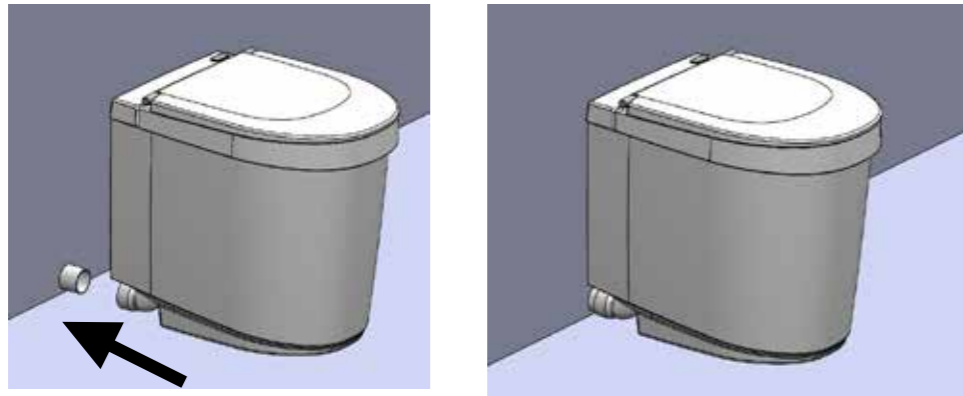


Les toilettes doivent être raccordées à une source d'alimentation. Les toilettes sont livrées avec une alimentation électrique 110-240 V et un câble 12 V. Quel que soit le choix de la source d'alimentation, le câblage est raccordé à l'arrière des toilettes à l'entrée indiquée sur l'illustration ci-dessus. Veillez à ce que les branchements soient correctement réalisés.

*Vérifiez que les toilettes sont sous tension en contrôlant que de l'air circule bien à travers la gaine de ventilation.*



## Raccorder les toilettes à la gaine de ventilation et au flexible pour l'urine



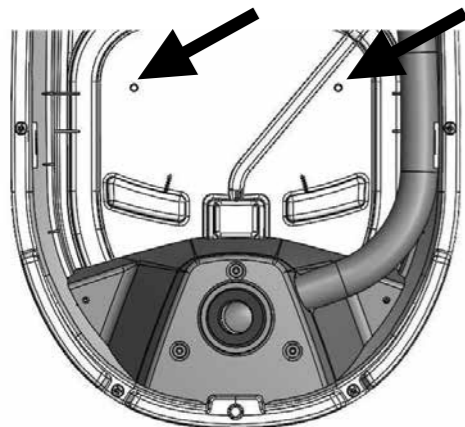
## Réparer les toilettes

**Note importante :** raccordez le cordon d'alimentation aux toilettes avant de les installer. Une fois installées, vous n'aurez plus accès à l'arrière des toilettes où le câble doit être raccordé.

Tiny est conçu pour que les toilettes soient vissées au sol ou au mur. Pour une meilleure stabilité, les deux options peuvent être combinées.

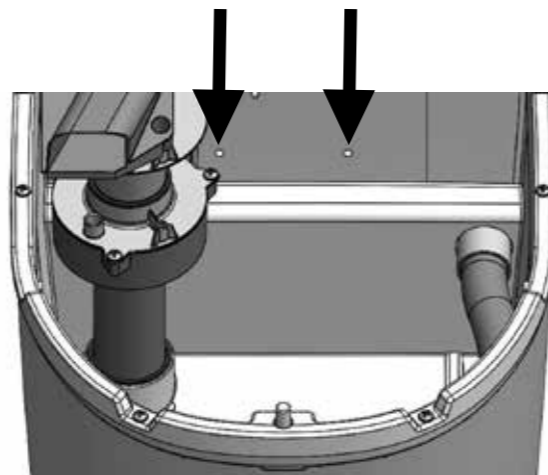
### Sol

Pour fixer les toilettes au sol, utilisez la vis fournie ou une autre vis adaptée à cet usage. Il y a deux trous de vis dans le fond de la toilette, le plastique au milieu du trou est enlevé avec un outil approprié.



### Mur

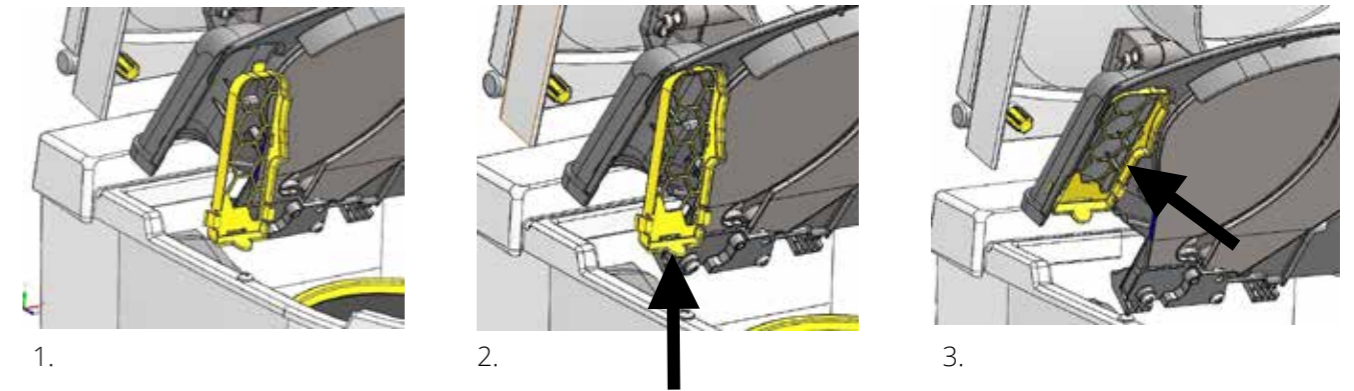
Utilisez la rondelle fournie et vissez dans les trous suivants pour une fixation murale.



## Fixer le filtre de ventilateur

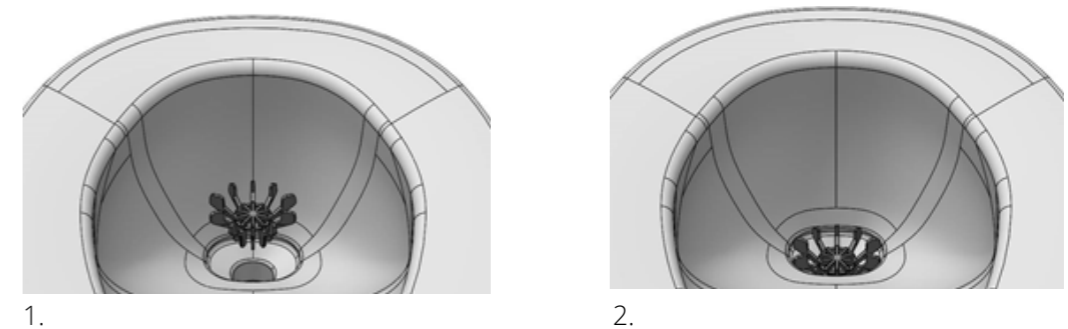
Pour une salle de bain sans odeurs et une dessiccation des dépôts, les toilettes sont ventilées en continu. Pour protéger le ventilateur en fonctionnement des saletés et des poussières, on place un filtre dans le conduit d'air. Lors de la livraison, le filtre n'est pas monté. Installez-le conformément à l'illustration ci-dessous. Pour un bon fonctionnement, nettoyez le filtre régulièrement.

Pour installer le filtre jaune dans les toilettes, suivez les étapes ci-dessous :



## Placer le panier pour le nettoyant de l'évacuation

Placez le panier pour le nettoyant de l'évacuation, fourni, dans la canalisation de l'urinoir. La trémie garantit qu'aucun gros déchet ne pénètre dans le flexible pour l'urine.





## ¡ADVERTENCIA!

Antes de hacer orificios en paredes o el suelo, asegúrese de que el sitio donde perforará la pared sea adecuado para hacer un orificio y que la tubería cumpla con los requisitos de construcción que pudieran ser aplicables. Tenga en cuenta que las paredes pueden esconder, por ejemplo: cableado eléctrico, tuberías, capas de material impermeabilizante, la estructura portante, etc.

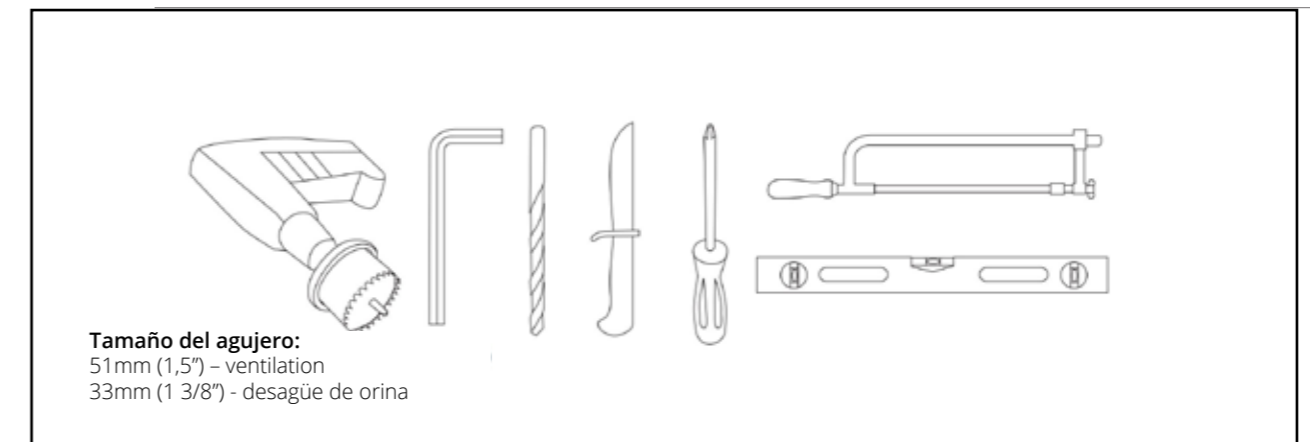
**¡IMPORTANTE!** Pregunte siempre a las autoridades de medioambiente qué normas se aplican en su región. Observe siempre las normas locales.

Adicionalmente, consulte el video de instalación disponible en [www.separett.com](http://www.separett.com)

Para que el inodoro esté libre de olores, se requiere que el ventilador del inodoro funcione de manera constante, a fin de que ventile y pueda atraer aire fresco para ventilar. Para lograr esto, se requiere lo siguiente:

1. No debe haber ningún otro ventilador/ventilación en el mismo sitio que también expulse aire.
2. Asegúrese de que entre aire fresco al sitio desde el exterior. La entrada de aire debe estar lo más cerca posible del inodoro.

## Herramientas útiles



## Componentes suministrados con el producto

1 conexión de 90 grados



1 rejilla de ventilación  
50 mm/1,5 pulgadas



1 tubo de 40 cm (15,75 pulgadas)  
para atravesar paredes



1 sombrerete de ventilación Tiny



Muestra de purificador de  
aguas residuales



2 tornillos para sombrerete  
de ventilación



Muestra de Bolsas biodegradables



1 croquis de medidas  
de instalación



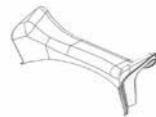
Muestra de toallas absorbentes



1 eliminador de baterías



1 extensor de cuenco de orina



1 filtro de ventilador



3 tornillos de montaje para  
sujeción en pared o suelo



1 manguera para desagüe  
de orina



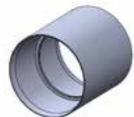
1 tapa del contenedor  
de desechos



1 tubo conector recto  
de 32 mm



1 adaptador de tubo de 50 mm  
a 1,5 pulgadas (schedule 40)



1 tubo conector de 90 grados  
de 32 mm



1 cesta para purificador de  
aguas residuales Tiny



## Pasos para la instalación

*Lea la información bajo cada título*

1. Ubicación del inodoro
2. Hacer orificios conforme al croquis de medidas
3. Tubería de ventilación
4. Colocar la cañería para orina
5. Instalar la rejilla de ventilación o el sombrerete de ventilación
6. Conectar el inodoro a la corriente eléctrica
7. Conectar el inodoro a la tubería de ventilación y la cañería para orina
8. Fijar el inodoro a la pared y/o al piso
9. Instalar fijamente el filtro de ventilador
10. Colocar la cesta para el purificador de aguas residuales

## Ubicación del inodoro

Separett Tiny no tiene requisitos específicos de temperatura ambiente y funciona tanto en espacios fríos como cálidos. Los requisitos son que sea posible drenar la orina e instalar una tubería de ventilación.

El inodoro está hecho para colocarse en el piso y contra una pared; además, debe sujetarse al piso, la pared o ambos para mayor estabilidad.

## Hacer orificios conforme al croquis de medidas

El croquis de medidas adjunto muestra las posibles opciones de instalación para el desagüe de orina y la tubería de ventilación a través de la pared detrás del inodoro o a través del piso. Estas opciones proporcionan una instalación sin tubería a la vista.

## Tubería de ventilación

El inodoro está diseñado para tubos de 50 mm (diámetro exterior). Para un funcionamiento óptimo, se recomienda el kit de instalación propio de Separett con tubos y codos con las medidas correctas.

Separett Tiny se puede instalar con hasta 5 metros de tubos de ventilación y 2 codos de 90 grados. La salida de la ventilación puede tener lugar a través de una pared, piso o techo; por ejemplo, hacia arriba con viento frío o hacia afuera a través de un lado adecuado de la casa. Si hay tubería de ventilación de la instalación de un inodoro anterior, el inodoro nuevo se puede conectar a ese conducto siempre que su diámetro no sea inferior a 50 mm y cumpla con los requisitos para tuberías. Si necesita una tubería más larga que exceda las recomendaciones anteriores, puede instalar un ventilador adicional (art. núm.: 13008)

El inodoro incluye un acoplamiento para conectar el tubo incluido de 50 mm de diámetro por 40 cm de largo a un tubo de 1,5 pulgadas (schedule 40). Para más información al respecto, lea la sección X.

### X. Conexión del inodoro a tubos de 1,5 pulgadas

*Asegúrese de que la tubería sea lo más corta y simple posible, ya que el diámetro interior de estos tubos es menor al de los tubos del kit de ventilación de Separett, por lo que hay restricciones en el flujo del aire. Para tales instalaciones, se recomiendan como máximo 4 metros de tubería y 2 codos de 90 grados.*

El inodoro está diseñado para la conexión directa de tubos de 50 mm. Con el inodoro se incluye además una conexión para conectar tubería de 1,5 pulgadas (schedule 40) al inodoro. El tubo de 50 mm suministrado se utiliza para conectarlo al inodoro o al codo de 90 grados también suministrado. El tubo de 50 mm se debe cortar apropiadamente a una longitud adecuada. Utilice el acoplamiento para extender la instalación con tubería de 1,5 pulgadas (schedule 40).

Los tubos de 1,5 pulgadas (schedule 40) tienen un diámetro interior más pequeño. En caso de utilizar estos tubos se debe procurar instalar una tubería lo más corta y simple posible, para obtener un buen funcionamiento. La longitud total de las tuberías debe ser inferior a 4 metros y se recomienda usar como máximo dos codos de 90 grados.

## Instalación sin tubería a la vista

El codo de 90 grados incluido se utiliza para instalar los tubos en dirección hacia atrás o hacia un lado. El codo se coloca como se muestra en la imagen a continuación y se gira en dirección hacia atrás. En caso de que se presenten dificultades para colocar el codo en su lugar, pueden utilizarse sustancias tales como vaselina para facilitar su instalación.



Posteriormente, se debe conectar el tubo de ventilación suministrado al codo de 90 grados. El tubo mide 40 cm de largo, lo que por lo regular es suficiente para atravesar la pared exterior. Si necesita tubos adicionales para conducir el aire al exterior de la casa, le recomendamos el kit de ventilación de Separett (art. núm. 1344) para Tiny, que incluye 4 metros de tubería y codos para garantizar una instalación adicional sencilla, pudiendo utilizarse también para extender la tubería a lo largo del exterior de la casa. Tenga en cuenta que se recomienda una instalación lo más corta posible para garantizar un buen funcionamiento durante todo el año.



Si la instalación debe atravesar el piso, el tubo se conecta directamente al inodoro como se muestra en la imagen a continuación.

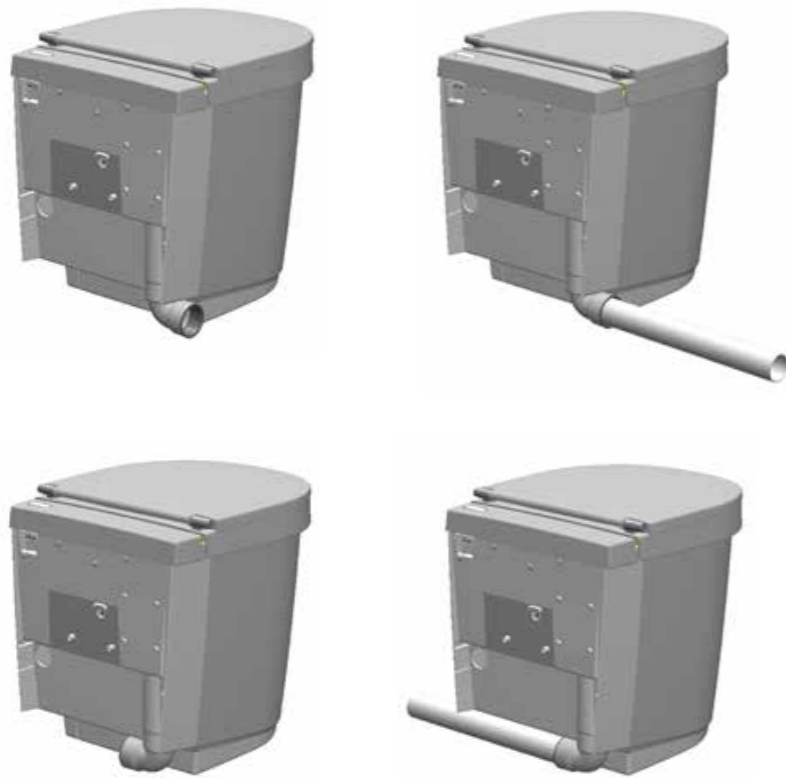
La siguiente imagen muestra cómo puede verse una conexión a Tiny.



## Instalación alternativa: tubería a la vista

En caso de que no sea posible montar una instalación con tubos ocultos, el conducto de ventilación se puede dirigir hacia la derecha o hacia la izquierda, girando el codo de 90 grados según lo muestran las imágenes a continuación. Posteriormente, la tubería debe instalarse de acuerdo con las recomendaciones para el tendido de los tubos de ventilación.

Si necesita tubos adicionales para conducir el aire al exterior de la casa, le recomendamos el kit de ventilación de Separett para Tiny, que incluye 4 metros de tubería y codos para garantizar una instalación adicional sencilla, pudiendo utilizarse también para extender la tubería a lo largo del exterior de la casa. Tenga en cuenta que se recomienda una instalación lo más corta posible para garantizar un buen funcionamiento durante todo el año.



## Colocar la cañería para orina

El inodoro incluye una manguera para desagüe de orina de 2 metros de largo. Para conectarla al inodoro, use el tubo conector recto o el tubo conector de 90 grados incluidos. De manera similar a la instalación de los tubos de ventilación, es posible conectar la cañería para orina de modo que ningún conducto esté a la vista en el sitio donde está instalado el inodoro. Esto se puede hacer colocando la conexión de 90 grados hacia abajo o la conexión recta hacia atrás como se muestra en las imágenes más adelante.

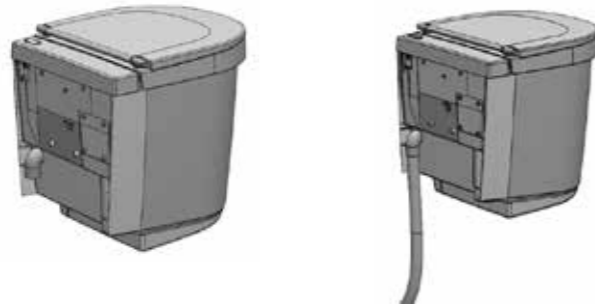
### Recomendaciones para la instalación de la cañería para orina

Al igual que con la tubería de ventilación, Tiny permite la opción de tender la cañería para orina sin conductos a la vista en el sitio del inodoro. A continuación le presentamos diversos consejos que le recomendamos seguir para un buen funcionamiento de la cañería para orina, a lo largo del tiempo y durante todo el año.

- Si va a atravesar una pared con aislamiento o una pared doble con cámara de aire en medio, debe utilizar tubos en el orificio que atraviesa la pared, o pasar la manguera a través de un tubo, puesto que los tubos se utilizan para reducir el riesgo de que plagas causen daños a las cañerías.
- Si va a conducir la orina por una distancia mayor de los 2 metros que se extiende la manguera suministrada, después de 2 metros debe continuar extendiendo la instalación con tubos. Puesto que la orina contiene sales que se pueden acumular en la paredes de tuberías/mangueras, recomendamos que cuando la instalación sea de más de 2 metros, la tubería adicional tenga un diámetro de al menos 40 mm para evitar que se formen obstrucciones.
- Asegúrese de tener siempre un desnivel en descenso de al menos 2 grados a lo largo de toda la tubería, y de que no se formen bolsas de aire al doblar la manguera.
- Si el inodoro se va a utilizar en invierno, los tubos instalados al aire libre deben tener un diámetro mínimo de 40 mm.
- Si el inodoro se va a usar en invierno, recomendamos que las secciones de la tubería que están al aire libre se protejan con material aislante. El aislante se puede comprar en la mayoría de las tiendas de bricolaje.
- Una regla importante para instalaciones más extensas (de más de 2 metros) es que mientras más cerca de la manguera cambie a tubos con un diámetro más ancho, menor será el riesgo de obstrucciones en la tubería.
- No coloque conexiones de tubería cerca de aparatos eléctricos o enchufes de pared para evitar que líquidos entren en contacto con la corriente eléctrica en caso de una fuga.

## Instalación sin cañerías para orina a la vista

Para un montaje sin tubería a la vista, use el codo de 90 grados para conducir la orina hacia abajo o el tubo conector recto para conducirla hacia atrás, como se muestra en las imágenes a continuación. Utilice el croquis de medidas de instalación incluido para ubicar los orificios en la pared o el piso en la posición correcta.



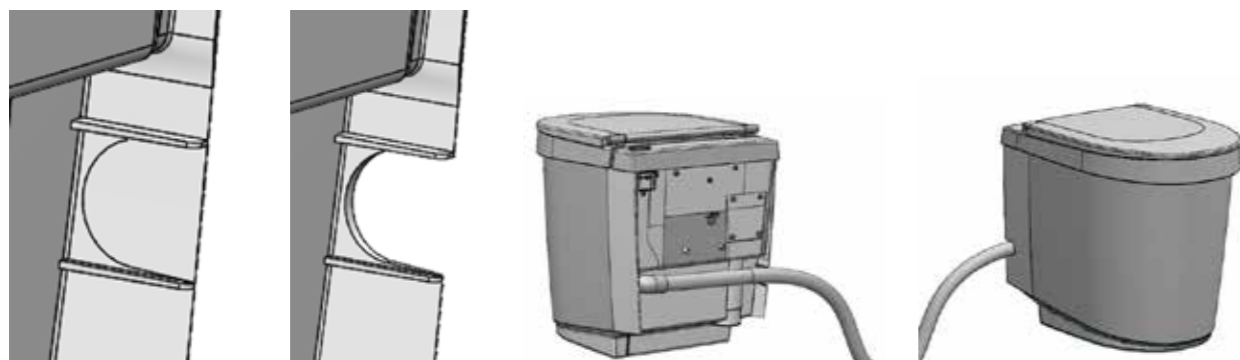
## Instalación con cañerías para orina a la vista

En caso de que la instalación sin cañerías a la vista sea imposible, se debe utilizar el codo de 90 grados para orientar la cañería para orina hacia un lado (derecha o izquierda), de acuerdo con las imágenes a continuación.



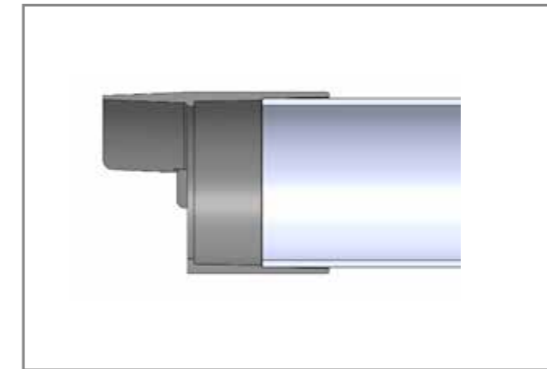
Si la cañería para orina se va a orientar hacia un lado y el inodoro se va a instalar contra la pared, la manguera para desagüe de orina debe pasar a través de uno de los costados del inodoro, por lo que se requerirá hacer un orificio en el plástico. Para obtener mejores resultados, use el mismo taladro que emplea al hacer orificios en la pared. En cada costado del inodoro encontrará una guía que le mostrará dónde se debe hacer el orificio; para más referencia puede ver las imágenes que se encuentran más adelante. Si es difícil acceder desde el interior con el taladro, use una barrena pequeña para hacer un orificio pequeño en el centro y luego taladre desde el exterior. Use un cuchillo o papel de lija para alisar el borde.

Si el tendido de la cañería para orina debe extenderse en la habitación, use el soporte de pared incluido para la manguera para desagüe de orina. Asegúrese de que toda la cañería se coloque en declive, y de haber leído todas las recomendaciones para el tendido de la cañería para orina.

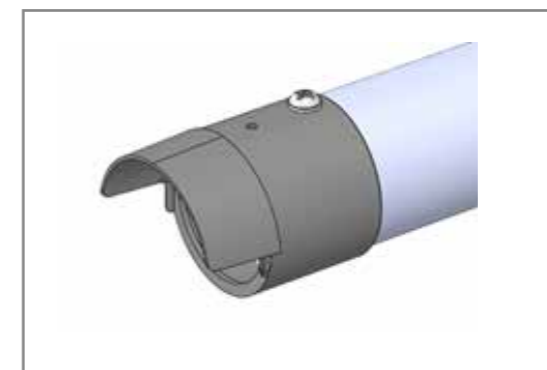
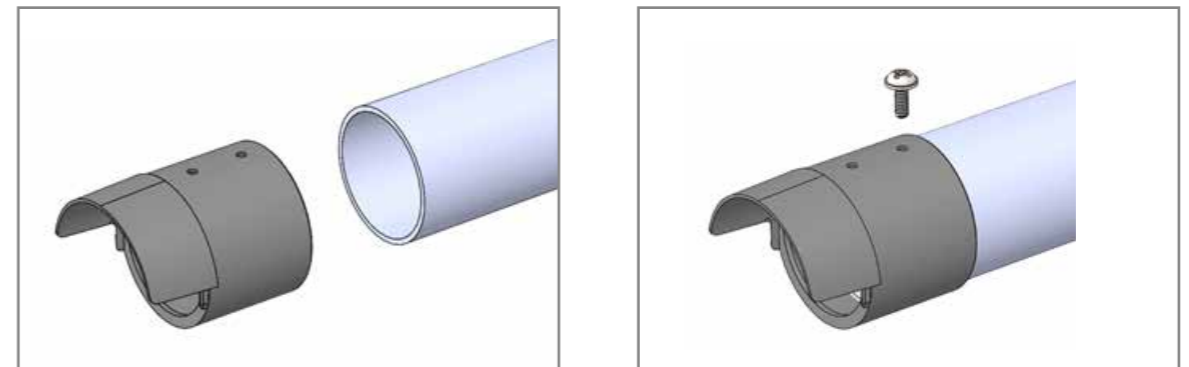


## Instalación de la rejilla de ventilación o el sombrerete de ventilación

Es importante asegurarse de que la salida del tubo de ventilación esté protegida de la lluvia y la nieve, así como evitar que los insectos entren al inodoro. Para tales fines, el inodoro incluye una rejilla de ventilación con mosquitero integrado. Esta rejilla de ventilación se utiliza cuando la salida del tubo se coloca horizontalmente y debe montarse con el mosquitero hacia arriba, para protección contra la lluvia y la nieve. La rejilla de ventilación es idónea para tubos de 50 mm y 1,5 pulgadas. Los tubos de 50 mm entran la mitad de la distancia y los tubos de 1,5 pulgadas entran hasta el fondo. Vea la imagen a continuación.



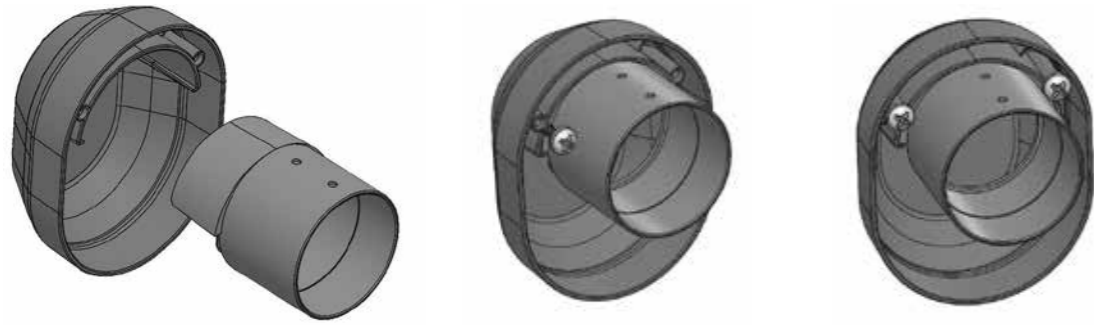
La rejilla de ventilación se puede fijar en el tubo atornillando con firmeza el tubo conforme a las guías en la pieza.



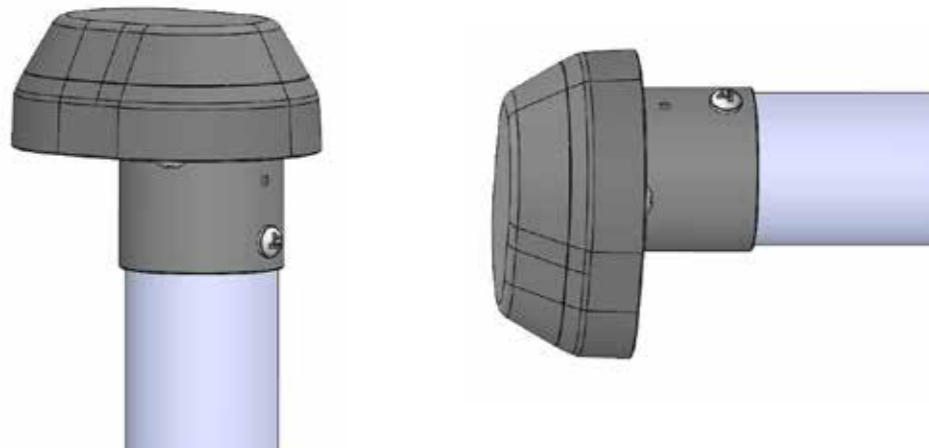
Cuando la salida del tubo esté colocada verticalmente, se debe utilizar el sombrerete de ventilación incluido junto con la rejilla de ventilación, para asegurarse de que la lluvia y la nieve no entren en el tubo.

La rejilla de ventilación y el sombrerete se montan juntos con los dos tornillos incluidos, según se muestra en la imagen a continuación.



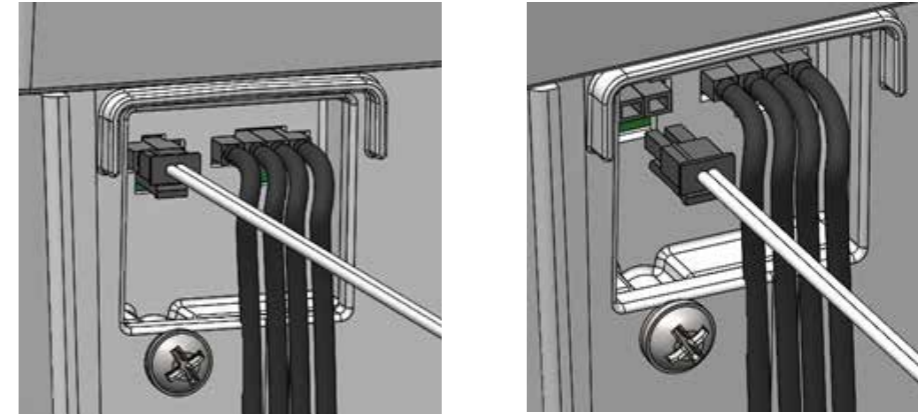


Las piezas ensambladas se montan luego como extremos de tubería de la misma manera que se muestra en las secciones anteriores. También es posible utilizar la cubierta de lluvia en un extremo de tubería horizontal en condiciones más exigentes para brindar una mejor protección contra el clima y el viento.



## Conectar el inodoro a la corriente eléctrica

Si el inodoro se va a montar contra una pared, el cable de alimentación se debe conectar al inodoro antes de fijar este, ya que, una vez montado contra la pared, la conexión es inaccesible.

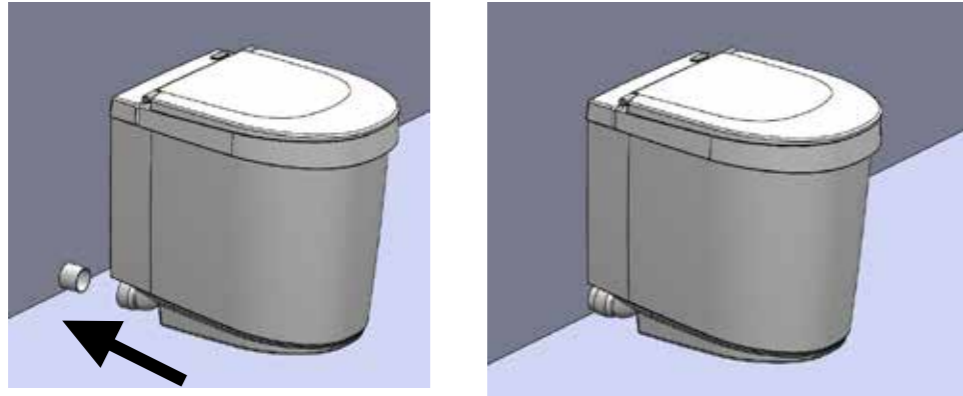


El inodoro debe estar conectado a una fuente de alimentación. El inodoro incluye un eliminador de baterías para 110-240 V y un cable de batería de 12 V. Independientemente de la elección de la fuente de alimentación, el cable se debe conectar en el lado posterior del inodoro, en la entrada señalada en la imagen anterior. Asegúrese de que el enchufe se conecte correctamente.

*Verifique que el inodoro esté conectado a la corriente, revisando si se percibe que hay una exhalación de aire a través de la salida de ventilación.*



## Conecte el inodoro a la tubería de ventilación y la cañería para orina



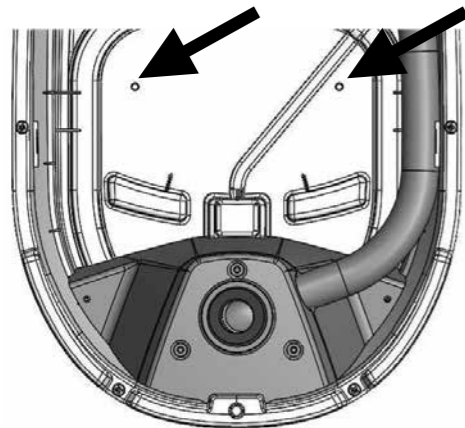
## Fijación del inodoro

**¡IMPORTANTE!** Conecte el cable de alimentación al inodoro antes de fijarlo, ya que, después de la fijación, no tendrá acceso a la parte posterior del inodoro donde se debe conectar el cable.

Tiny está diseñado para poder atornillar el inodoro con firmeza al suelo o la pared. Para una mejor estabilidad, se pueden combinar ambas opciones.

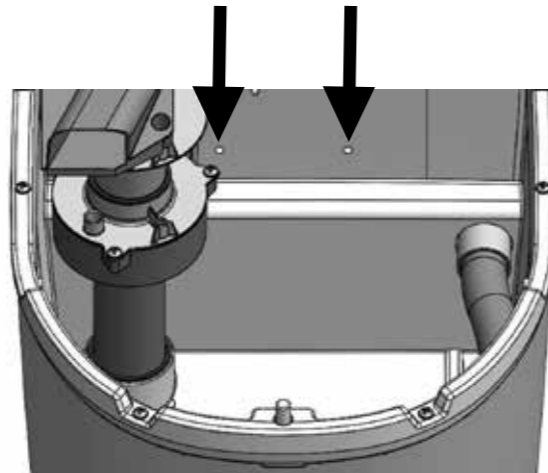
### Suelo

Para fijar el inodoro al suelo, utilice el tornillo suministrado u otro tornillo adecuado para este fin. Hay dos orificios para tornillos en la parte inferior del inodoro, el plástico en el medio del orificio se retira con una herramienta adecuada.



### Pared

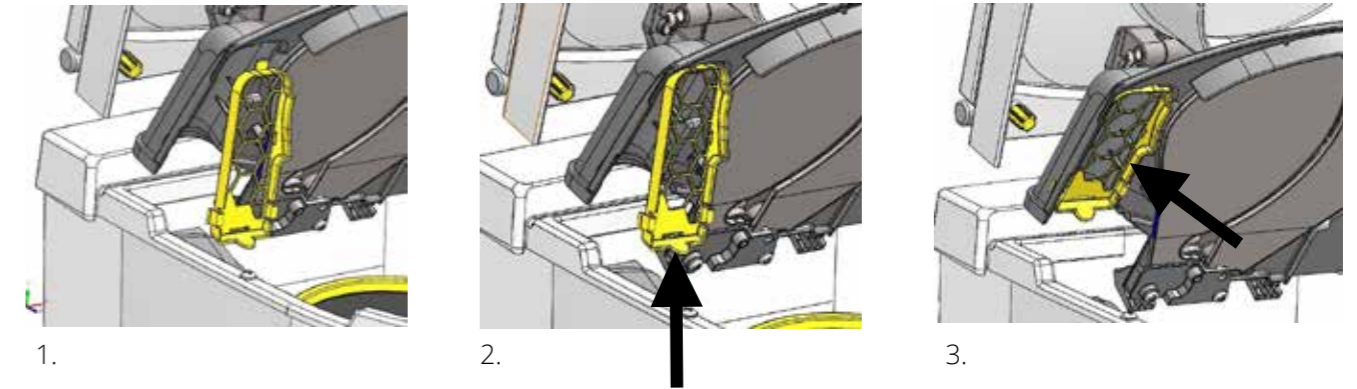
Utilice la arandela de tornillo incluida y atornille en los orificios que se indican, para fijar el inodoro a la pared.



## Instalar fijamente el filtro de ventilador

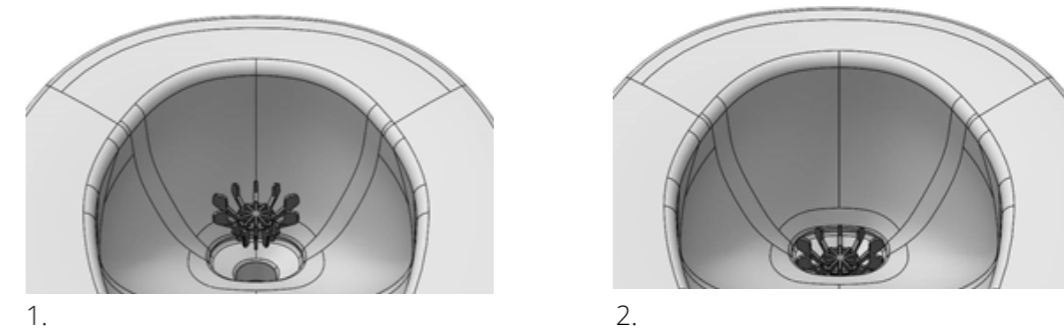
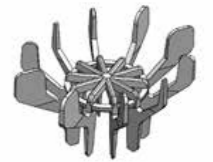
Para garantizar un baño sin olores y que los desechos se sequen, el inodoro debe estar constantemente ventilado. Para proteger el ventilador de la suciedad y el polvo derivados del uso, hay un filtro ubicado en el conducto de aire. Este filtro no está instalado al momento de la entrega, sino que se debe instalar en su sitio según se muestra en la imagen a continuación. Para un buen funcionamiento, el filtro debe limpiarse con regularidad.

Para instalar el filtro amarillo de ventilador en el inodoro, siga los pasos como se ilustra a continuación:



## Colocar la cesta para el purificador de aguas residuales

Coloque la cesta para el purificador de aguas residuales suministrada en el conducto de la orina. La red asegura que no entren objetos grandes en la cañería para orina.



***Separett***<sup>®</sup>  
*Waterless toilets*

[www.separett.com](http://www.separett.com)