



MADE IN  
VÄRNAMO  
SWEDEN

# Tiny®

by Separett®



Tiny with urine tube art.no. 1271-01

User manual | Användarmanual | Käyttöopas | Brukerhåndbok  
Bedienungsanleitung | Mode d'emploi | Manual de usuario



## Dear customer,

Thank you for choosing a product from Separett and congratulations on your new toilet!

At Separett, we have been developing toilet solutions that are not limited by the availability of either water or sewage systems for over 40 years, with the vision of contributing to a higher quality of life for the many.

Today, our toilet solutions make the lives of hundreds of thousands of people easier, all over the world. It is very important to us that the toilet solution you have chosen is of a high quality, has a high degree of reliability, and requires minimal maintenance.

We hope that you enjoy your new product, while at the same time saving our planet loads of water.

*Welcome to the Separett family*

***Separett***<sup>®</sup>  
*Waterless toilets*

# Warranty

This product has a 5-year warranty for manufacturing and/or material defects.

However, this warranty does not apply to normal wear and tear, incorrect use or maintenance, or if the customer has damaged or altered the product in some way. If you have any questions regarding spare parts or warranty, please contact your nearest Separett dealer, which you can find at [www.separett.com](http://www.separett.com).

## Keep your receipt



*You will find the current warranty terms at [www.separett.com](http://www.separett.com)*

# Content

Warranty	4
Important safety instructions	6
Technical data	8
Use	10
Waste handling	13
Troubleshooting	14
Accessories	15
Contact Us	16



# Important safety instructions

---

## **IMPORTANT SAFETY INSTRUCTIONS**

READ THE INSTRUCTIONS CAREFULLY BEFORE USE. THE MANUFACTURER IS NOT RESPONSIBLE FOR ANY PERSONAL INJURY OR OTHER DAMAGES ARISING AS A RESULT OF FAULTY INSTALLATION OR IMPROPER USE. SPARE THE USER MANUAL FOR FUTURE NEEDS!

---

## **Safety**

This product can be used by children and people with impaired physical, sensory or mental capacity, as well as people with a lack of experience and knowledge of the product, provided that they are monitored or instructed on how to use the product safely and understand the risks that are associated with improper use.

- Toilet packaging and packing materials are not toys. Keep packing material out of reach for children and dispose of it properly.

**WARNING! Do not use the toilet if it is damaged or not working properly.**

**Ensure the functioning of the toilet by regularly checking the following:**

1. That the urine tube is not damaged
2. That the gaskets are functioning
3. That there is no damage to any load-bearing parts
4. That there is no damage to the cabling

## **Avoid fire risk & burns**

The toilet must only be used in accordance with the user manual. Materials not associated with normal toilet use should not be thrown in the toilet. Ensure that all new users of the toilet receive required information on how to use the toilet safely. The toilet is not adapted for standing or climbing on. Young children or children who cannot safely use the toilet in accordance with this manual should only use the toilet under adult supervision. Do not allow children to play with this product.

## **Maintenance**

Regular maintenance is important to ensure that the toilet functions properly. Check the following during maintenance:

1. That toilet gaskets are intact
2. That the urine tube is not clogged

## **Avoid electric shocks**

1. Never use a damaged power cord or plug, and never run the cord over hot surfaces or hard sharp edges.
2. If the power cord is damaged, it must be replaced by the manufacturer, its service agent or by a professional to avoid danger.

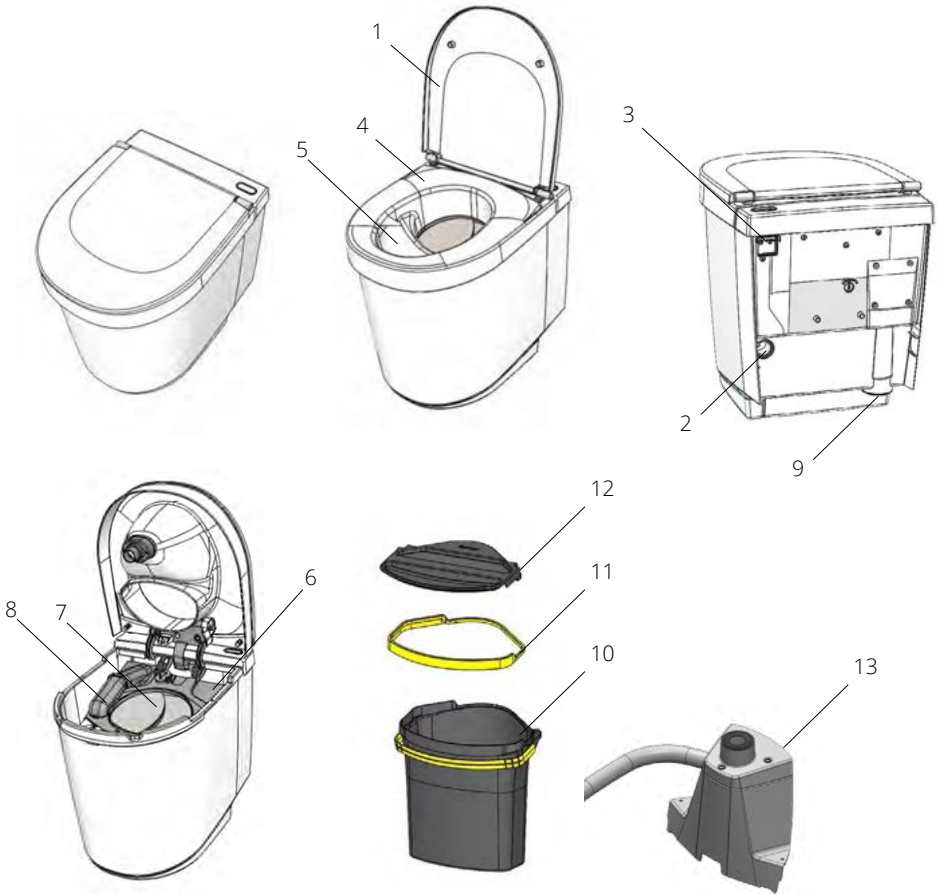
## **Other**

- This product is intended for household use only or for a limited number of people with good knowledge of its proper use. We advise against placing urine-diverting toilets in public restrooms.
- Do not make any changes to the product that will change its specifications.

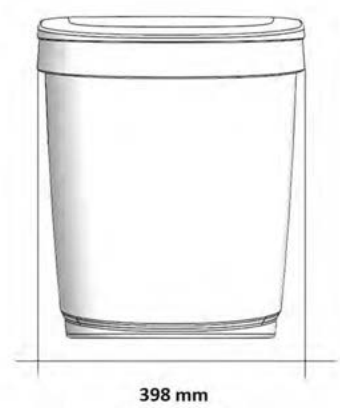
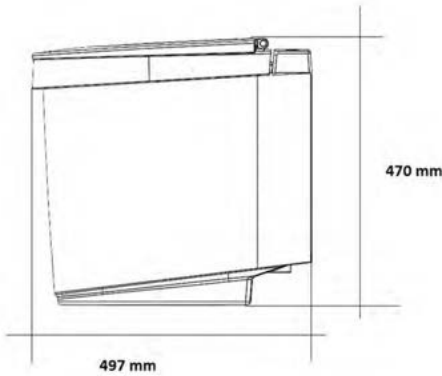
# Technical data

## Toilet parts

- 1. Lid
- 2. Urine outlet
- 3. Power connection
- 4. Seat
- 5. Urine bowl
- 6. Inner lid
- 7. Screen
- 8. Fan duct
- 9. Ventilation outlet
- 10. Solid waste container
- 11. Clip-on strip for bag
- 12. Lid for solid waste container
- 13. Urine tube



# Measurements



Height: 470 mm (18.5")  
Length: 497 mm (19.6")  
Width: 398 mm (15.7")  
Seat height: 440–452 mm (17.3–17.8")

## Material

Outer material: High-gloss polypropylene  
Inner material: Polyamide and polypropylene  
Gaskets: Thermoplastic (TPE)  
All materials are recyclable

## Weight

8.5 kg (18.7 lbs)

## Volume

Solid waste container: 14,5 L

## Pipe dimensions

Ventilation pipe: Ø 50 mm (outer diameter)  
Urine hose: Ø 32 mm (outer diameter)

## Electronics

12 V, 1.6 W

## Electrical connection

Grid connection: AC adapter 110/240 V–12 V (1.55 m / 5.1 ft)  
Low-voltage connection: 12 V battery cable (1.9 m/6.25 ft) with crocodile clips

## Power consumption

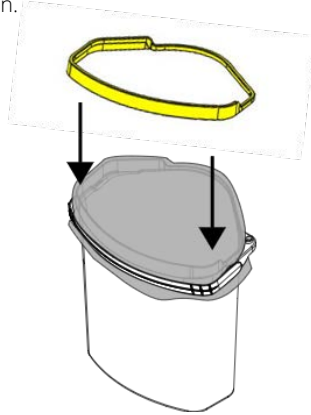
0.04 kwh/day, 14 kwh/year



# Use

## Before use

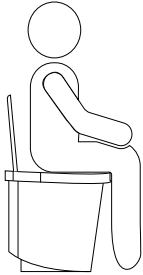
1. Ensure the function of the toilet (see section "Important Safety Instructions")
2. Connect the toilet to a power source (see section "Power supply for toilet")
3. Make sure that the fan is running
4. Place a compostable waste bag for Tiny in the waste container. The bag must always be held in place by the yellow clip-on strip to ensure that the bag is firmly attached and does not risk getting caught in the view screen.



5. Place an Absorb pad at the bottom of the waste bag to soak up excess moisture
6. Place a Bio Drain Cleaner in the basket in the urine bowl for a fresh scent and to keep the urine drain free from sediments

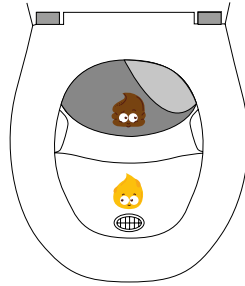
# Using the toilet

1.



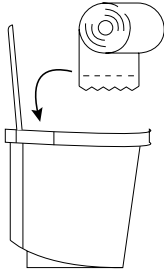
**Always** sit down when using the toilet  
*Sit a little further back than usual so that urine  
and solid waste are separated.*

2.



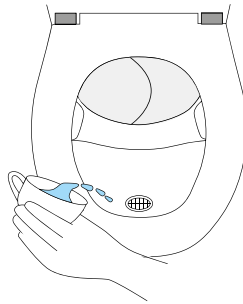
The view screens will slide away  
when you sit down.

3.



Toilet paper can be thrown in the  
same bin as the solid waste.

4.



The urine bowl can be rinsed with a  
cup of water after use.



**IMPORTANT!** Never throw burning or smoldering objects in the toilet!

*User instructions can be downloaded at [www.seprett.com](http://www.seprett.com).*

## **Cleaning & Maintenance**

Separett Tiny should be cleaned with an environmentally friendly non-abrasive cleaner. This toilet is made of a strong, high-gloss polypropylene material that risks being scratched if an abrasive cleaner or scrubbing plate is used.

The fan must run continuously to avoid odors in the bathroom. Regularly rinse the filter in the fan duct with water to maintain good ventilation.

# Waste handling

**IMPORTANT!** Always consult your local environmental office to find out what rules apply for waste management in your municipality. Always follow local regulations.

## Urine hose

The urine hose is connected to either the existing greywater drain, external infiltration, an external container (such as the Separett Ejector tank accessory) or other approved solution.

## Emptying of solid waste

The solid waste is collected in the waste container which is fitted with a compostable waste bag. For full-time use in a household of 2 people, the solid waste should be emptied approximately after 2 weeks of use. Open the upper part of the toilet to empty the solid waste. Make sure that the top is locked in its opened position before releasing it. Then follow the steps below:

1. Place the included lid on the container.
2. Lift the container by its yellow handle and pull it up out of the toilet.
3. Carry the container to where the waste will be handled.

The solid waste can then be handled in one of the following ways:

**Option 1:** To be composted directly in an approved compost

**Option 2:** To be incinerated directly in an approved incinerator

**Option 3:** Place it in a container and have it standing in "hibernation" for at least 12 months by following the steps below:

A) Place in an appropriate location outdoors in a suitable container with a solid bottom.

B) Fill the container with a layer of soil (approx. 2 cm (0,8")), make sure that the container is properly ventilated so that air circulates in the container.

C) Let sit for 12 months. The bacteria in the soil will break down the harmful organisms in the feces, rendering the waste harmless.

D) After the storage period, the contents can be composted in an ordinary compost, garden compost or buried along with the compostable bio bag.

# Troubleshooting

## If it smells

A urine-diverting toilet from Separett should, thanks to the well-developed urine diverting and its constant air flow, ensure that the bathroom remains odorless. In the case of odors occurring, please check the following:

- Is the fan running properly? If the fan is not running properly, make sure that:
  1. Power is being supplied by the power source.
  2. The fan plug is properly connected.
  3. The cables on the back are properly connected.
- Is the ventilation grid on the pipe cap clean?
- Is the insect net of the ventilation outlet clean?
- Has the piping been carried out in accordance with the instructions?

## Problems with pests in the toilet

Assuming a correct installation and correct use of Separett Tiny, the toilet space should be odor free. This means that the toilet does not need to have any additional material (such as sawdust) added to the waste container\*. If you still have problems with pests in the toilet, please check the following:

- Make sure that the insect net is intact and firmly attached to the ventilation
- Check that the ventilation pipe is intact and that its joints are tight and sealed

*\*Loose additional material also contributes to blockages in filters and can shorten the lifetime of the fan*

# Accessories

## Supplement with

### Urine-diverting child seat

The urine-diverting child seat is a perfect complement to your urine-diverting toilet solution, enabling even the smallest ones to use the toilet.



1101

### Ventilation kit

A supplementary ventilation kit that can be used if the installation requires ventilation ducts to be laid higher up and/or further away from the toilet.



1344

### Urine container

With this set a Tiny with urine tube can be converted into Tiny with internal urine collection.



1342

### Ejector tank

With Separett Ejector Tank connected to Tiny, you can create organic fertilizer for your garden. The ejector tank automatically dilutes the urine to the correct ratio – eight parts water and one part urine – so that plants can absorb the nutrients without being harmed.



1013

---

## Consumables

### Bio Drain Cleaner 5-pack

Separett Bio Drain Cleaner is a biological tablet that is placed in the basket in the urine bowl of the toilet. The tablet is slowly broken down and the enzymes keep the urine drain free from sediments, which over time risk constricting the flow of the urine. With 2 users, one tablet lasts for 1–2 months. Tablets can be purchased separately in packs of 5.



1118

### Compostable Waste Bags, Tiny 10 pcs/20 pcs

The bio bag is specially designed to fit the Separett Tiny waste container. The bag helps to keep the waste container clean and is made of corn starch, which is an environmentally friendly compostable material. For containers up to 14.5 liters.



1337/1338

### Absorb Tiny 10-pcs

The Absorb pad is placed in the bottom of the waste bag and is used to soak up any moisture coming from the waste. The cloth helps keep the contents dry and thereby odorless. This product is specially adapted for the Tiny toilet and made from compostable material.



1346

See all articles at [www.separett.com](http://www.separett.com)

# Contact Us

## Documentation

This user manual as well as instructional videos are available at any time on our website.

## Contact us

If you need help with your toilet, you can find information at any time on our website, where you can also easily submit error notifications. Can't find what you are looking for? Visit "FAQs" on our website to find the answers to the most asked questions. If you do not find an answer to your question, please feel free to contact us:

### Global

Website: [www.separett.com](http://www.separett.com)  
Email: [info@separett.com](mailto:info@separett.com)  
Phone: +46 (0)370-307200

### USA

Website: [www.separett.us](http://www.separett.us)  
Email: [contact.us@separett.com](mailto:contact.us@separett.com)  
Phone: +1(800) 975-6740



***Separett***<sup>®</sup>  
*Waterless toilets*

[www.separett.com](http://www.separett.com)