

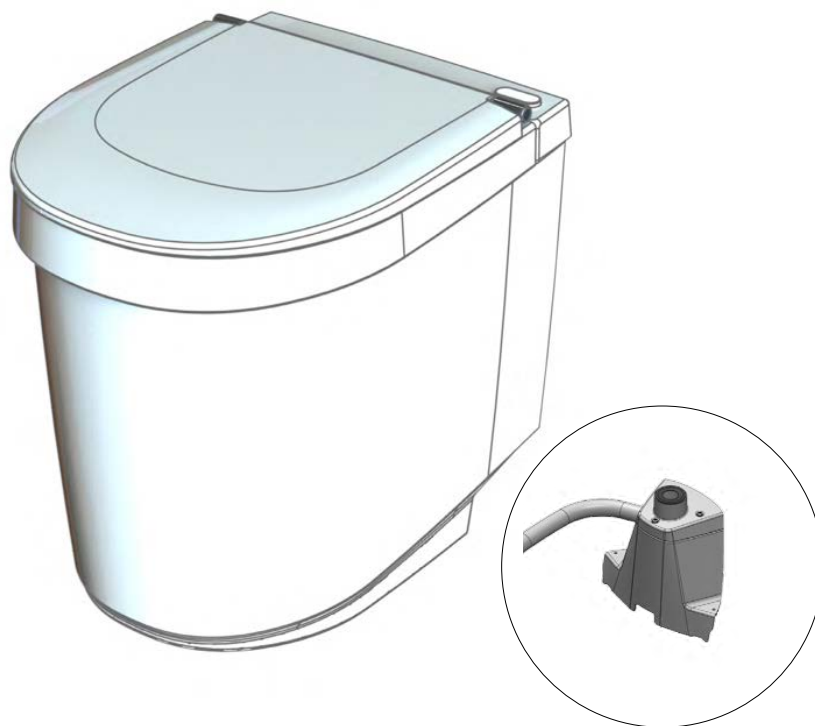
# Tiny<sup>®</sup>

by Separett<sup>®</sup>

---

Installation manual  
Installationsmanual  
Asennusopas  
Installasjonsmanual

Installationsanleitung  
Installation manuel  
Manual de instalación



*Tiny with urine tube art.no. 1271-01*



## WARNING!

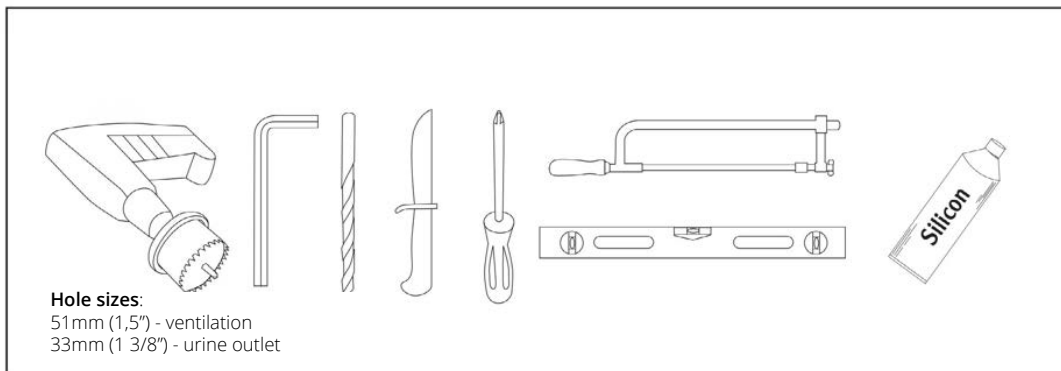
Before making holes in walls or floors. Ensure that the location for wall penetration allows for a hole to be made and that the piping meets construction regulations. Keep in mind that the wall may conceal, for example: electrical wiring, piping, waterproofing, load-bearing construction.

**IMPORTANT!** Always consult your local environmental office to find out what rules apply in your municipality. Always follow local regulations. Please view our installation video at [www.separett.com](http://www.separett.com)
















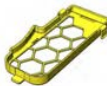




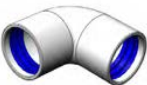
To make sure the toilet stays odor free, the fan in the toilet should always be running for it to ventilate and receive fresh air to ventilate out. To achieve this, the following is required:

1. No other fan/ventilation system may affect the same room.
2. Ensure that fresh air from the outside enters the room. The air entry point should be as close to the toilet as possible.

## Useful tools



# Included with the product

1 x 90-degree connection		1 x Pipe cap with insect net 50 mm/1.5"	
1 x Ventilation pipe 40 cm (15.75")		1 x Ventilation cowl 50 mm/1.5"	
1 x Sample drain cleaner		2 x Screw for ventilation cowl	
10 x Compostable wastebags Tiny		1 x Tube of silicone	
1 x Sample Absorb pad Tiny		1 x Installation template	
1 x Urine bowl extension		1 x Power adapter	
3 x Mounting screws for wall or floor mountings		1 x 12 V battery cable	
1 x Lid for solid waste container		1 x Fan filter	
1 x Adaptor ventilation pipe 50 mm to 1.5" (schedule 40)		1 x Urine hose	
1 x Basket for bioblock		1 x Straight joint 32 mm pipe	
		1 x 90-degree joint 32 mm pipe	

# Installation steps

*Please read more under each heading*

1. Toilet placement
2. Make holes according to the installation template
3. Install ventilation pipe
4. Install urine hose
5. Install ventilation pipe cap or ventilation cowl
6. Power supply for toilet
7. Connect the toilet to the ventilation pipe and urine tube
8. Fix the toilet to the wall and/or floor
9. Install fixed fan filter
10. Place basket in the urine drain

## Toilet placement

Separett Tiny has no requirements for room temperature and works in both cold and warm spaces. The only requirements are that you must be able to lead the urine away and fit a ventilation pipe.

The toilet is made to be placed on the floor against the wall, and for extra stability it should be attached either to the floor, wall or both.

## Make holes according to installation template

The enclosed installation template shows possible installation options for urine drains and ventilation pipes through the wall behind the toilet or through the floor. These options enable an installation without visible pipes.

## Install ventilation pipe

The toilet is designed for 50 mm pipes (outer diameter). For optimal function it is recommended that you use Separett's own installation kit that has pipes and angles in the correct dimensions.

Separett Tiny can be installed with up to 5 meters of ventilation piping and 2 90-degree bends. Ventilated air can go through a wall, floor or roof, for example, up into an attic and out through a suitable side of the house. If there is already a ventilation pipe present from a previous toilet installation, the toilet may be connected to that duct, provided that it is not smaller than 50 mm and that it meets the piping requirements. Should you need longer piping that exceeds the recommendations above, you may install an extra fan (art. no.: 13008)

The toilet comes with a coupling for connecting the included 40 cm-long 50 mm pipe to a 1.5 inch pipe (schedule 40). For more information on this, please read section X.

### **X. When connecting the toilet to 1.5 inch pipes**

*Ensure as short and simple a piping as possible, as the inner diameter of these pipes is smaller than the pipes in the Separett ventilation kit, hence the air-flow restrictions. For these installations, a maximum of 4 meters of pipe and 2 90-degree bend is recommended.*

This toilet is designed for direct connection with 50 mm pipes. A coupling to connect the toilet to a 1.5 inch pipe (schedule 40) is also included. The included 50 mm pipe is to be connected to the toilet or to the supplied 90-degree bend. The 50 mm pipe should be cut to a suitable length. Use a coupling to continue the installation with 1.5 inch pipes (schedule 40).

1.5 inch pipes (schedule 40) have a smaller inner diameter and when using these pipes, as short and simple installation as possible is desirable to ensure high functionality. The total length of the pipes must be less than 4 meters and a maximum of 2 x 90-degree bends is recommended.

## Installation without visible pipes

The included 90-degree bend is used to lay pipes backwards or to the side. The bend is placed as shown below and turned in the rearward direction. The bend can be difficult to get in place. Vaseline or a similar product may be used to facilitate the assembly.



The supplied ventilation pipe is then connected to the 90-degree bend. The pipe is 40 cm (15,7") long, which generally is enough to reach through an outer wall. If additional pipes are needed to direct the air out of the house, the Separett ventilation kit (art. no. 1344) is recommended for Tiny. It includes 4 meters of piping and bends to ensure a simple extended installation. These can also be used to extend the piping onto the facade of the house. Please note that as short an installation as possible is recommended to guarantee full function throughout the year.



If the installation is to go through the floor, the pipe should be connected directly to the toilet, as shown below.



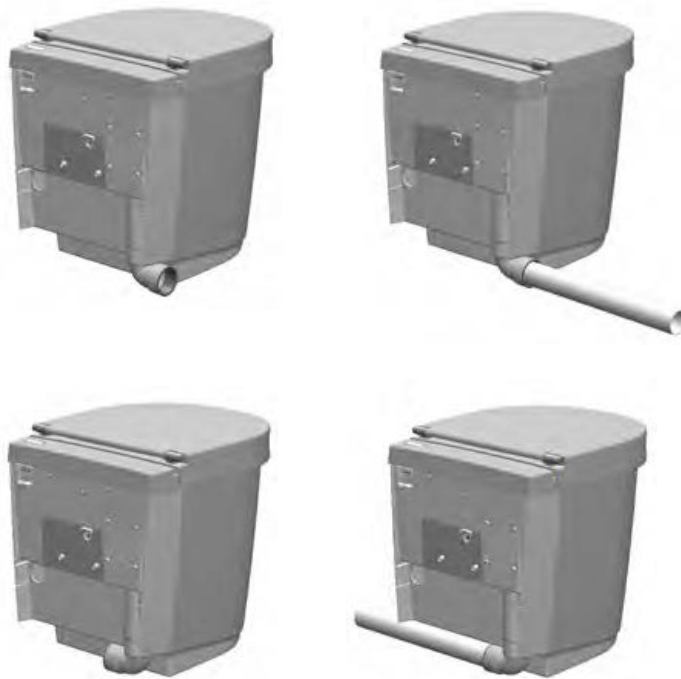
The picture below shows what a connection to Tiny can look like.



## Alternative installation – visible pipes

In cases where installation with hidden pipes is not possible, the ventilation duct is guided to the right or left by turning the 90-degree bend according to the pictures below. The piping must then be carried out in accordance with the recommendations for the installation of ventilation pipes.

If additional pipes are needed to direct the air out of the house, the Separett ventilation kit (art. no. 1344) is recommended for Tiny. It includes 4 meters (13 ft) of piping and bends to ensure a simple extended installation. These can also be used to extend the piping onto the facade of the house. Please note that as short an installation as possible is recommended to guarantee full function throughout the year.



## Install urine hose

The toilet is delivered with a 2-meter (6,6 ft) urine hose. To connect this to the toilet, use the included straight joint or the 90-degree joint. Like the installation of the ventilation pipes, it is possible to connect the urine tube so that no pipe is visible where the toilet is installed. This is achieved by angling the 90-degree connection downwards or using the straight connection, as shown in the pictures below.

### Recommendations for installation of urine hose

As with the ventilation duct, Tiny provides the option of installing the urine hose without any visible pipes/tubes in the bathroom. Below are a few tips that should be followed to maintain a well-functioning urine outlet over time and all year round.

- If you are going to go through an insulated wall or a wall with an air gap between the inner and outer wall, you must use a pipe for the penetration, or lead the hose through a pipe. Pipes are used to reduce the risk of pests causing damage to the tube.
- If you are going to run the urine a longer distance than the 2 meters (6,6 ft) of the supplied hose, you should switch to a pipe after the 2 meters (6,6 ft). Since urine contains minerals that can accumulate in pipes/hoses, we recommend that the subsequent pipe have a diameter of at least 40 mm to avoid blockages.
- Make sure that you always have a downward inclination of at least 2 degrees (2 cm per meter or 0,8 inch per 40 inch) throughout the piping, also make sure that there are no air pockets created by bends in the hose.
- If the toilet is to be used in winter, outdoor pipes must have a diameter of at least 40 mm (1,6").
- If the toilet is to be used in winter, we recommend that you insulate outdoor pipes with pipe insulation. This insulation can be bought in most DIY stores.
- An important rule for longer installations (over 2 meters (6,6ft)) is that the sooner you switch to pipes with a larger diameter, the lower the risk of blockages in the pipes.
- Do not place pipe joints near electrical appliances or wall sockets. This is to prevent liquid from coming into contact with electricity in the event of a leak.



## Installation without visible urine hose

For installation without visible pipes, the 90-degree bend is used to guide the urine downwards or the straight joint to go backwards as shown in the pictures below. Use the enclosed installation template to make holes in the wall or floor in the correct positions.



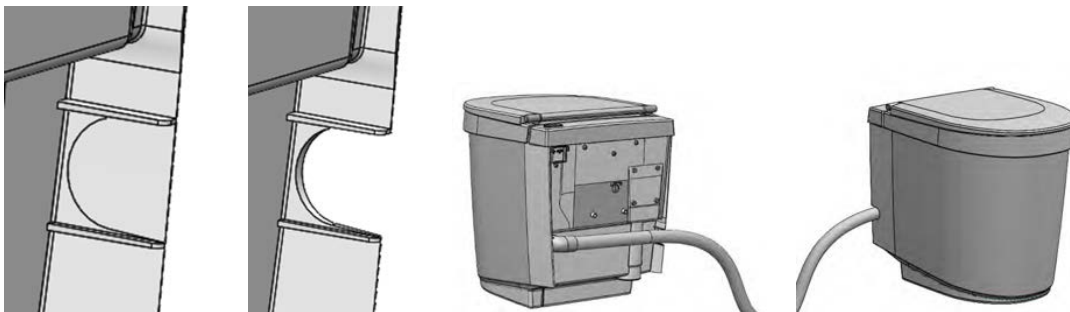
## Installation with visible urine hose

In cases where installation without visible pipes is not possible, a 90 degree bend is used to install the urine hose to the side (right or left) according to the pictures below.



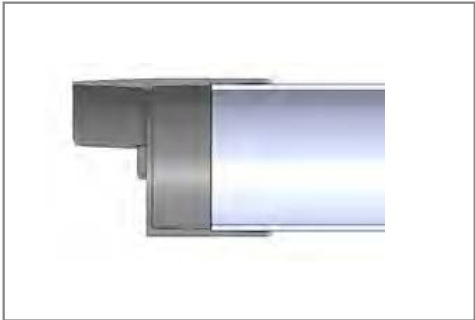
If the urine hose is to be laid sideways and the toilet is to be installed against the wall, the urine hose must be led through the side of the toilet, which requires a hole to be made in the plastic. For optimal results, use the same drill you would use for making holes in the wall. The toilet has marks on either side to show where the hole should be made, see pictures below. If you find it difficult to drill from the inside, use a smaller drill to make a small hole in the center, and then continue to drill from the outside. Use a knife or sandpaper to get a good border.

If the urine hose is to be led further within the room, use the supplied Wall mount for urine hose. Make sure that the urine hose has a downward inclination all the way and that you have read through the recommendations for installing the urine hose.

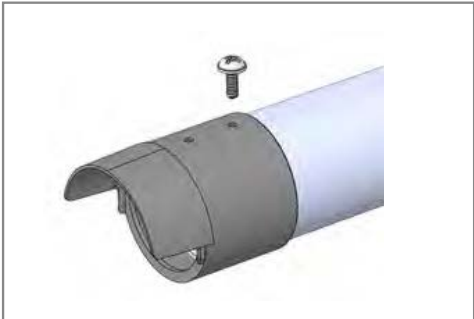
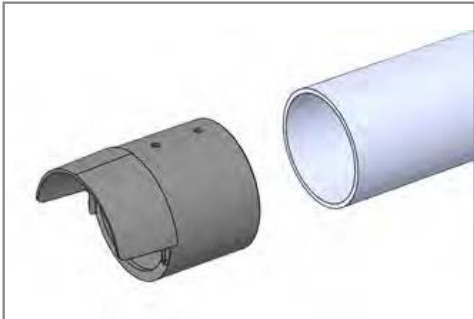


# Installation of pipe cap or ventilation cowl

It is important to ensure that the end of the ventilation pipe is protected from rain and snow, and prevents insects from entering the toilet. To achieve this, the toilet comes with a pipe cap that is equipped with an integrated insect net. This pipe cap should be used when the pipe end is horizontal and must be mounted with the screen upwards to ensure protection from rain and snow. The pipe cap fits both 50 mm and 1.5 inch pipes. 50 mm pipes go half way in and 1.5 inch pipes go all the way in. See picture below.

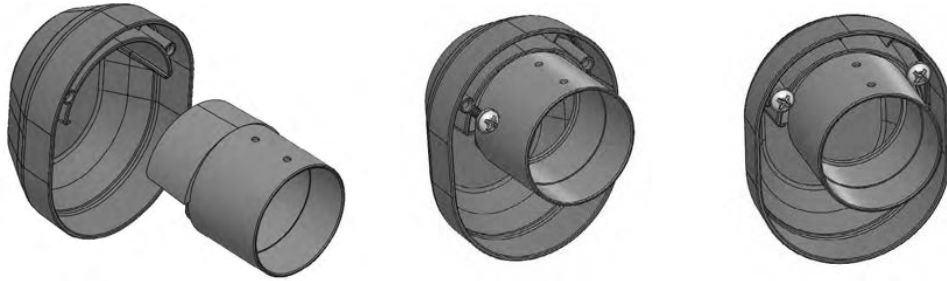


The pipe cap can be fixed to the pipe through the visible screw markings.

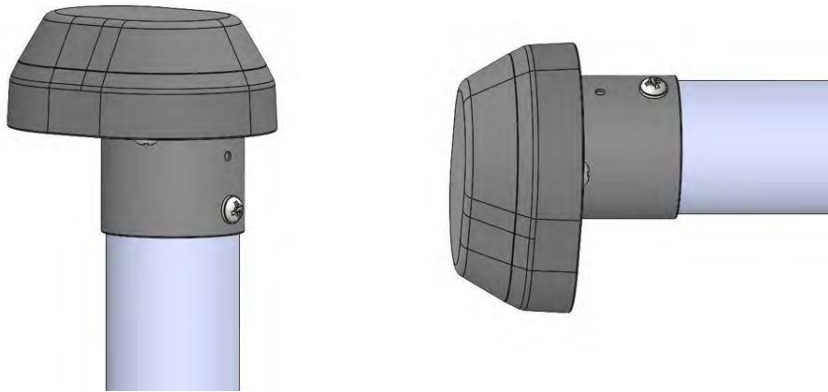


When the pipe end is vertical, the supplied ventilation cowl is to be used together with a pipe cap to ensure that rain and snow do not enter the pipe.

Pipe cap and ventilation cowl are mounted together with the two supplied screws as shown below.

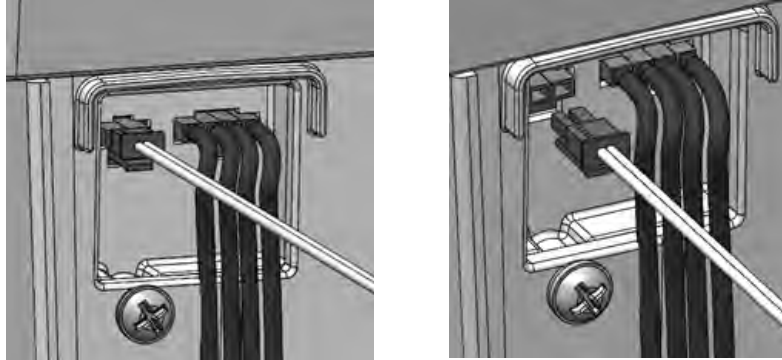


The assembled parts are then mounted as pipe ends in the same way as shown in previous sections. It is also possible to use the ventilation cowl at a horizontal pipe end in more demanding conditions to ensure better protection against weather and wind.



## Power supply for toilet

If the toilet is to be mounted against a wall, a power cord must be connected to the toilet before it is mounted. After wall mounting, the connection is not accessible.

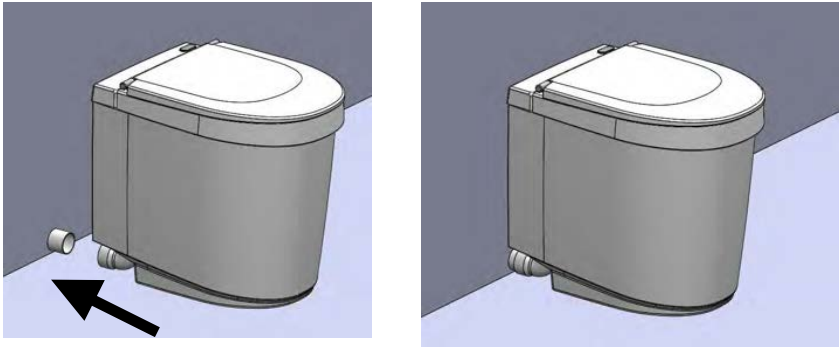


The toilet must be connected to a power source. The toilet comes with a power adapter for 110–240 V and a 12 V battery cable. Regardless of the power source, the chord must be connected to the back of the toilet, at the marked input in the picture above. Make sure that the plug is properly connected.

*Verify that the toilet is receiving power by checking that air is exiting the ventilation outlet.*



# Connect the toilet to the ventilation pipe and urine tube



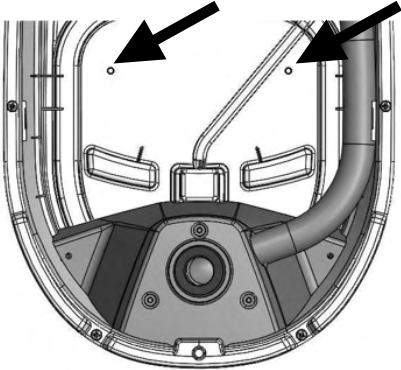
## Toilet mounting

**IMPORTANT!** Connect the power cord to the toilet before mounting it. After mounting, you will not have access to the back of the toilet where the cable is to be connected.

Tiny is designed to be fixed to the floor or to the wall. For maximum stability, both options can be combined.

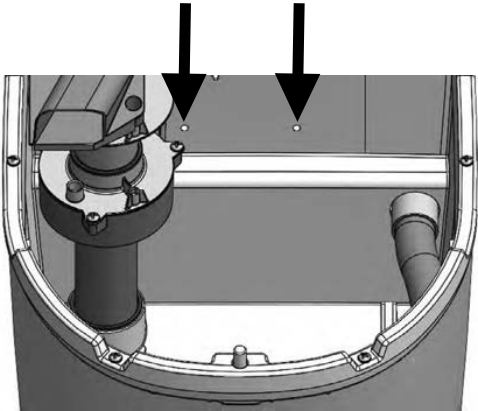
### Floor

To attach the toilet to the floor, use the supplied screw or other screw suitable for the purpose. There are two intended screw holes in the bottom of the toilet, the plastic in the middle of the hole is removed with a suitable tool.



### Wall

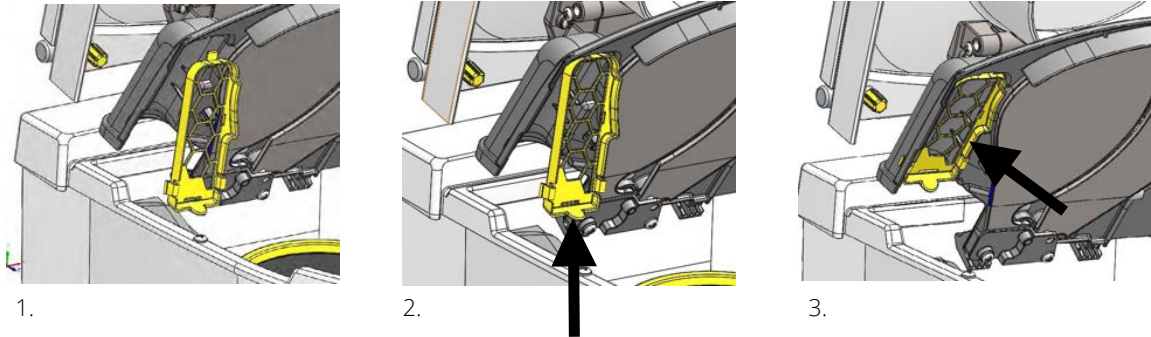
Use the following holes to mount the toilet to the wall.



## Install the fixed fan filter

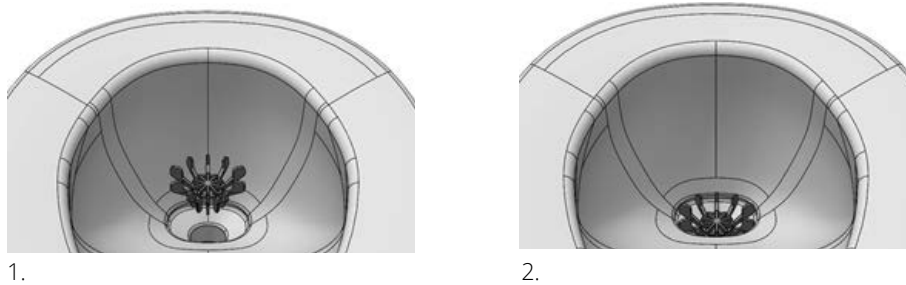
The toilet is continuously ventilated to ensure an odor-free bathroom as well as drying out waste. To protect the fan from dirt and dust resulting from use, there is a filter in the air duct. This filter is not pre-installed but must be installed on site as shown below. The filter should be cleaned regularly to maintain its proper functioning.

To install the yellow fan filter in the toilet, follow the steps below:



## Place basket in the urine drain

Place the supplied basket in the urine drain. The net ensures that no large objects enter the urine outlet. The basket is designed to perfectly fit a Separett Bio Drain Cleaner.



***Separett***<sup>®</sup>  
*Waterless toilets*

[www.separett.com](http://www.separett.com)