



MADE IN
VÄRNAMO
SWEDEN

Tiny®

by Separett®



Tiny with urine container art.no. 1270-01

User manual | Användarmanual | Käyttöopas | Brukerhåndbok
Bedienungsanleitung | Mode d'emploi | Manual de usuario



Dear customer,

Thank you for choosing a product from Separett and congratulations on your new toilet!

At Separett, we have been developing toilet solutions that are not limited by the availability of either water or sewage systems for over 40 years, with the vision of contributing to a higher quality of life for the many.

Today, our toilet solutions make the lives of hundreds of thousands of people easier, all over the world. It is very important to us that the toilet solution you have chosen is of a high quality, has a high degree of reliability, and requires minimal maintenance.

We hope that you enjoy your new product, while at the same time saving our planet loads of water.

Welcome to the Separett family

Separett[®]
Waterless toilets

Warranty

This product has a 5-year warranty for manufacturing and/or material defects.

However, this warranty does not apply to normal wear and tear, incorrect use or maintenance, or if the customer has damaged or altered the product in some way. If you have any questions regarding spare parts or warranty, please contact your nearest Separett dealer, which you can find at www.separett.com.

Keep your receipt



You will find the current warranty terms at www.separett.com

Content

Warranty	4
Important safety instructions	6
Technical data	8
Use	10
Waste handling	13
Troubleshooting	15
Accessories	16
Contact Us	17



Important safety instructions

IMPORTANT SAFETY INSTRUCTIONS

READ THE INSTRUCTIONS CAREFULLY BEFORE USE. THE MANUFACTURER IS NOT RESPONSIBLE FOR ANY PERSONAL INJURY OR OTHER DAMAGES ARISING AS A RESULT OF FAULTY INSTALLATION OR IMPROPER USE. SPARE THE USER MANUAL FOR FUTURE NEEDS!

Safety

This product can be used by children and people with impaired physical, sensory or mental capacity, as well as people with a lack of experience and knowledge of the product, provided that they are monitored or instructed on how to use the product safely and understand the risks that are associated with improper use.

- Toilet packaging and packing materials are not toys. Keep packing material out of reach for children and dispose of it properly.

WARNING! Do not use the toilet if it is damaged or not working properly.

Ensure the functioning of the toilet by regularly checking the following:

1. That the urine container is correctly positioned
2. That the gaskets are functioning
3. That there is no damage to any load-bearing parts
4. That there is no damage to the cabling

Avoid fire risk & burns

The toilet must only be used in accordance with the user manual. Materials not associated with normal toilet use should not be thrown in the toilet. Ensure that all new users of the toilet receive required information on how to use the toilet safely. The toilet is not adapted for standing or climbing on. Young children or children who cannot safely use the toilet in accordance with this manual should only use the toilet under adult supervision. Do not allow children to play with this product.

Maintenance

Regular maintenance is important to ensure that the toilet functions properly. Check the following during maintenance:

1. That toilet gaskets are intact
2. That the urine container is correctly positioned
3. That the level indicator in the urine container is functioning properly

Avoid electric shocks

1. Never use a damaged power cord or plug, and never run the cord over hot surfaces or hard sharp edges.
2. If the power cord is damaged, it must be replaced by the manufacturer, its service agent or by a professional to avoid danger.

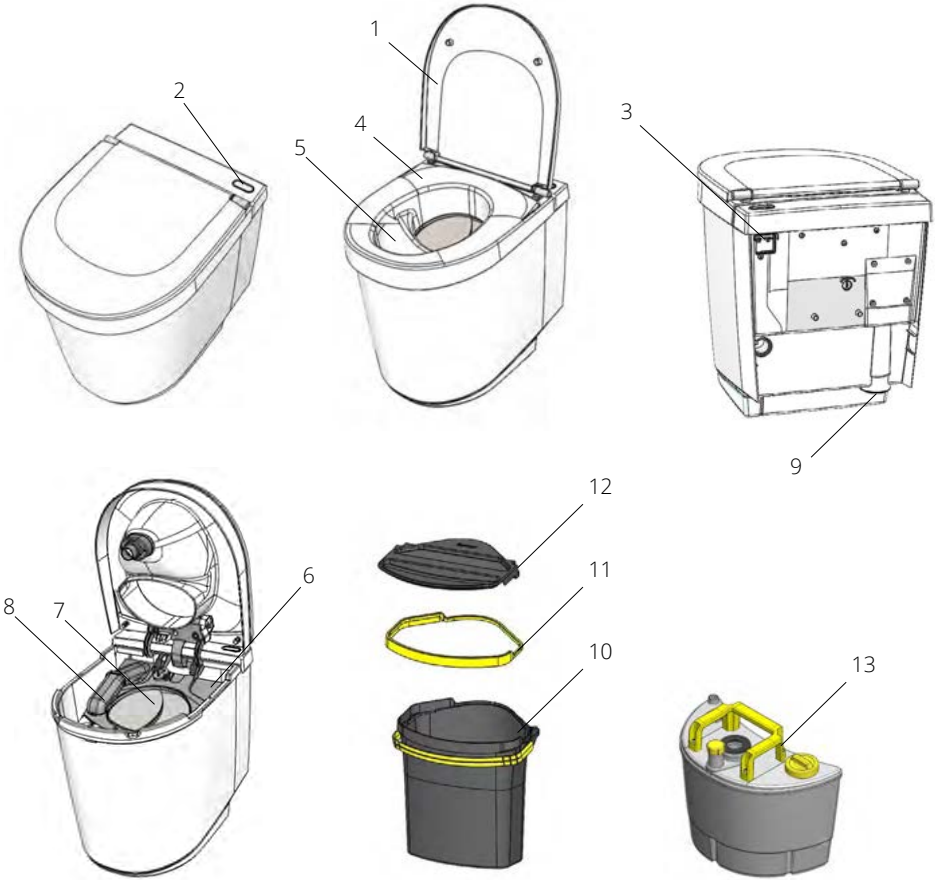
Other

- This product is intended for household use only or for a limited number of people with good knowledge of its proper use. We advise against placing urine-diverting toilets in public restrooms.
- Do not make any changes to the product that will change its specifications.

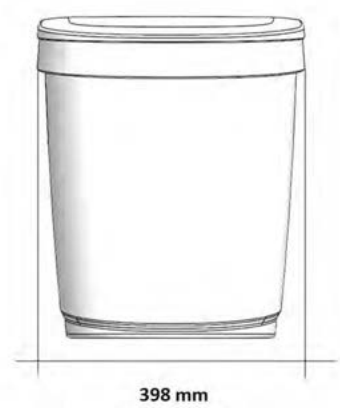
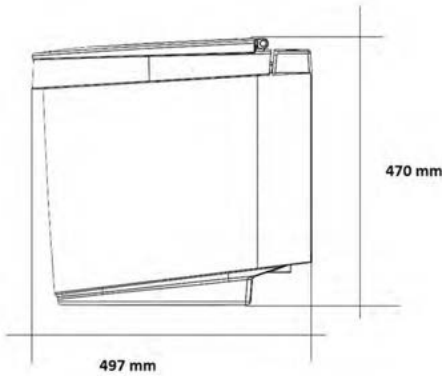
Technical data

Toilet parts

- 1. Lid
- 2. Emptying indicator
- 3. Power connection
- 4. Seat
- 5. Urine bowl
- 6. Inner lid
- 7. Screen
- 8. Fan duct
- 9. Ventilation outlet
- 10. Solid waste container
- 11. Clip-on strip for bag
- 12. Lid for solid waste container
- 13. Urine container



Measurements



Height: 470 mm (18.5")
Length: 497 mm (19.6")
Width: 398 mm (15.7")
Seat height: 440–452 mm (17.3–17.8")

Material

Outer material: High-gloss polypropylene
Inner material: Polyamide and polypropylene
Gaskets: Thermoplastic (TPE)
All materials are recyclable

Weight

8.5 kg (18.7 lbs)

Volume

Urine container: 7,1 L
Solid waste container: 14,5 L

Pipe dimensions

Ventilation pipe: Ø 50 mm (outer diameter)

Electronics

12 V, 1.6 W

Electrical connection

Grid connection: AC adapter 110/240 V–12 V (1.55 m / 5.1 ft)
Low-voltage connection: 12 V battery cable (1.9 m/6.25 ft) with crocodile clips

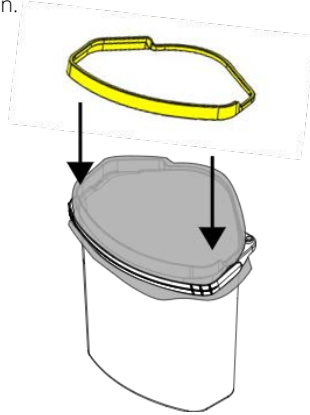
Power consumption

0.04 kwh/day, 14 kwh/year

Use

Before use

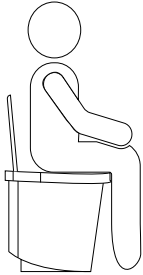
1. Ensure the function of the toilet (see section "Important Safety Instructions")
2. Connect the toilet to a power source (see section "Power supply for toilet")
3. Make sure that the fan is running
4. Place a compostable waste bag for Tiny in the waste container. The bag must always be held in place by the yellow clip-on strip to ensure that the bag is firmly attached and does not risk getting caught in the view screen.



5. Place an Absorb pad at the bottom of the waste bag to soak up excess moisture
6. Place a Bio Drain Cleaner in the basket in the urine bowl for a fresh scent and to keep the urine drain free from sediments

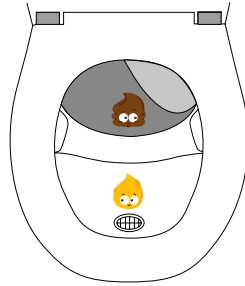
Using the toilet

1.



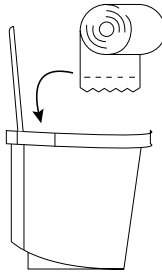
Always sit down when using the toilet
*Sit a little further back than usual so that urine
and solid waste are separated.*

2.



The view screens will slide away
when you sit down.

3.



Toilet paper can be thrown in the
same bin as the solid waste.



IMPORTANT! Never throw burning or smoldering objects in the toilet!

User instructions can be downloaded at www.seprett.com.

Cleaning & Maintenance

Separett Tiny should be cleaned with an environmentally friendly non-abrasive cleaner. This toilet is made of a strong, high-gloss polypropylene material that risks being scratched if an abrasive cleaner or scrubbing plate is used.

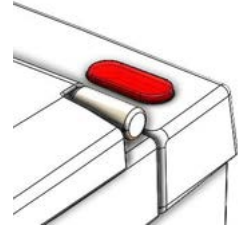
The fan must run continuously to avoid odors in the bathroom. Regularly rinse the filter in the fan duct with water to maintain good ventilation.

Waste handling

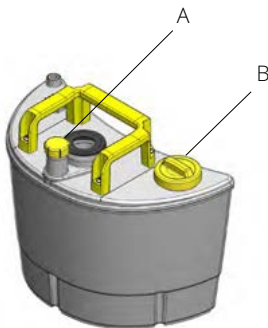
IMPORTANT! Always consult your local environmental office to find out what rules apply for waste management in your municipality. Always follow local regulations.

Emptying of urine container

For full-time use in a household of 2 people, the urine container should be emptied approximately 2–3 times per week. The toilet will signal when the urine container is full by illuminating the logo on the toilet in red. Once the light is on, the toilet can handle 1–2 uses, after which the container must be emptied. Open the top of the toilet to empty the tank. Make sure that the top is locked in its opened position before releasing it. Then follow the steps below:



1. Make sure that the small yellow cap is screwed on tight and then screw the large yellow cap onto the urine container
2. Keep the caps on and lift the container out of the toilet. To facilitate lifting, use the transverse yellow handle on the container when lifting it.
3. Carry the container to the place where it is to be emptied.
4. Unscrew the small cap and keep the large one screwed on.
5. Empty the container by holding it firmly in the handle with one hand while holding the bottom of the container with the other. Now angle the container downwards and empty the contents from the small outlet.
6. When the container is empty, screw the small cap back on and make sure it is secured.
7. Place the container in the toilet again and make sure that it is correctly positioned.
8. Unscrew the large cap of the tank and place it in its designated storage location.
9. To close the top of the toilet, pull the top towards you until the latch releases. Then carefully close the top and make sure it closes correctly. To make sure that the container is correctly positioned, test to see if the upper part springs back when you press down on the front part of the seat. If nothing happens, the container is misplaced.



*A. Small cap
B. Large cap*

Emptying of solid waste

The solid waste is collected in the waste container which is fitted with a compostable waste bag. For full-time use in a household of 2 people, the solid waste should be emptied approximately after 2 weeks of use. Open the upper part of the toilet to empty the solid waste. Make sure that the top is locked in its opened position before releasing it. Then follow the steps below:

1. Place the included lid on the container.
2. Lift the container by its yellow handle and pull it up out of the toilet.
3. Carry the container to where the waste will be handled.

The solid waste can then be handled in one of the following ways:

Option 1: To be composted directly in an approved compost

Option 2: To be incinerated directly in an approved incinerator

Option 3: Place it in a container and have it standing in "hibernation" for at least 12 months by following the steps below:

- A) Place in an appropriate location outdoors in a suitable container with a solid bottom.
- B) Fill the container with a layer of soil (approx. 2 cm (0,8")), make sure that the container is properly ventilated so that air circulates in the container.
- C) Let sit for 12 months. The bacteria in the soil will break down the harmful organisms in the feces, rendering the waste harmless.
- D) After the storage period, the contents can be composted in an ordinary compost, garden compost or buried along with the compostable bio bag.

Troubleshooting

If the indicator lamp for emptying the urine container is not working

If the urine container light does not come on when the tank is full, please check the following:

- Is there power in the wall socket?
- Is the battery/power source supplying the toilet with power?
- Are the connections and cables correctly connected to the back of the toilet?
- Is the plug for the sensor under the toilet correctly connected?

If it smells

A urine-diverting toilet from Separett should, thanks to the well-developed urine diverting and its constant air flow, ensure that the bathroom remains odorless. In the case of odors occurring, please check the following:

- Is the fan running properly? If the fan is not running properly, make sure that:
 1. Power is being supplied by the power source.
 2. The fan plug is properly connected.
 3. The cables on the back are properly connected.
- Is the ventilation grid on the pipe cap clean?
- Is the insect net of the ventilation outlet clean?
- Has the piping been carried out in accordance with the instructions?

Problems with pests in the toilet

Assuming a correct installation and correct use of Separett Tiny, the toilet space should be odor free. This means that the toilet does not need to have any additional material (such as sawdust) added to the waste container*. If you still have problems with pests in the toilet, please check the following:

- Make sure that the insect net is intact and firmly attached to the ventilation
- Check that the ventilation pipe is intact and that its joints are tight and sealed

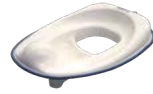
**Loose additional material also contributes to blockages in filters and can shorten the lifetime of the fan*

Accessories

Supplement with

Urine-diverting child seat

The urine-diverting child seat is a perfect complement to your urine-diverting toilet solution, enabling even the smallest ones to use the toilet.



1101

Ventilation kit

A supplementary ventilation kit that can be used if the installation requires ventilation ducts to be laid higher up and/or further away from the toilet.



1344

Urine tube

With this set a Tiny with urine container can be converted into Tiny with external urine collection.



1343

Consumables

Bio Drain Cleaner 5-pack

Separett Bio Drain Cleaner is a biological tablet that is placed in the basket in the urine bowl of the toilet. The tablet is slowly broken down and the enzymes keep the urine drain free from sediments, which over time risk constricting the flow of the urine. With 2 users, one tablet lasts for 1–2 months. Tablets can be purchased separately in packs of 5.



1118

Compostable Waste Bags, Tiny 10 pcs/20 pcs

The bio bag is specially designed to fit the Separett Tiny waste container. The bag helps to keep the waste container clean and is made of corn starch, which is an environmentally friendly compostable material. For containers up to 14.5 liters.



1337/1338

Absorb Tiny 10-pcs

The Absorb pad is placed in the bottom of the waste bag and is used to soak up any moisture coming from the waste. The cloth helps keep the contents dry and thereby odorless. This product is specially adapted for the Tiny toilet and made from compostable material.



1346

See all articles at www.separett.com

Contact Us

Documentation

This user manual as well as instructional videos are available at any time on our website.

Contact us

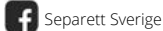
If you need help with your toilet, you can find information at any time on our website, where you can also easily submit error notifications. Can't find what you are looking for? Visit "FAQs" on our website to find the answers to the most asked questions. If you do not find an answer to your question, please feel free to contact us:

Global

Website: www.separett.com
Email: info@separett.com
Phone: +46 (0)370-307200

USA

Website: www.separett.us
Email: contact.us@separett.com
Phone: +1(800) 975-6740



Separett[®]
Waterless toilets

www.separett.com