

EVOx SQUAT STAND

ASSEMBLY GUIDE



AGAIN / FASTER

Again Faster Equipment • service@againfaster.com • (877) 763-8775

OVERVIEW

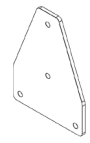
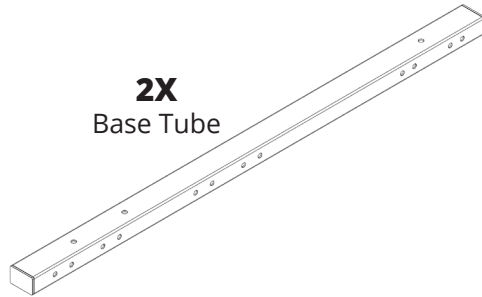
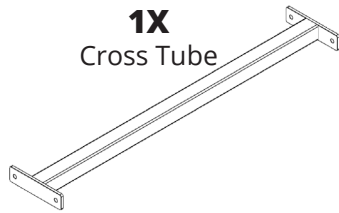
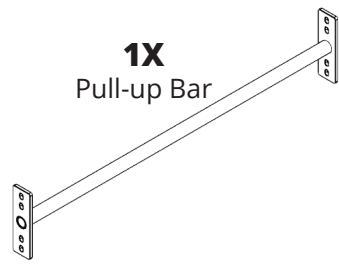
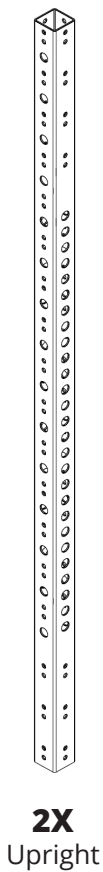
Congratulations on your new EVOx Squat Stand!

The Again Faster EVOx Squat Stand is the centerpiece of your garage gym. Ultimately versatile, this rack supports nearly every movement you can perform from bench and squats to pullups and ring dips.

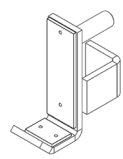
WARNING

Serious or fatal crushing injuries can occur from equipment tip-over. To prevent this stand from tipping over, it must be permanently fixed to the floor.

WHAT'S INCLUDED



4X
Triangle
Brackets



2X
J-Cups



8X
110mm
M12 Bolt



8X
90mm
M12 Bolt



32X
M12 Washer



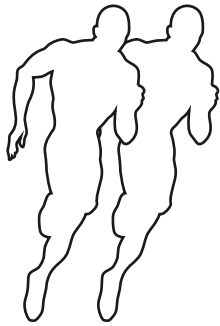
16X
M12 Nut



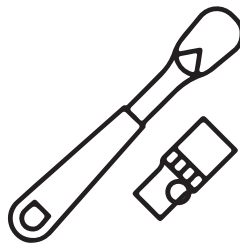
4X
Rubber Feet

WHAT YOU'LL NEED

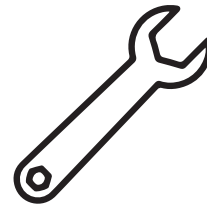
Assembly of this squat stand is straightforward. But it's always easier when you have a friend to help. So call a buddy who owes you a favor and get to work.



TWO PEOPLE



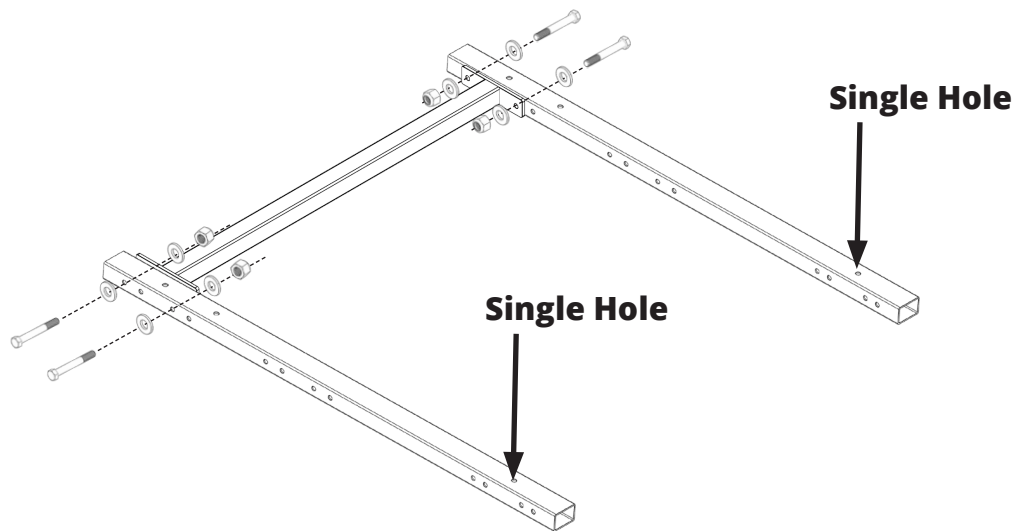
**19MM
RATCHET**



**19MM
WRENCH**

STEP ONE

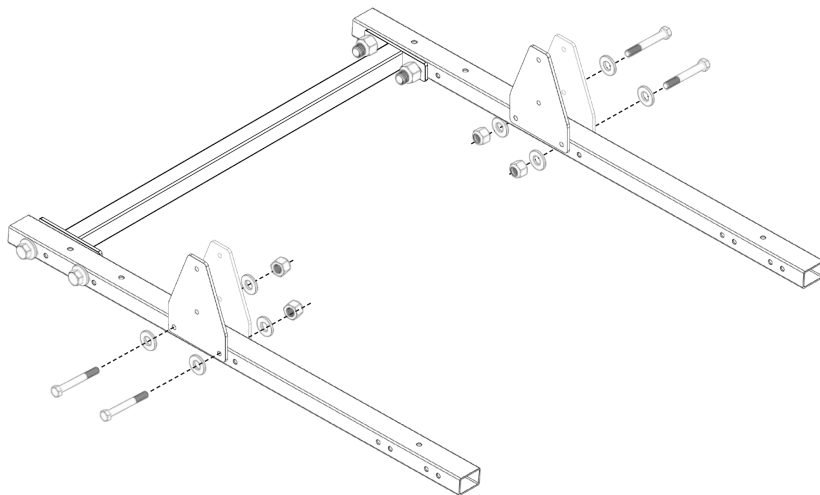
Lay the two base tubes on the ground with single top holes pointed forward.
Connect base tubes with cross tube using 90mm bolts in the indicated holes.



STEP TWO

Connect triangle brackets using 110mm bolts through indicated holes.

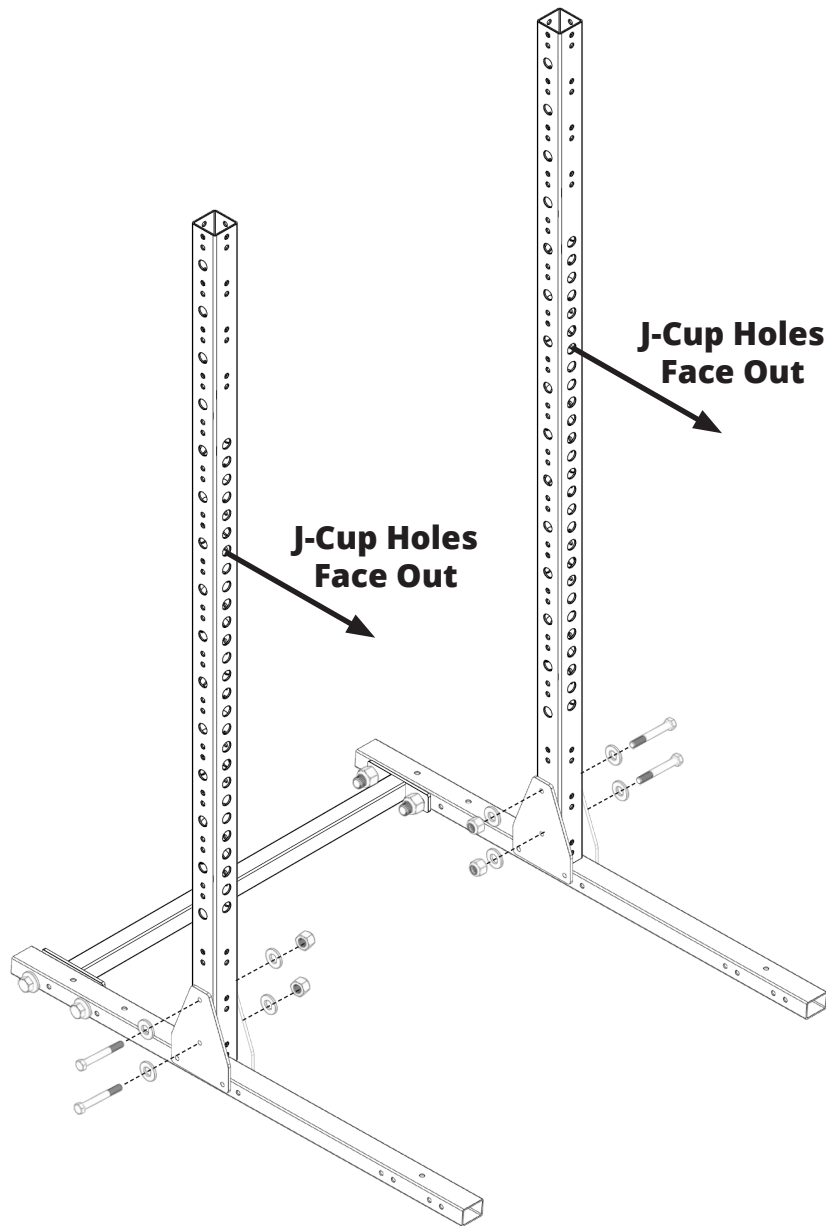
IMPORTANT: DO NOT TIGHTEN BOLTS



STEP THREE

With your partner, place uprights in-between the triangle brackets, ensuring j-cup holes are facing out. Secure with 110mm bolts through indicated holes.

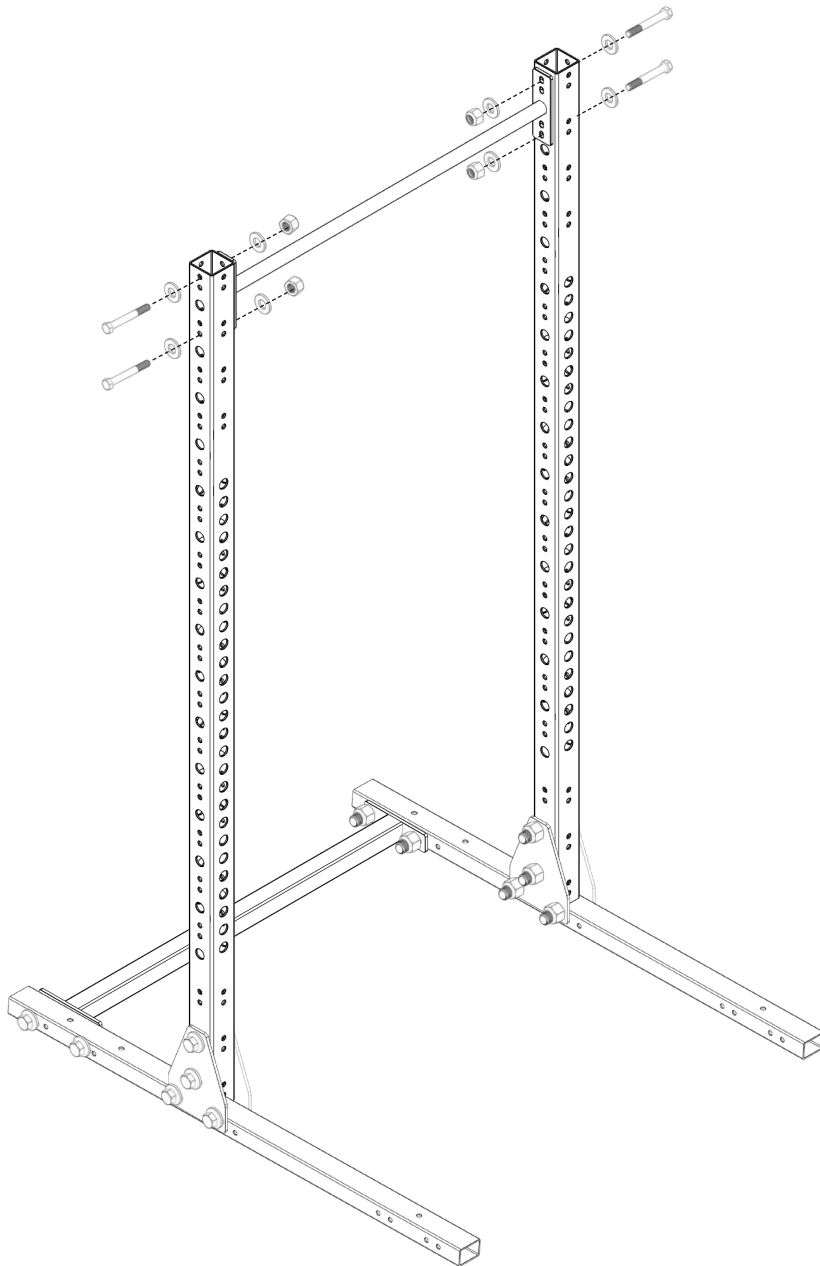
IMPORTANT: DO NOT TIGHTEN BOLTS



STEP FOUR

With your partner, install pull-up bar at desired height using 90mm bolts.

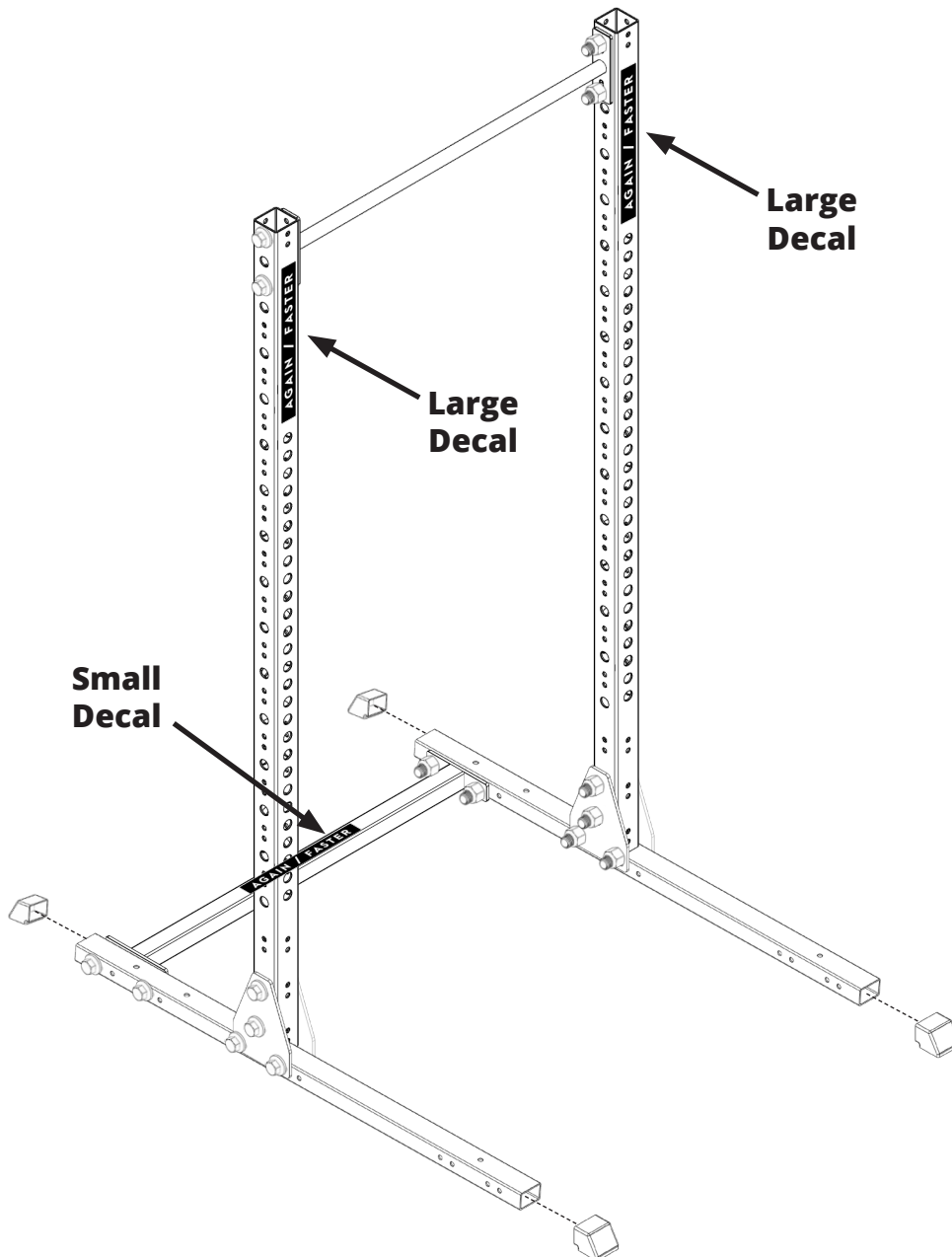
Tighten all bolts on stand.



STEP FIVE

Slide rubber feet on each end of base tube. Apply large decals to uprights and small decal to crosstube.

IMPORTANT: TO FULLY SECURE STAND, BOLT IT TO FLOOR. THIS METHOD WILL VARY DEPENDING ON YOU STRUCTURE. CALL A QUALIFIED CONTRACTOR FOR HELP



COMPLETE

Congrats! Your assembly is complete.

**IMPORTANT:
CHECK TO MAKE SURE BOLTS ARE
TIGHTENED BEFORE EVERY USE**

