



MT-2030 BACKREST STADIUM SEAT

Descriptions

Blow molded Seat for stadium bleachers, with ergonomic design, textured matte su antivandalic and very resistant.

Monoblock seat with high backrest (38 cm).

Seat finished in textured matte surface.

The seat could be installed by 3 anchoring points to the concrete.

Light resistance: Additive anti-UV.

Constant color.

Anchorage system: optional 3 anchorage points

Warranty: 3 Years

Weight: 2.5 KG

Capacity: 1500 pes / 20" container

Installation options

INDIVIDUAL :

- Directly on step
- Floor mounted: on metallic brackets.
- Riser mounted: on metallic brackets or PP-Fiberglass brackets.

COLLECTIVE :

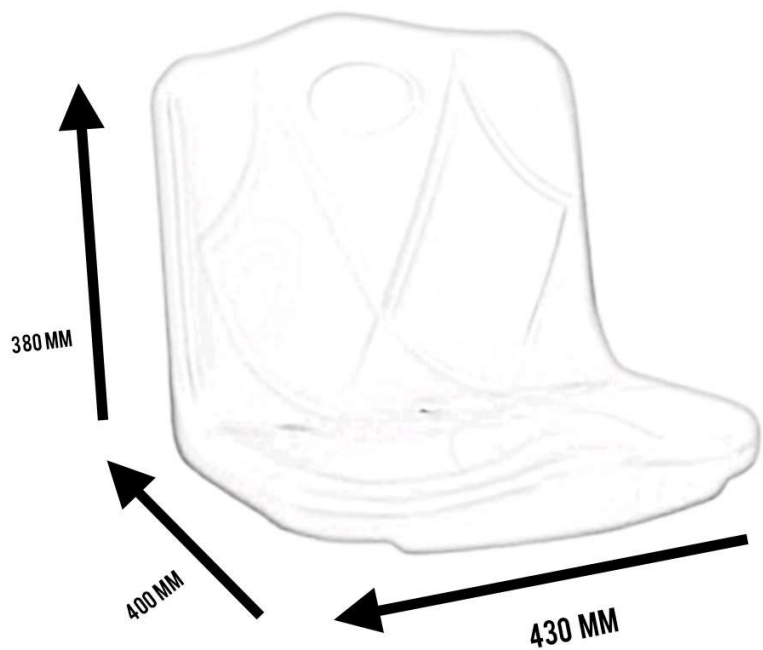
- On benches fixed or mobile



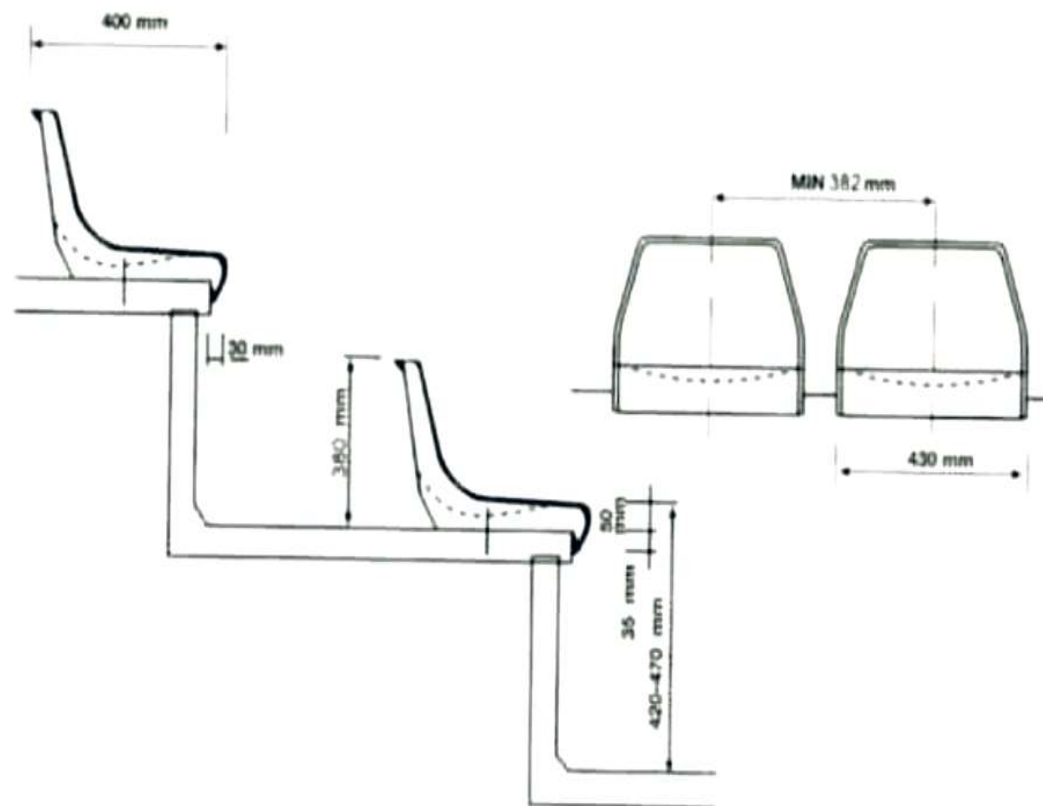


MT-2030

DIMENSIONS AND INSTALLATION



| W | D | H |
|--------|--------|--------|
| 430 mm | 400 mm | 380 mm |





MT-2031 BACKREST STADIUM SEAT

Description:

Blow molded Seat for stadium bleachers, with ergonomic design, textured matte surface.

Anti-vandalism and very resistant.

Mono block seat with high backrest(42cm).

Seat finished in textured matte surface.

The seat could be installed by 2 or 3 anchoring points to the concrete.

Light resistance: Additive anti-UV.

Constant color.

Anchorage system: optional 2 or 3 anchoring points.

Warranty: 3 Years (Quality and Constant Color). Weight: 3 KG.

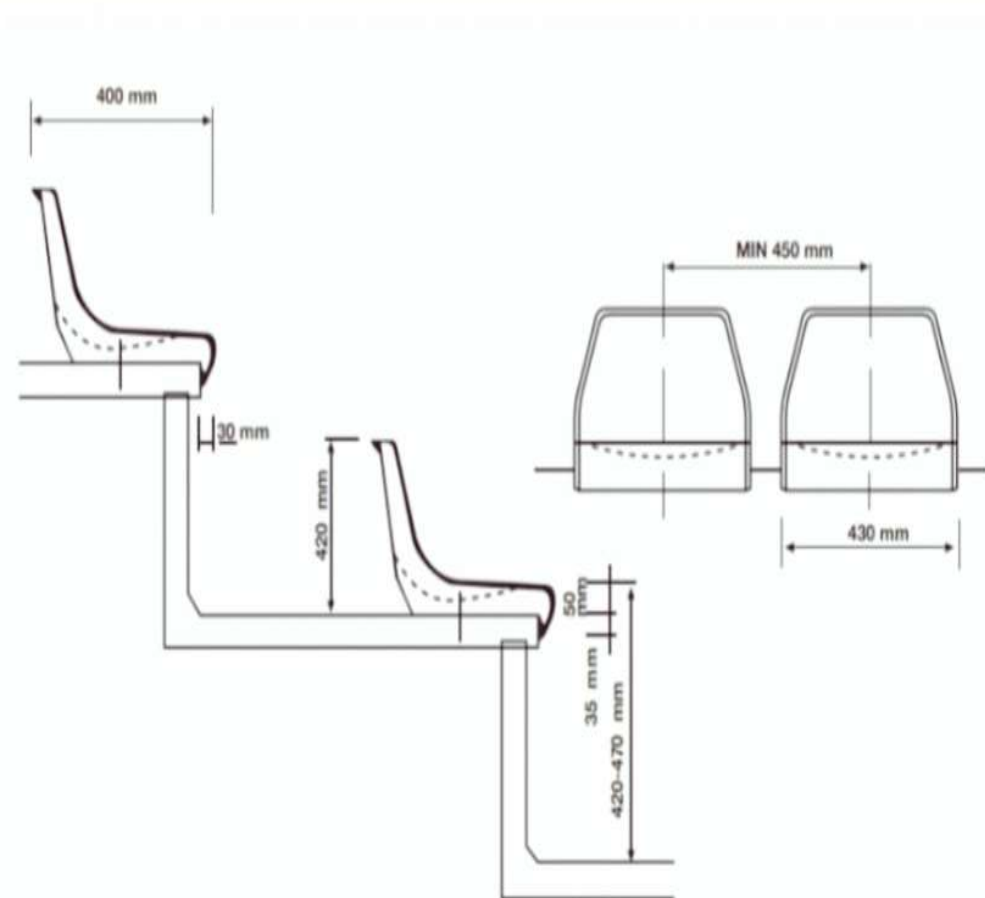
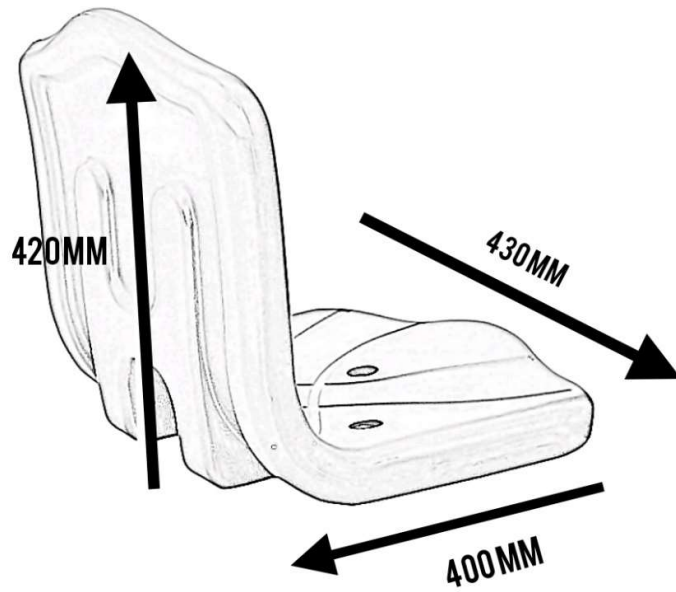
Capacity: 1500 pcs / 20" container.





MT-2031 DIMENSIONS AND INSTALLATION

| W | D | H |
|--------|--------|--------|
| 430 mm | 400 mm | 420 mm |





BACKREST STADIUM SEAT MT-2032

DESCRIPTION:

Medium-height backrest Backless shell seat for conventional narrow tread grandstands.

Compatible for install at dismountable or telescopic bleachers.

Seat molded by injection in stabilized high quality copolymer polypropylene.

Shiny surface and Sealed around their entire perimeter to prevent dirt from accumulating inside the seats.

Counts with central drainage.

Light resistance: Additive anti-UV.

Resistance to severe public use.

Anchorage system: One central anchoring point.

Curved front edge with right-angle base overlapping terrace front.

Warranty: 3 Years (Quality and Constant Color).

Weight: 1.3 KG.

Capacity: 1500 pcs / 20" container.

Installation Option:

- Individual: Directly on step. Floor mounted. Riser mounted.
- Collective: On benches fixed or mobile.

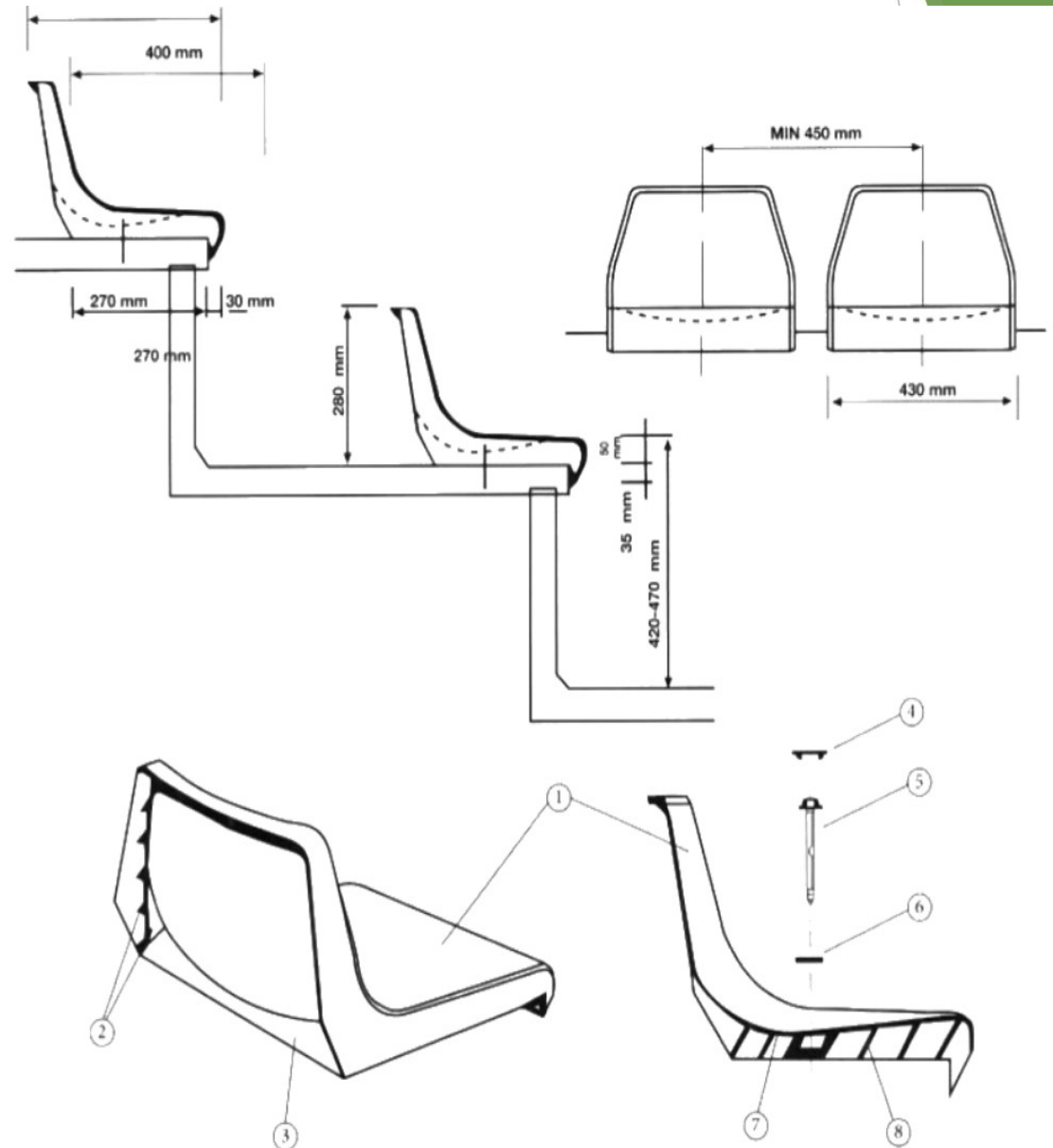
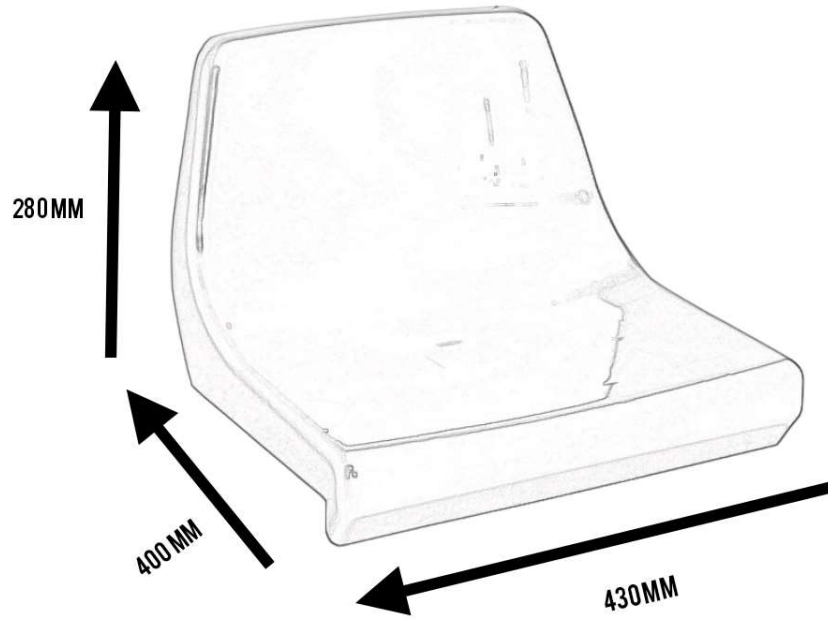




MT-2032

DIMENSIONS AND INSTALLATION

| W | D | H |
|--------|--------|--------|
| 430 mm | 400 mm | 280 mm |





MT-2033 BACKLESS STADIUM SEAT

Backless shell seat, for conventional and metallic grandstands (telescopic or dismountable).

Seat moulded by injection in stabilized high quality copolymer polypropylene.

Shiny surface. Sealed around their entire perimeter to prevent dirt from accumulating inside the seats, and in turn making it easy to clean.

Counts with central drainage.

Light resistance: Additive anti-UV.

Warranty: 3 years.

Resistance to severe public use.

Anchorage system:

1 central anchoring point reinforced with a small steel plate.

Curved front edge of 35 mm with right-angle base overlapping terrace front.

Central drainage.

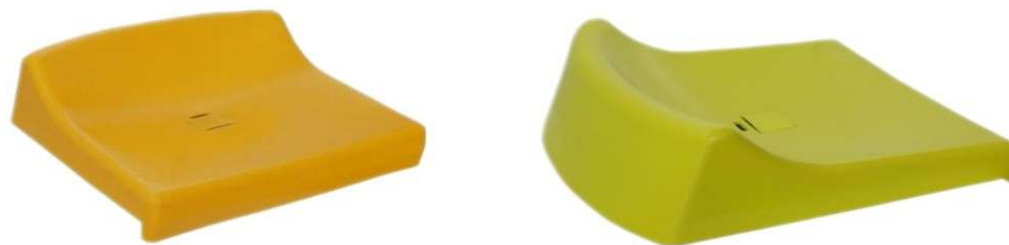
Installation options:

INDIVIDUAL :

- Directly on step.
- Floor mounted.
- Riser mounted.

COLLECTIVE :

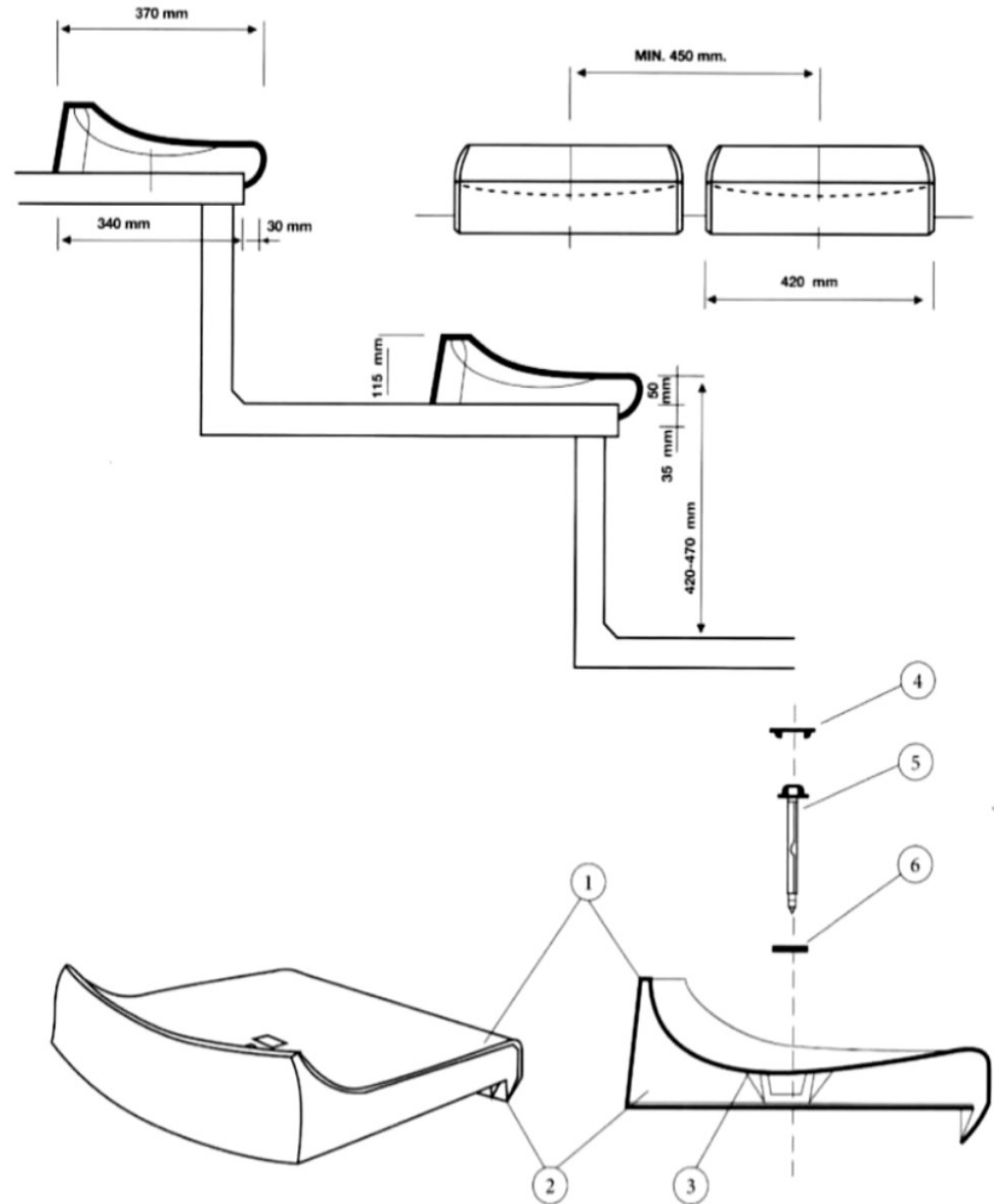
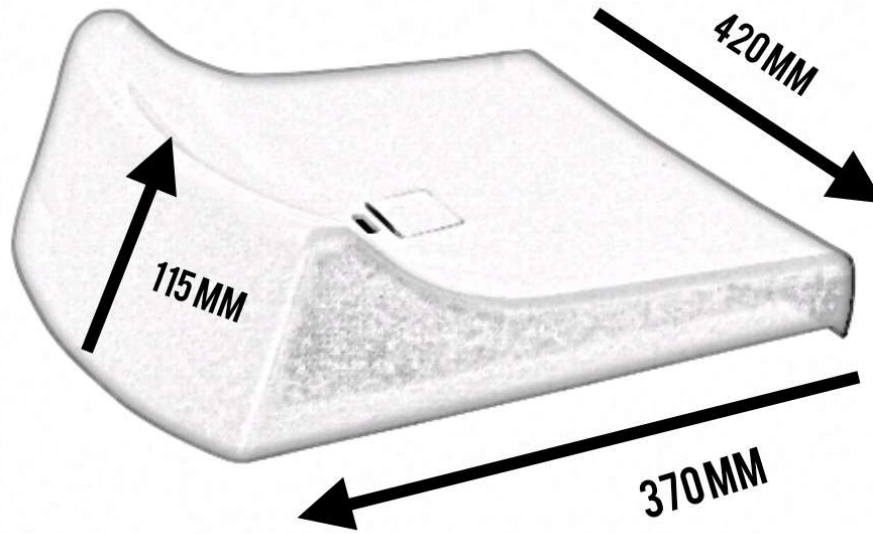
- On benches fixed or mobile.





MT-2033 DIMENSIONS AND INSTALLATION

| W | D | H |
|--------|--------|--------|
| 420 mm | 370 mm | 115 mm |





MT-2034 BACKREST STADIUM SEAT

► **DESCRIPTION :**

Double Backrest Seat for stadium bleachers, with ergonomic design.

Textured glossy surface and anti-vandalism and very resistant.

Mono block seat with high backrest (35.2 cm). Seat finished in textured glossy surface.

The seat could be installed by 2 anchoring points to the concrete.

Light resistance: Additive anti-UV.

Constant color.

Anchorage system: 2 anchoring points.

Warranted for 3 Years (quality and Constant Color).

Weight: 1.7KG.

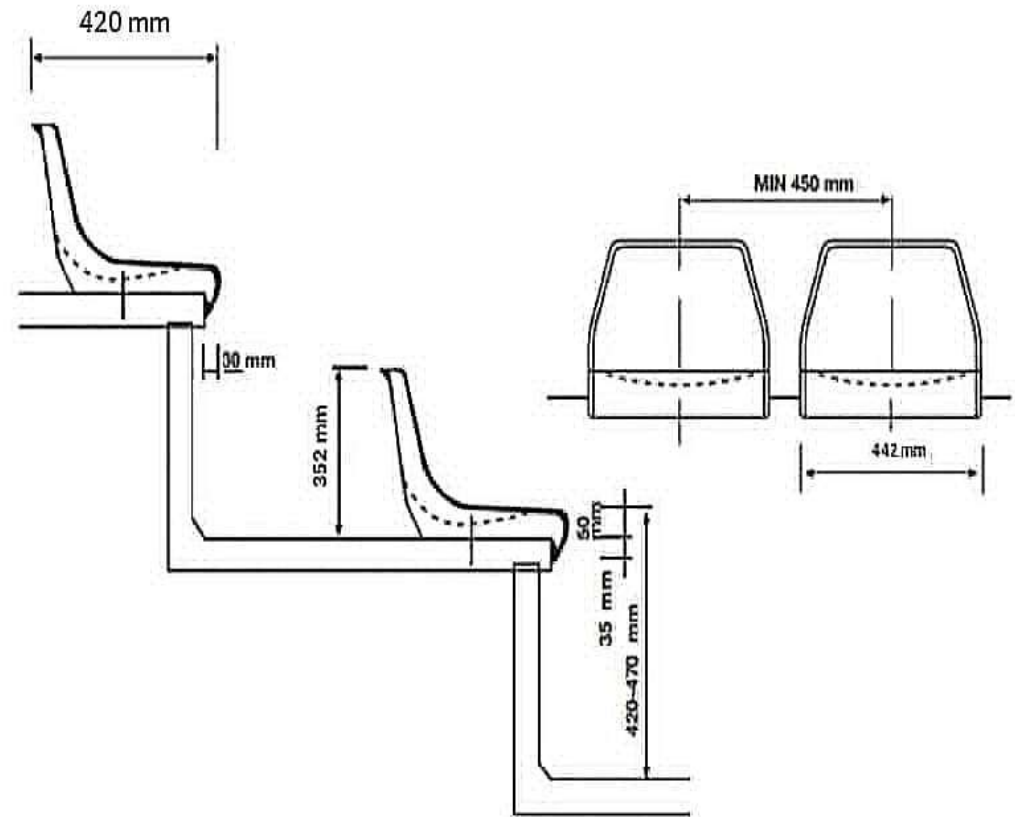
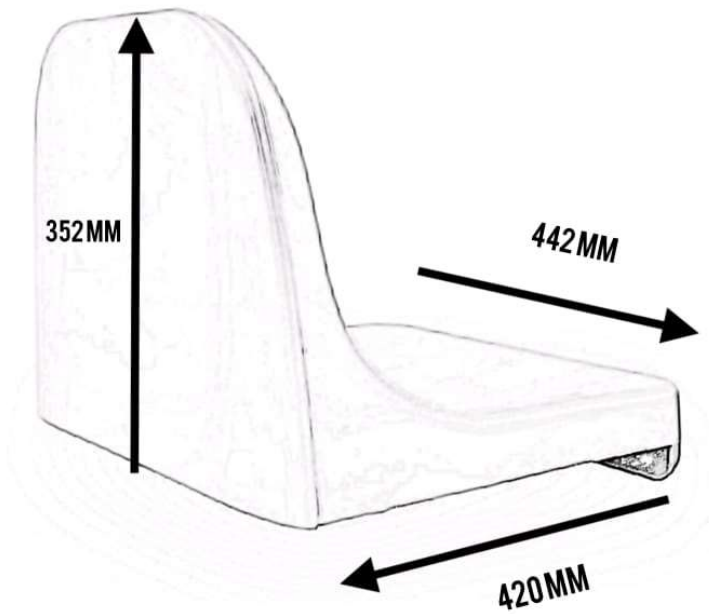
Capacity: 2500 pcs / 40" container.





MT-2034 DIMENSIONS AND INSTALLATION

| W | D | H |
|--------|--------|--------|
| 442 mm | 420 mm | 352 mm |





MT-2035 TIP UP FOLDABLE STADIUM CHAIR DESCRIPTION AND INSTALLATION

- MT-2035 with its wide contoured seat and ergonomically shaped back.
- The slim tip-up mechanism provides maximum seatway even in the narrowest row depths.
- The integrated maintenance free rotating mechanism with interior counterweight ensures a perfectly engineered fold back.
- MT-2035 seat is popular for swimming pool and leisure centre spectator seating, as well as applications in traditional stadia and arenas.
- The blow moulded double walled high impact polymer means this seat is very durable.
- It is appropriate for various installation arrangements including floor-mounted, beam-mounted, retractable seating or riser mounted structures.
- The design Slim folding mechanism Perfectly engineered fold back Robust and durable.
- No sharp edges or gaps Blow moulded durable polymer Ergonomic design.
- Ease of maintenance and installation.
- Gravity tip-up seat.

| W | D | H |
|--------|--------|--------|
| 450 mm | 370 mm | 370 mm |

