



TP-P1A# Side Pole Mount Installation

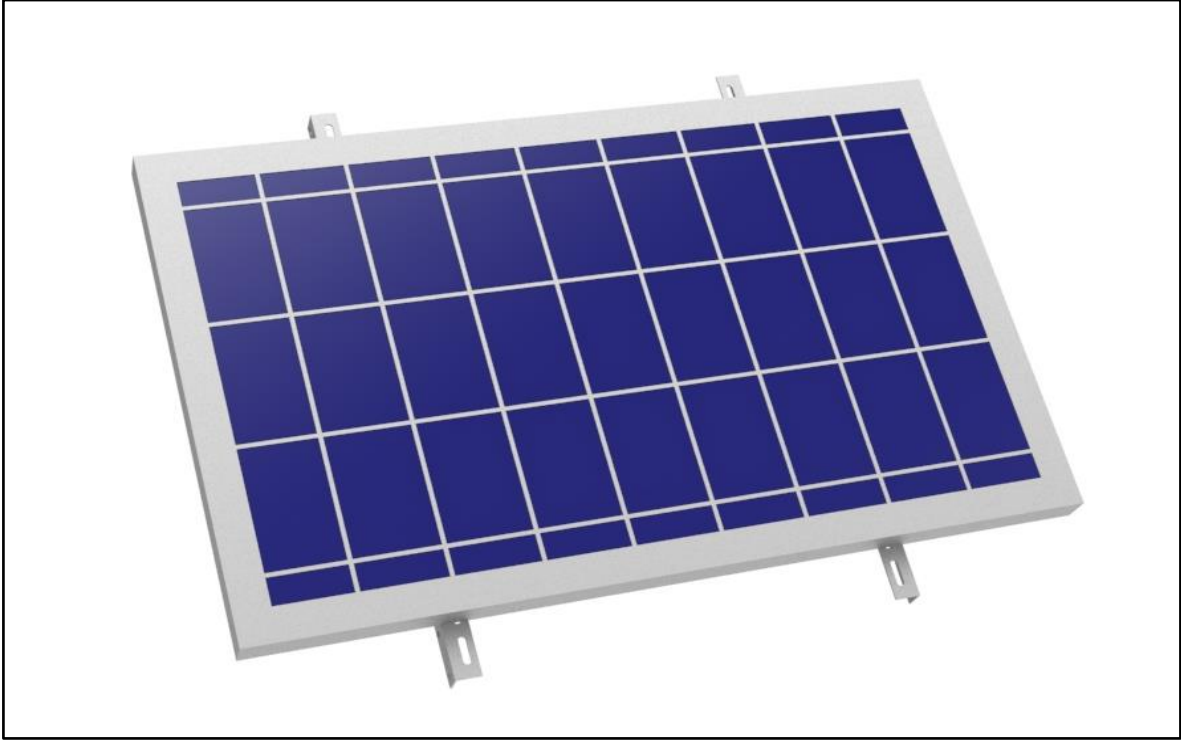


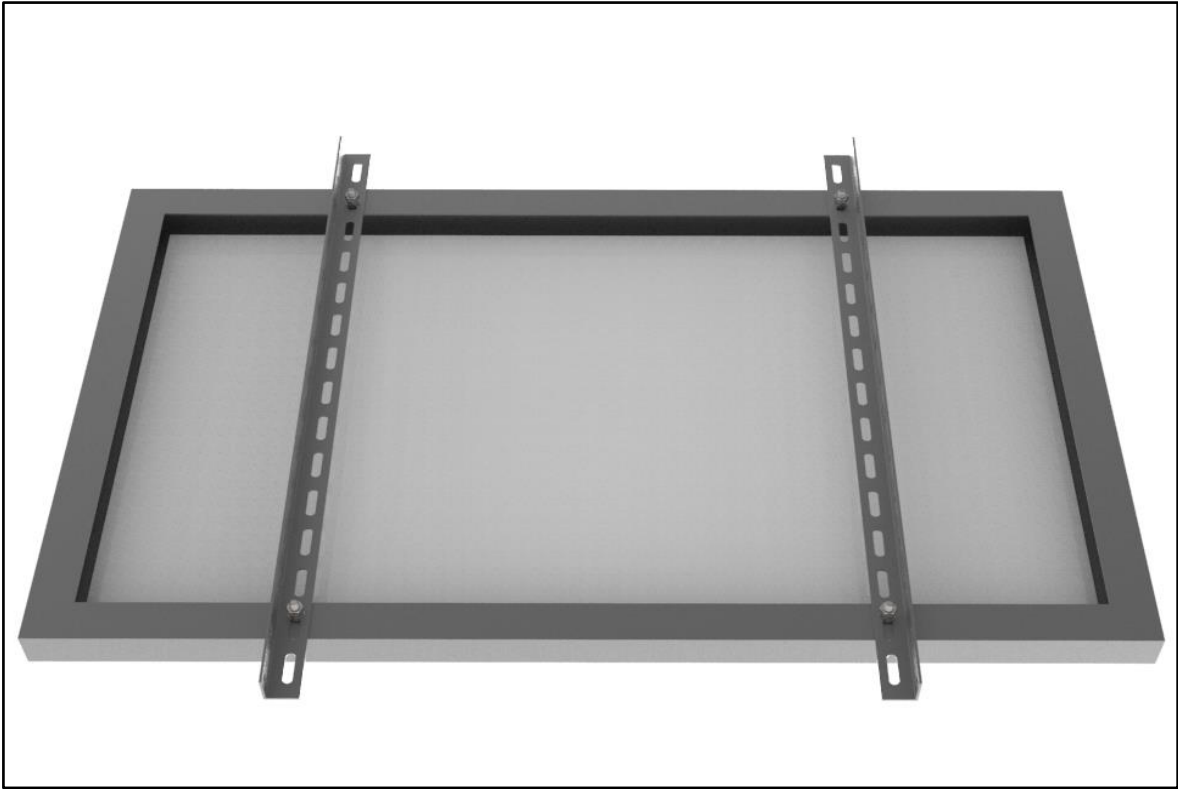
Components

1	2	3	4	5	6
AL6005	AL6005	AL6005	AL6005	SUS304	SUS304

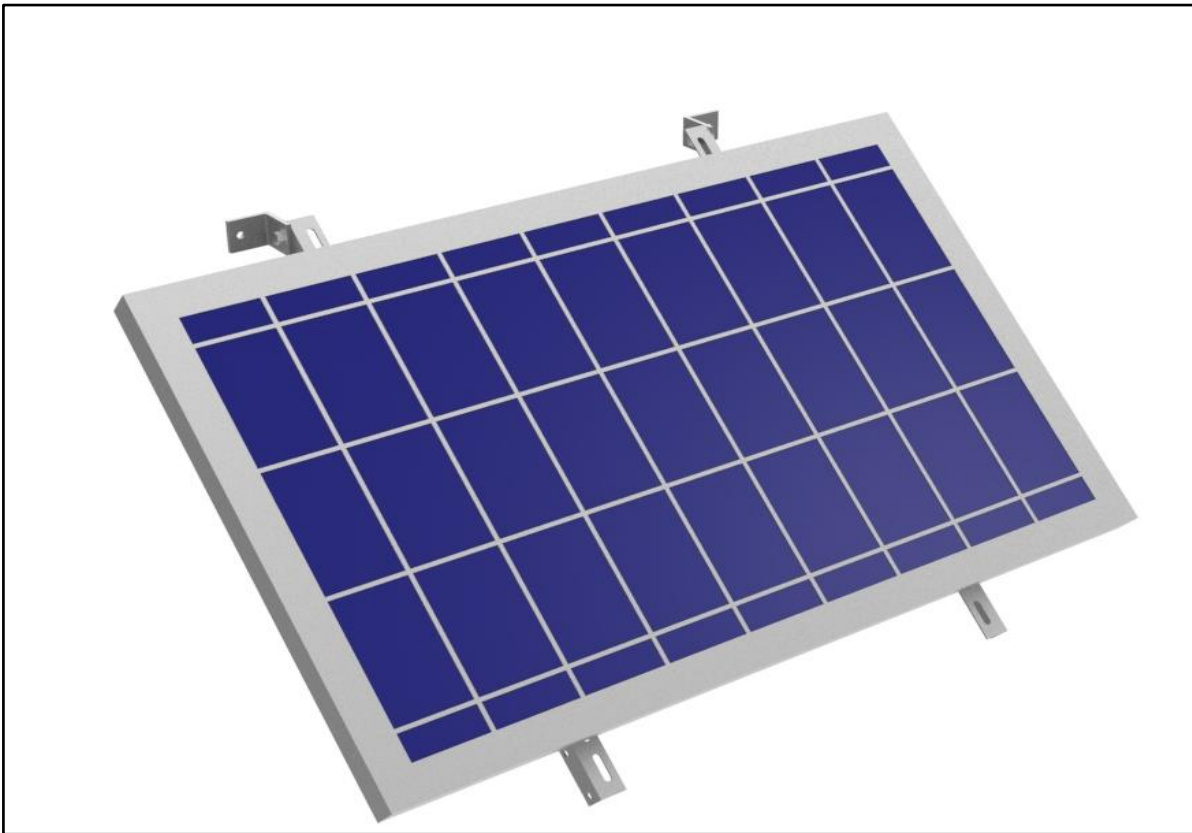
Mounting Steps

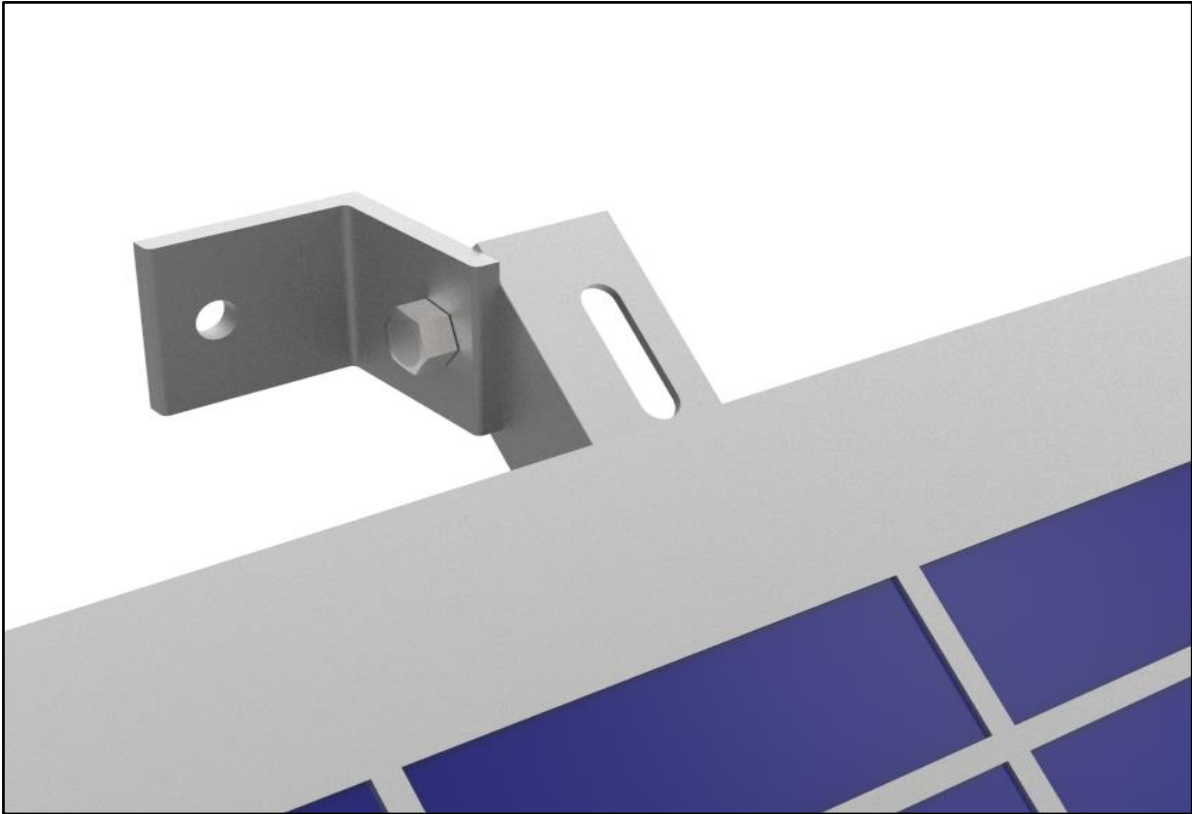
1. Connect the mounting brackets to mounting holes of panels with M8 screws.



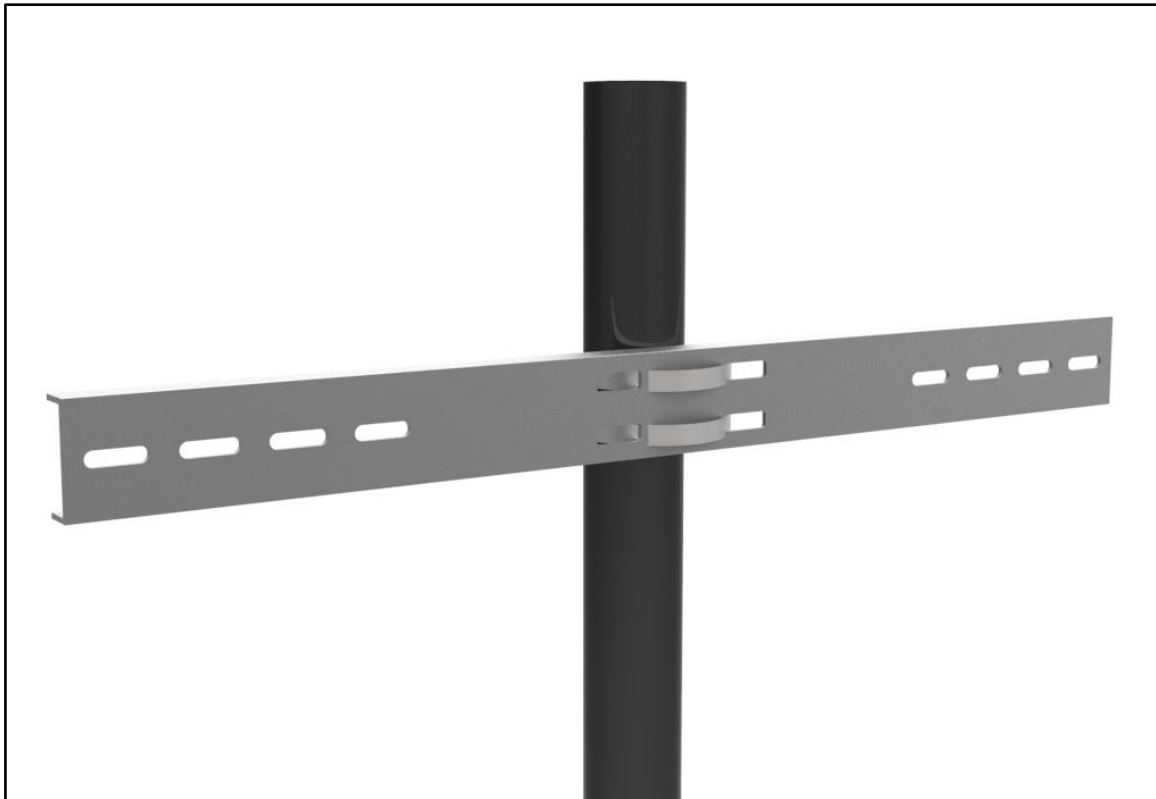


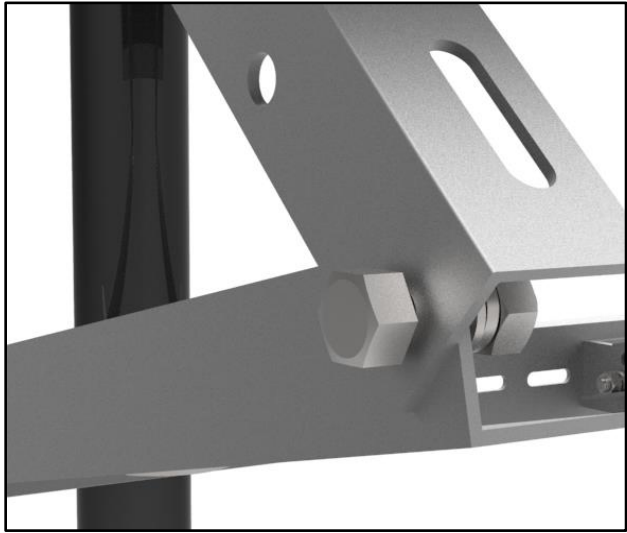
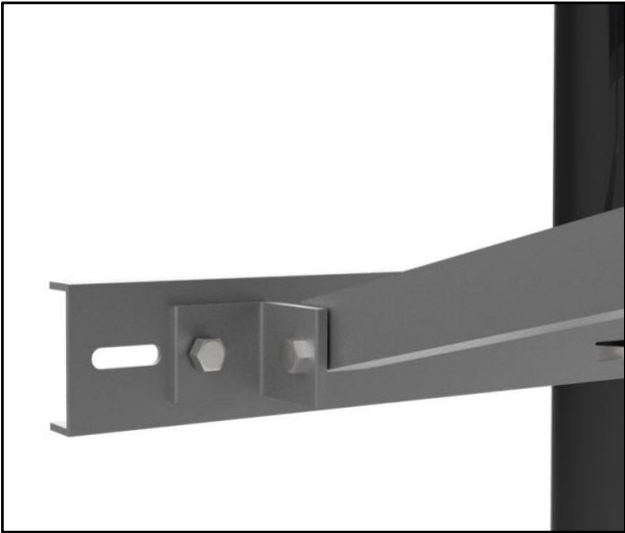
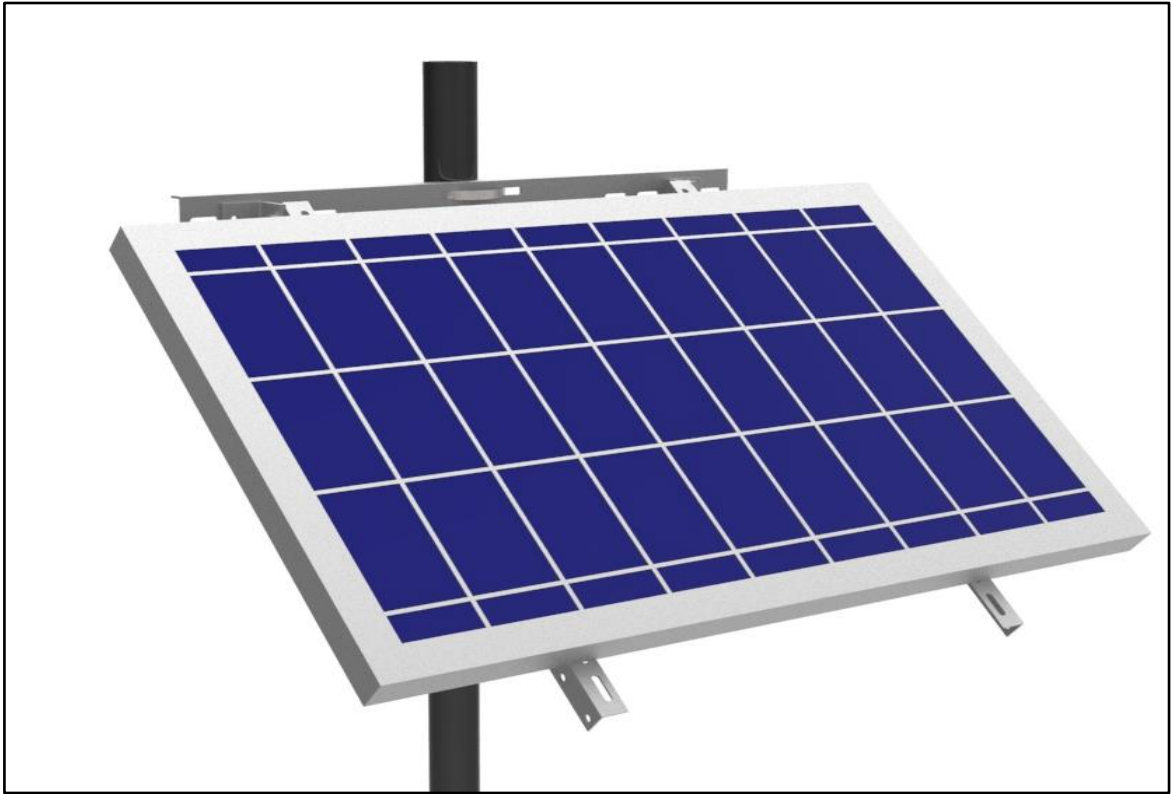
2. Fix the L feet to the brackets with M8 screws.





3. Install the brackets to the pole with solar cable tie.





4.Finished.

