



TUV Rheinland



SMART ENERGY
COUNCIL

SOLAR. STORAGE. SMART ENERGY



Dyness
ENERGY STORAGE SYSTEM

DYNESS
ENERGY STORAGE SYSTEM

Store Energy, Save the Planet

D y n e s s

Commercial

Solutions



DYNESS
ENERGY STORAGE SYSTEM

Flexible Configuration

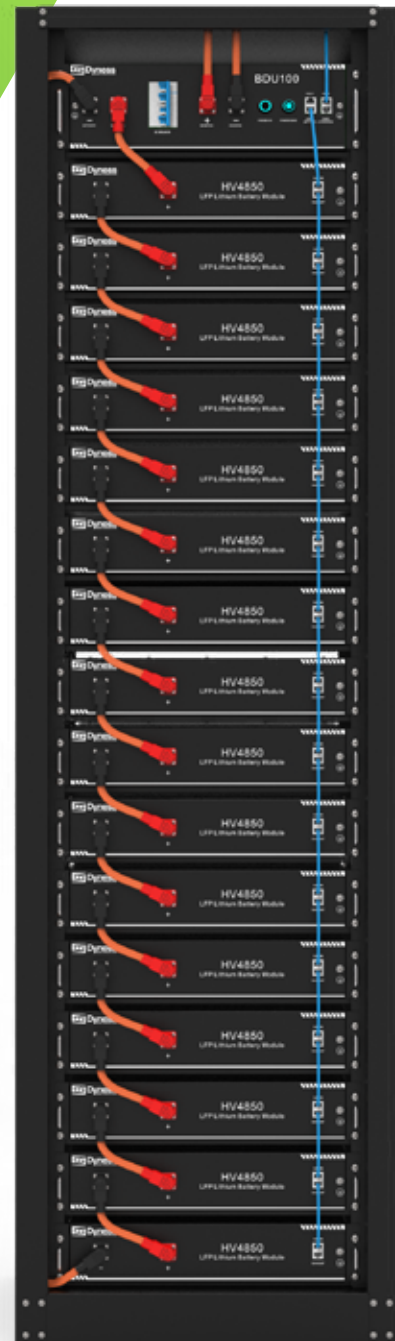
Professional Energy Solution Provider



Residential • Commercial

Rack system

Fully Certified



Full range available at low voltage and high voltage.

Store Energy, Save the Planet

RACK LV

B4850



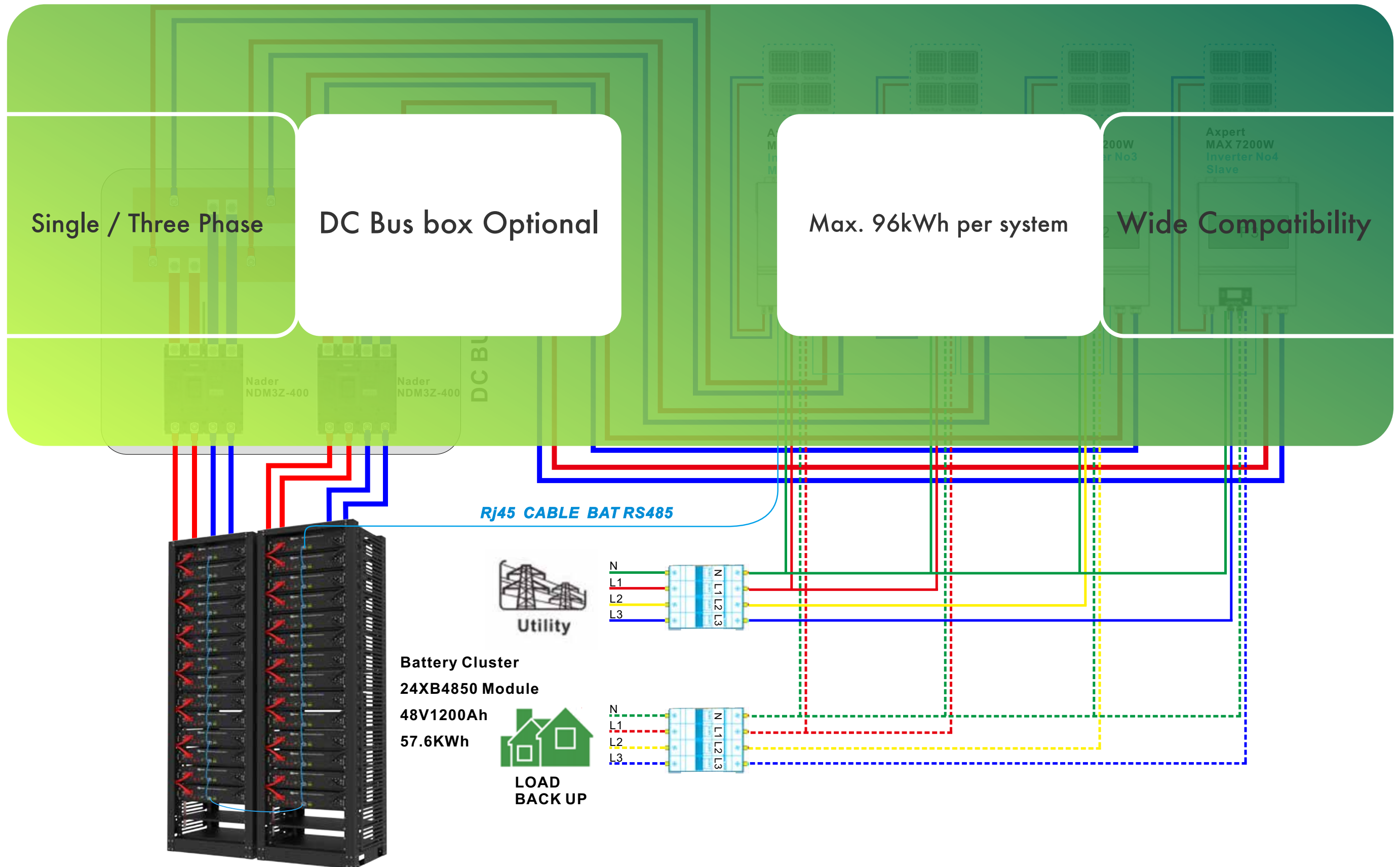
Dyness 48V range Rack is widely compatible with leading inverter brand.
 With it's smart BMS in each battery module, no extra hub devices needed.
 The entire system is intelligently managed.



Power Rack LV1

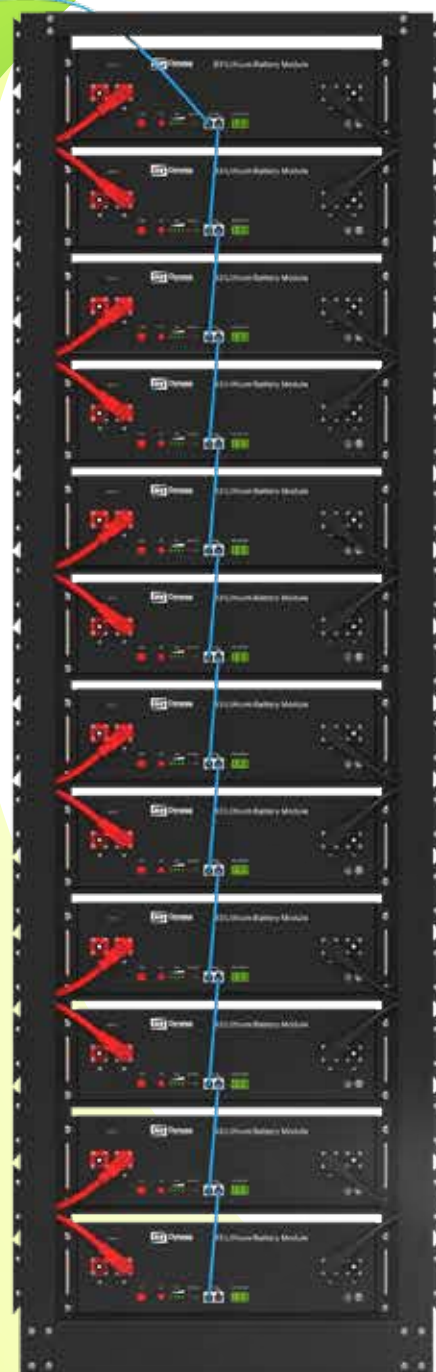


Item	PowerRack LV1-9.6	PowerRack LV1-12.0	PowerRack LV1-14.4	PowerRack LV1-16.8	PowerRack LV1-19.2	PowerRack LV1-21.6	PowerRack LV1-24.0	PowerRack LV1-26.4	PowerRack LV1-28.8	PowerRack LV1-31.2	PowerRack LV1-33.6	PowerRack LV1-36.0	PowerRack LV1-38.4
Module Type	LFP	LFP	LFP	LFP	LFP	LFP	LFP	LFP	LFP	LFP	LFP	LFP	LFP
Total storing Energy(kWh)	9.6	12	14.4	16.8	19.2	21.6	24	26.4	28.8	31.2	33.6	36	38.4
Module configuration	4 parallel	5 parallel	6 parallel	7 parallel	8 parallel	9 parallel	10 parallel	11 parallel	12 parallel	13 parallel	14 parallel	15 parallel	16 parallel
Voltage Range[Vdc]	42-54	42-54	42-54	42-54	42-54	42-54	42-54	42-54	42-54	42-54	42-54	42-54	42-54
Battery System Voltage[Vdc]	48	48	48	48	48	48	48	48	48	48	48	48	48
Battery System Capacity[Ah]	200	250	300	350	400	450	500	550	600	650	700	750	800
Battery System Charge Voltage[Vdc]	54	54	54	54	54	54	54	54	54	54	54	54	54
Battery System Charge Current[A] (Standard)	40	50	60	70	80	90	100	110	120	130	140	150	160
Battery System Charge Current[A] (Normal)	100	125	150	175	200	225	250	275	300	325	350	375	400
Battery System Charge Current[A] (Max)	160	200	240	280	320	360	400	440	480	520	560	600	640
Battery System Discharge lower-Voltage[Vdc]	42	42	42	42	42	42	42	42	42	42	42	42	42
Battery System Discharge Current[A] (Standard)	40	50	60	70	80	90	100	110	120	130	140	150	160
Battery System Discharge Current[A](Normal)	100	125	150	175	200	225	250	275	300	325	350	375	400
Battery System Discharge Current[A](Max)	200	250	300	350	400	450	500	550	600	650	700	750	800
Battery System Max. Charge & Discharge Current[A] (when in communication)	100	125	150	175	200	225	250	275	300	325	350	375	400
Discharge condition[°C]	-20-55	-20-55	-20-55	-20-55	-20-55	-20-55	-20-55	-20-55	-20-55	-20-55	-20-55	-20-55	-20-55
Charge condition[°C]	-5-55	-5-55	-5-55	-5-55	-5-55	-5-55	-5-55	-5-55	-5-55	-5-55	-5-55	-5-55	-5-55
Max. Discharge Power [kW]	9.6	12	14.4	16.8	19.2	21.6	24	26.4	28.8	31.2	33.6	36	38.4
Max. Charge & Discharge Power [kW] (when in communication)	5.76	7.2	8.64	10.08	11.52	12.96	14.4	15.84	17.28	18.72	20.16	21.6	23.04
Enclosure Protection (IP)	IP 20	IP 20	IP 20	IP 20	IP 20	IP 20	IP 20	IP 20	IP 20	IP 20	IP 20	IP 20	IP 20
Size [mm]	601*510*1290	601*510*1290	601*510*1290	601*510*1290	601*510*1290	601*510*1290	601*510*1290	601*510*1957	601*510*1957	601*510*1957	601*510*1957	601*510*1957	601*510*1957
Weight [kg]	160	183	206	229	252	275	298	350	373	396	419	442	465
Battery Module Name	B4850	B4850	B4850	B4850	B4850	B4850	B4850	B4850	B4850	B4850	B4850	B4850	B4850
Battery Module Quantity(pcs)	4	5	6	7	8	9	10	11	12	13	14	15	16



RACK LV

B3



Standard 19" module size, easy to stack up.

Up to 40 battery modules parallel per system.
Easy to expand to multi-system with bigger capacity.



Item	PowerRack LV2-14.4	PowerRack LV2-18	PowerRack LV2-21.6	PowerRack LV2-25.5	PowerRack LV2-28.8	PowerRack LV2-32.4	PowerRack LV2-36	PowerRack LV2-39.6	PowerRack LV2-43.2
Module Type	LFP	LFP	LFP	LFP	LFP	LFP	LFP	LFP	LFP
Total storing Energy(kWh)	14.4	18	21.6	25.2	28.8	32.4	36	39.6	43.2
Module configuration	4 parallel	5 parallel	6 parallel	7 parallel	8 parallel	9 parallel	10 parallel	11 parallel	12 parallel
Voltage Range[Vdc]	42-54	42-54	42-54	42-54	42-54	42-54	42-54	42-54	42-54
Battery System Voltage[Vdc]	48	48	48	48	48	48	48	48	48
Battery System Capacity[Ah]	300	375	450	525	600	675	750	825	900
Battery System Charge Voltage[Vdc]	54	54	54	54	54	54	54	54	54
Battery System Charge Current[A] (Standard)	60	75	90	105	120	135	150	165	180
Battery System Charge Current[A] (Normal)	100	125	150	175	200	225	250	275	300
Battery System Charge Current[A] (Max)	160	200	240	280	320	360	400	440	480
Battery System Discharge lower-Voltage[Vdc]	42	42	42	42	42	42	42	42	42
Battery System Discharge Current[A] (Standard)	60	75	90	105	120	135	150	165	180
Battery System Discharge Current[A] (Normal)	100	125	150	175	200	225	250	275	300
Battery System Discharge Current[A] (Max)	200	250	300	350	400	450	500	550	600
Battery System Max. Charge & Discharge Current[A] (when in communication)	150	187.5	225	262.5	300	337.5	370.5	412.5	450
Discharge condition[°C]	-20-55	-20-55	-20-55	-20-55	-20-55	-20-55	-20-55	-20-55	-20-55
Charge condition[°C]	-5-55	-5-55	-5-55	-5-55	-5-55	-5-55	-5-55	-5-55	-5-55
Max. Discharge Power [kW]	9.6	12	14.4	16.8	19.2	21.6	24	26.4	28.8
Max. Charge & Discharge Power [kW] (when in communication)	5.76	7.2	8.64	10.08	11.52	12.96	14.4	15.84	17.28
Enclosure Protection (IP)	IP 20	IP 20	IP 20	IP 20	IP 20	IP 20	IP 20	IP 20	IP 20
Size [mm]	601*510*1393	601*510*1393	601*510*1393	601*510*1393	601*510*1393	601*510*2013	601*510*2013	601*510*2013	601*510*2013
Weight [kg]	195	228	261	294	327	385	418	451	484
Battery Module Name	B3	B3	B3	B3	B3	B3	B3	B3	B3
Battery Module Quantity(pcs)	4	5	6	7	8	9	10	11	12

Power Rack LV2

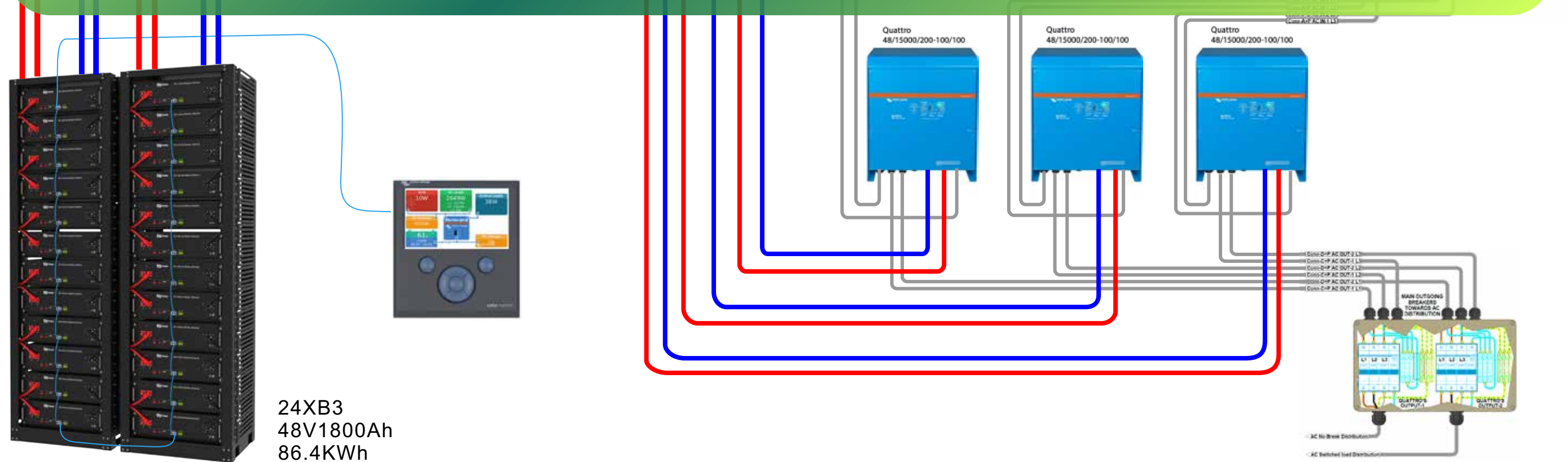
Single / Three Phase

DC Bus box Optional

Max. 144kWh per system

Wide Compatibility

DC BUS BOX





SMART ENERGY
COUNCIL
SOLA. STORAGE. SMART ENERGY



Dyness
ENERGY STORAGE SYSTEM

Start
Using
Clean
Energy

Day
and
Night

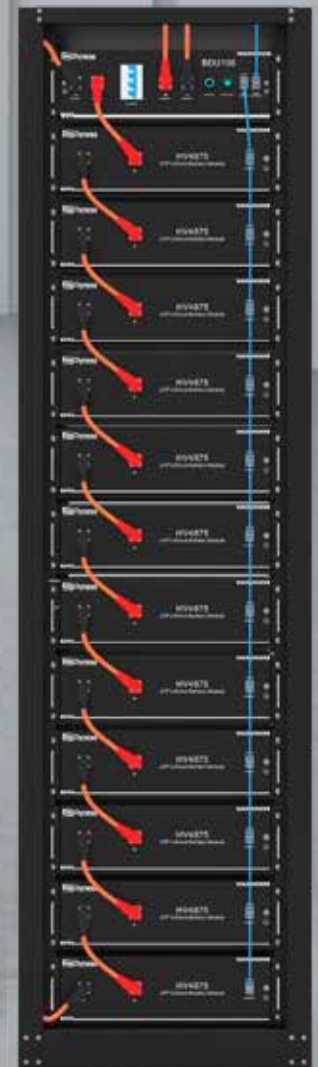
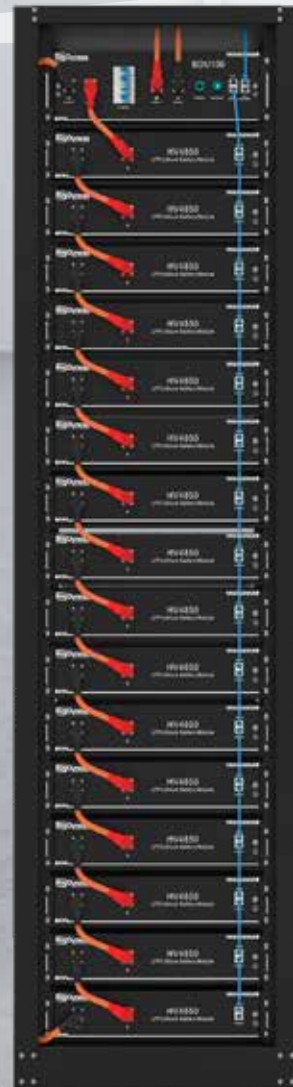
Professional Energy Solution Provider

FIT INTO ALL YOUR APPLICATIONS

D y n e s s R A C K s y s t e m



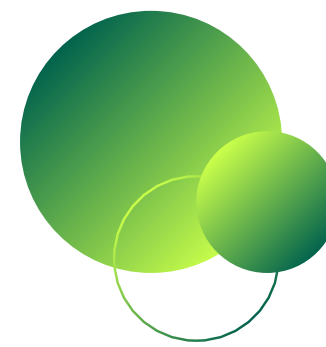
Dyness
ENERGY STORAGE SYSTEM





RACK HV · HV4850

Safe · Intelligent · Reliable



Item	PowerRack HV1-9.6	PowerRack HV1-12	PowerRack HV1-14.4	PowerRack HV1-16.8	PowerRack HV1-19.2	PowerRack HV1-21.6	PowerRack HV1-24	PowerRack HV1-26.4	PowerRack HV1-28.8	PowerRack HV1-31.2	PowerRack HV1-33.6	PowerRack HV1-36
Module Type	LFP	LFP	LFP	LFP	LFP	LFP	LFP	LFP	LFP	LFP	LFP	LFP
Total storing Energy(kWh)	9.6	12	14.4	16.8	19.2	21.6	24	26.4	28.8	31.2	33.6	36
Module configuration	4 series	5 series	6 series	7 series	8 series	9 series	10 series	11 series	12 series	13 series	14 series	15 series
Voltage Range[Vdc]	168-216	210-270	252-324	294-378	336-432	378-486	420-540	462-594	504-648	546-702	588-756	630-810
Battery System Voltage[Vdc]	192	240	288	336	384	432	480	528	576	624	672	720
Battery System Capacity[Ah]	50	50	50	50	50	50	50	50	50	50	50	50
Battery System Charge Voltage[Vdc]	216	270	324	378	432	486	540	594	648	702	756	810
Battery System Charge Current[A] (Standard)	10	10	10	10	10	10	10	10	10	10	10	10
Battery System Charge Current[A] (Normal)	25	25	25	25	25	25	25	25	25	25	25	25
Battery System Charge Current[A] (Max)	50	50	50	50	50	50	50	50	50	50	50	50
Battery System Discharge lower-Voltage[Vdc]	168	210	252	294	336	378	420	462	504	546	588	630
Battery System Discharge Current[A] (Standard)	10	10	10	10	10	10	10	10	10	10	10	10
Battery System Discharge Current[A](Normal)	25	25	25	25	25	25	25	25	25	25	25	25
Battery System Discharge Current[A](Max)	50	50	50	50	50	50	50	50	50	50	50	50
Battery System Max. Charge & Discharge Current[A] (when in communication)	30	30	30	30	30	30	30	30	30	30	30	30
Discharge condition[°C]	0-55	0-55	0-55	0-55	0-55	0-55	0-55	0-55	0-55	0-55	0-55	0-55
Charge condition[°C]	0-55	0-55	0-55	0-55	0-55	0-55	0-55	0-55	0-55	0-55	0-55	0-55
Max. Discharge Power [kW]	9.6	12	14.4	16.8	19.2	21.6	24	26.4	28.8	31.2	33.6	36
Max. Charge & Discharge Power[kW] (when in communication)	9.6	12	14.4	16.8	19.2	21.6	24	26.4	28.8	31.2	33.6	36
Enclosure Protection (IP)	IP 20	IP 20	IP 20	IP 20	IP 20	IP 20	IP 20	IP 20	IP 20	IP 20	IP 20	IP 20
Size [mm]	601*510*1290	601*510*1290	601*510*1290	601*510*1290	601*510*1290	601*510*1290	601*510*1957	601*510*1957	601*510*1957	601*510*1957	601*510*1957	601*510*1957
Weight [kg]	165	187	209	231	253	275	345	367	389	411	433	455
Battery Module Name	HV4850	HV4850	HV4850	HV4850	HV4850	HV4850	HV4850	HV4850	HV4850	HV4850	HV4850	HV4850
Battery Module Quantity(pcs)	4	5	6	7	8	9	10	11	12	13	14	15

RACK HV · HV4875



Power Rack HV2



Item	PowerRack HV2-14.4	PowerRack HV2-18	PowerRack HV2-21.6	PowerRack HV2-25.2	PowerRack HV2-28.8	PowerRack HV2-32.4	PowerRack HV2-36	PowerRack HV2-39.6
Module Type	LFP	LFP	LFP	LFP	LFP	LFP	LFP	LFP
Total storing Energy(kWh)	14.4	18	21.6	25.2	28.8	32.4	36	39.6
Module configuration	4 series	5 series	6 series	7 series	8 series	9 series	10 series	11 series
Voltage Range[Vdc]	168-216	210-270	252-324	294-378	336-432	378-486	420-540	462-594
Battery System Voltage[Vdc]	192	240	288	336	384	432	480	528
Battery System Capacity[Ah]	75	75	75	75	75	75	75	75
Battery System Charge Voltage[Vdc]	216	270	324	378	432	486	540	594
Battery System Charge Current[A] (Standard)	15	15	15	15	15	15	15	15
Battery System Charge Current[A] (Normal)	37.5	37.5	37.5	37.5	37.5	37.5	37.5	37.5
Battery System Charge Current[A] (Max)	75	75	75	75	75	75	75	75
Battery System Discharge lower-Voltage[Vdc]	168	210	252	294	336	378	420	462
Battery System Discharge Current[A] (Standard)	15	15	15	15	15	15	15	15
Battery System Discharge Current[A] (Normal)	37.5	37.5	37.5	37.5	37.5	37.5	37.5	37.5
Battery System Discharge Current[A] (Max)	75	75	75	75	75	75	75	75
Battery System Max. Charge & Discharge Current[A] (when in communication)	45	45	45	45	45	45	45	45
Discharge condition[°C]	0-55	0-55	0-55	0-55	0-55	0-55	0-55	0-55
Charge condition[°C]	0-55	0-55	0-55	0-55	0-55	0-55	0-55	0-55
Max. Discharge Power [kW]	14.4	18	21.6	25.2	28.8	32.4	36	39.6
Max. Charge & Discharge Power [kW] (when in communication)	14.4	18	21.6	25.2	28.8	32.4	36	39.6
Enclosure Protection (IP)	IP 20	IP 20	IP 20	IP 20	IP 20	IP 20	IP 20	IP 20
Size [mm]	601*510*1393	601*510*1393	601*510*1393	601*510*1393	601*510*2013	601*510*2013	601*510*2013	601*510*2013
Weight [kg]	200	232	264	296	350	382	414	446
Battery Module Name	HV4875	HV4875	HV4875	HV4875	HV4875	HV4875	HV4875	HV4875
Battery Module Quantity(pcs)	4	5	6	7	8	9	10	11

Store Energy Save the Planet