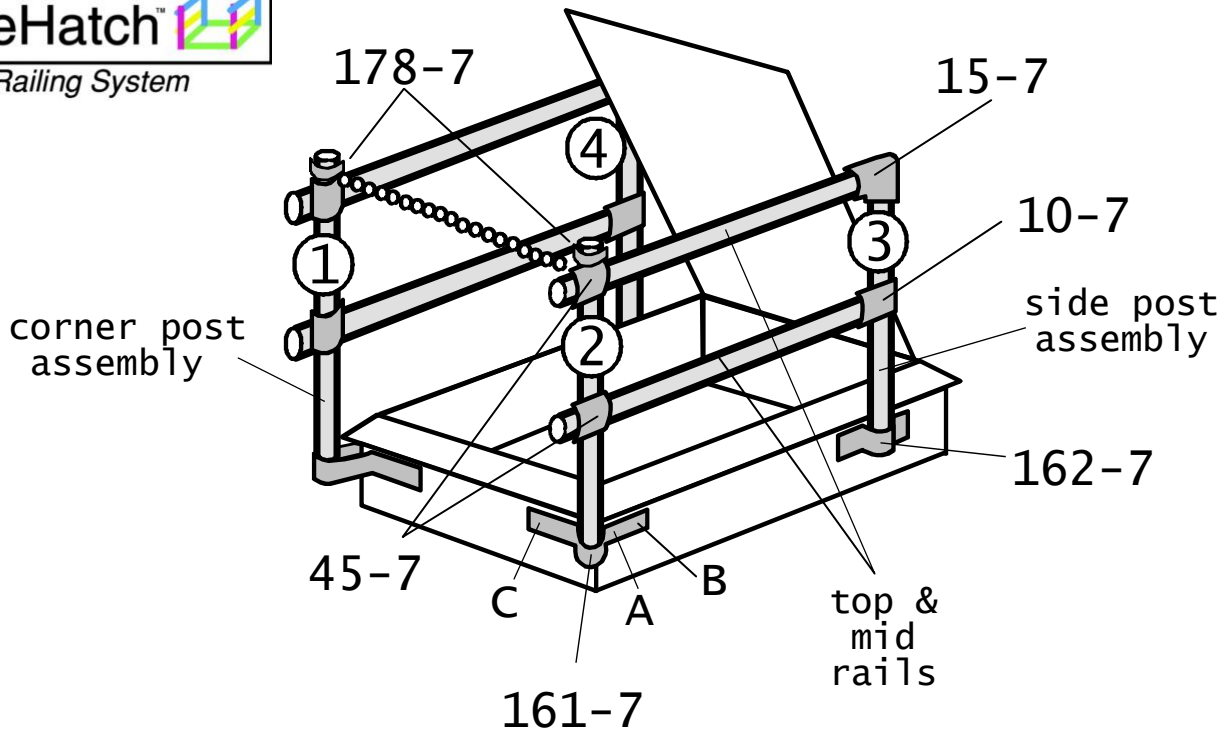




Railing System



Package Contents Model RHSR-SS 3630

#Q	<u>Kee Klamp® fittings</u>	#Q	<u>Pipe</u>	<u>Size</u>	#Q	<u>Item</u>	<u>Size</u>
2	10-7	2	Posts	42 ³ / ₄ "	1	3/16" Chain & "S" Hook 3/16"	39"
2	15-7	2	Posts	40 1/8"	12	3/8" x 2 1/2" Bolts	
4	45-7	4	Rails	36"	12	3/8" x 1 1/4" Bolts	
6	77-7				12	Nuts	
2	178-7				12	Fender washers	
2	161-7				12	SAE flat washers	
2	162-7				1	Product Label	
					1	Warranty Card	

Tools Needed Using RailingReady® Roof Hatches

2 wrenches to tighten nuts
torque wrench
level
hacksaw or sawzall to cut off bolts and excess pipe
5/16" hex key to tighten Kee Klamp® set screws
exterior caulk and gun (roofing mfg. approved)
bolt cutter to remove excess chain

Tools Using Non-RailingReady® Roof Hatches

2 wrenches to tighten nuts
torque wrench
marking device
level
drill or drill with 3/8" drill bit
eye protection
hacksaw or sawzall to cut off bolts and excess pipe
file or grinder to remove burrs from bolt ends
5/16" hex key to tighten Kee Klamp® set screws
exterior caulk and gun (roofing mfg. approved)
bolt cutter to remove excess chain