

QUALITY LADDERS MADE IN THE USA SINCE 1925

FL-223
1/23

Cotterman®

FIXED STEEL LADDERS

STANDARD 'F' &
MODULAR 'M' SERIES



14 Rung
Standard
F14S



14 Rung
with Cage
F14SC



11 Rung
with Walk-Thru
F11W



11 Rung
with Walk-Thru
& Cage: **F11WC**



Cotterman®

Fixed Steel Ladders

SERIES "F" & SERIES "M"

COTTERMAN® FIXED STEEL LADDERS are designed for use where safe, solid vertical climbing access is required. Series F and Series M modular fixed steel ladders are available with and without walk-thru handrails at the top landing surface. All Cotterman® fixed ladders meet applicable OSHA and ANSI standards.

SERIES F FIXED LADDERS: Ladders are heavy duty welded assemblies

SERIES M MODULAR FIXED LADDERS: Ladders are heavy duty sub-assemblies, no section is greater than 7' in length.

CONSTRUCTION FEATURES:

- Side members are 1/4"x2"x2" steel angle. Climbing rungs are 3/4" corrugated steel round rungs space on 12" centers. Stand-off brackets are 7".

FIXED LADDER WITH WALK-THRU HANDRAILS: Ladders are designed for applications where safe landing access is required. They are welded assemblies for use in applications less than 50' in vertical height.

CONSTRUCTION FEATURES:

- Side members are 1/4"x2"x2" steel angle. 3/4" corrugated steel round climbing rungs on 12" centers. Stand-off mounting brackets are 7".
- Walk-thru handrails extend 42" above landing surface. Mounting brackets included.
- Welded.

FIXED LADDERS WITH SAFETY CAGES: Standard fixed steel ladders are combined with safety cage protection. Available in 10' through 49' sizes and ideal for hatch-way or side-step landing access.

CAGE FEATURES:

- Cages have flared bottom opening for easy entry.
- Left or right side step access cage designs are available at no charge.
- Cage begins 7' from bottom of ladder.

FIXED LADDER WITH WALK-THRU HANDRAILS AND SAFETY CAGES: Designed for safe landing access and available from 10' to 49'. Cages and walk-thru handrails extend 42" above landing surface.

CAGE FEATURES:

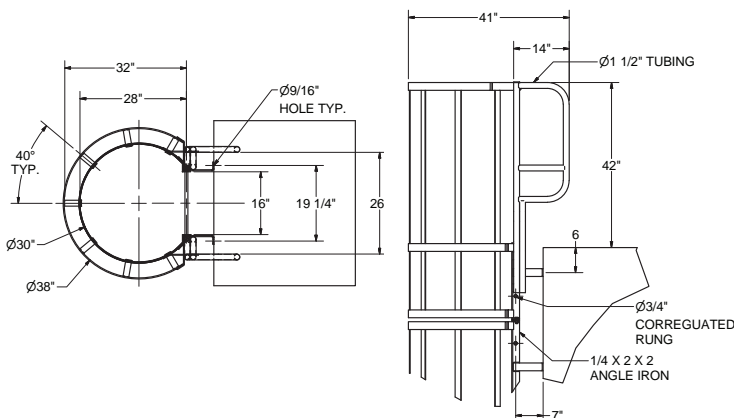
- Cages have flared bottom opening for easy entry.
- Cage begins 7' from bottom of ladder.

All: **gray powder coat finish, yellow also available.**

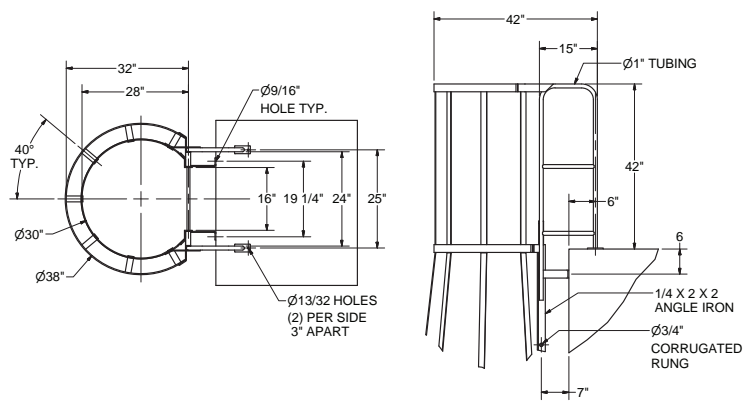
NOTE: Every new fixed ladder installation that extends more than 24 feet above a lower level must be equipped with a personal fall arrest system or a ladder safety system.



Series "M" modular fixed ladder construction



Series "F" construction features



SERIES "C"

Welded Steel Cages

COTTERMAN® SERIES "C" welded steel cages are one-piece welded assemblies designed for attachment to existing fixed ladders up to 20" wide. A wide range of standard lengths is offered with custom sizes available. To determine the proper length, the cage should begin 7' to 8' from the floor and extend 42" above the landing surface (except for roof hatches).

- Series "C" cages meet applicable OSHA and ANSI standards.
- Standard cage lengths are available from 7'6" to 27'6".
- Cages are crated for shipping protection.
- Wider bottom flare openings are provided for easy entry.
- One-piece all welded steel with gray powder coat finish.
- Hot dip galvanized finish or stainless steel construction can be quoted.



SERIES "C"

MODEL NUMBERS & MEASUREMENTS

LENGTH	MODEL NUMBER	SHIPPING WEIGHT LBS.
7'6"	C075	229
8'6"	C085	255
9'6"	C095	291
10'6"	C105	316
11'6"	C115	340
12'6"	C125	365
13'6"	C135	401
14'6"	C145	426
15'6"	C155	451
16'6"	C165	476
17'6"	C175	512
18'6"	C185	536
19'6"	C195	561
20'6"	C205	586
21'6"	C215	622
22'6"	C225	646
23'6"	C235	671
24'6"	C245	696
25'6"	C255	732
26'6"	C265	756
27'6"	C275	781

Welded Steel

BOLT-ON MODULAR SAFETY CAGES

Gray powder-coated paint finish Modular cages mount to the side rails of fixed ladders up to 20" wide. Top and middle sections have a 29" inside diameter; bottom section flares to a 34" inside diameter for easy entry. Include mounting hardware for flat or angle side rails.

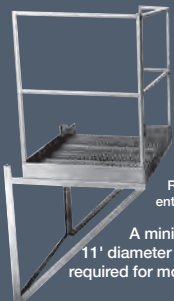
To determine proper length, the cage should begin 7 ft. to 8 ft. from the floor and extend 42" above the landing surface (except for roof hatches). 1 top or middle section and 1 bottom section is required for a complete assembly. Meet applicable OSHA and ANSI standards.



MODEL NUMBER	DESCRIPTION
2MS	2' mid section, bolt on
2BC	2' bottom section, bolt on
3MS	3' mid section, bolt on
3BC	3' bottom section, bolt on
4MC	4' mid section, bolt on
4BC	4' bottom section, bolt on
5WC	5' top section walk-thru, bolt on
7MC	7' mid section, bolt on

ACCESSORIES

Cotterman® fixed steel ladder accessories are designed to provide an additional measure of safety or security for any fixed steel ladder.

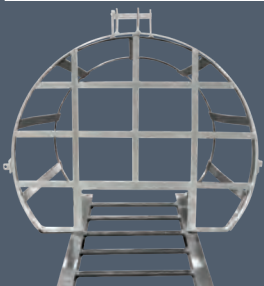


SP Standoff Landing Platform

Standoff landing platforms used with offset caged ladders. These rugged, pre-engineered platforms are constructed with left or right entries as required.

OPTION SP shipping weight 153 lbs.

Right Side entry shown
A minimum of 11" diameter surface required for mounting.



CG Security Cage Entry Gate

The cage security gate is designed to prevent unauthorized entry into the bottom of the ladder cage. Doors have lockable hasp.

OPTION CG shipping weight 31 lbs.



LG Security Ladder Guard

The ladder guard is mounted directly over the ladder climbing rungs to prevent unauthorized use. It is available in 6' length. The guard is furnished with lock-open and lock-closed hasps.

OPTION LG-6 shipping weight 130 lbs.

Fixed Ladders - SERIES F & SERIES M MODEL NUMBERS & MEASUREMENTS

	LENGTH-TOP TO BOTTOM RUNG	NO. RUNGS	STANDARD		WITH CAGE			OVERALL LENGTH	WALK THRU-RAIL			WITH WALK THRU & CAGE			OVERALL LENGTH
			SERIES "F" MODEL NUMBER	SHIPPING WEIGHT LBS.	SERIES "F" MODEL NUMBER	SERIES "M" MODEL NUMBER	SHIPPING WEIGHT LBS.		SERIES "F" MODEL NUMBER	SERIES "M" MODEL NUMBER	SHIPPING WEIGHT LBS.	SERIES "F" MODEL NUMBER	SERIES "M" MODEL NUMBER	SHIPPING WEIGHT LBS.	
1 SECTION	3'	4	F4S	35				3'3"	F4W	M4W	61				6'8"
	4'	5	F5S	43				4'3"	F5W	M5W	70				7'8"
	5'	6	F6S	52				5'3"	F6W	M6W	78				8'8"
	6'	7	F7S	60				6'3"	F7W	M7W	87				9'8"
	7'	8	F8S	66				7'3"	F8W	M8W	95	F8WC	-	167	10'8"
	8'	9	F9S	77				8'3"	F9W	M9W	104	F9WC	-	194	11'8"
2 SECTIONS	9'	10	F10S	88				9'3"	F10W	M10W	115	F10WC	-	211	12'8"
	10'	11	F11S	96	F11SC	M11SC	156	10'3" *	F11W	M11W	123	F11WC	M11WC	226	13'8"
	11'	12	F12S	105	F12SC	M12SC	182	11'3" *	F12W	M12W	132	F12WC	M12WC	242	14'8"
	12'	13	F13S	113	F13SC	M13SC	197	12'3" *	F13W	M13W	140	F13WC	M13WC	268	15'8"
	13'	14	F14S	122	F14SC	M14SC	213	13'3" *	F14W	M14W	148	F14WC	M14WC	284	16'8"
	14'	15	F15S	130	F15SC	M15SC	268	14'3" *	F15W	M15W	157	F15WC	M15WC	327	17'8"
3 SECTIONS	15'	16	F16S	139	F16SC	M16SC	282	15'3" *	F16W	M16W	165	F16WC	M16WC	353	18'8"
	16'	17	F17S	150	F17SC	M17SC	298	16'3" *	F17W	M17W	176	F17WC	M17WC	369	19'8"
	17'	18	F18S	158	F18SC	M18SC	316	17'3" *	F18W	M18W	185	F18WC	M18WC	384	20'8"
	18'	19	F19S	167	F19SC	M19SC	342	18'3" *	F19W	M19W	193	F19WC	M19WC	401	21'8"
	19'	20	F20S	175	F20SC	M20SC	357	19'3" *	F20W	M20W	202	F20WC	M20WC	428	22'8"
	20'	21	F21S	186	F21SC	M21SC	373	20'3" *	F21W	M21W	217	F21WC	M21WC	443	23'8"
4 SECTIONS	21'	22	F22S	199	F22SC	M22SC	388	21'3" *	F22W	M22W	225	F22WC	M22WC	458	24'8"
	22'	23	F23S	207	F23SC	M23SC	414	22'3" *	F23W	M23W	234	F23WC	M23WC	485	25'8"
	23'	24	F24S	215	F24SC	M24SC	429	23'3" *	F24W	M24W	242	F24WC	M24WC	500	26'8"
	24'	25	F25S	224	F25SC	M25SC	444	24'3" *	F25W	M25W	250	F25WC	M25WC	515	27'8"
	25'	26	F26S	232	F26SC	M26SC	471	25'3" *	F26W	M26W	265	F26WC	M26WC	571	28'8"
	26'	27	F27S	241	F27SC	M27SC	486	26'3" *	F27W	M27W	274	F27WC	M27WC	586	29'8"
5 SECTIONS	27'	28	F28S	249	F28SC	M28SC	501	27'3" *	F28W	M28W	282	F28WC	M28WC	601	30'8"
	28'	29	F29S	267	F29SC	M29SC	559	28'3" *	F29W	M29W	293	F29WC	M29WC	619	31'8"
	29'	30	F30S	275	F30SC	M30SC	575	29'3" *	F30W	M30W	302	F30WC	M30WC	634	32'8"
	30'	31	F31S	284	F31SC	M31SC	590	30'3" *	F31W	M31W	310	F31WC	M31WC	661	33'8"
	31'	32	F32S	292	F32SC	M32SC	605	31'3" *	F32W	M32W	319	F32WC	M32WC	677	34'8"
	32'	33	F33S	300	F33SC	M33SC	620	32'3" *	F33W	M33W	327	F33WC	M33WC	692	35'8"
6 SECTIONS	33'	34	F34S	309	F34SC	M34SC	635	33'3" *	F34W	M34W	336	F34WC	M34WC	707	36'8"
	34'	35	F35S	317	F35SC	M35SC	663	34'3" *	F35W	M35W	344	F35WC	M35WC	733	37'8"
	35'	36	F36S	326	F36SC	M36SC	689	35'3" *	F36W	M36W	359	F36WC	M36WC	789	38'8"
	36'	37	F37S	334	F37SC	M37SC	705	36'3" *	F37W	M37W	367	F37WC	M37WC	804	39'8"
	37'	38	F38S	343	F38SC	M38SC	720	37'3" *	F38W	M38W	376	F38WC	M38WC	819	40'8"
	38'	39	F39S	360	F39SC	M39SC	778	38'3" *	F39W	M39W	387	F39WC	M39WC	837	41'8"
7 SECTIONS	39'	40	F40S	369	F40SC	M40SC	793	39'3" *	F40W	M40W	395	F40WC	M40WC	853	42'8"
	40'	41	F41S	377	F41SC	M41SC	808	40'3" *	F41W	M41W	404	F41WC	M41WC	879	43'8"
	41'	42	F42S	386	F42SC	M42SC	824	41'3" *	F42W	M42W	412	F42WC	M42WC	894	44'8"
	42'	43	F43S	394	F43SC	M43SC	839	42'3" *	F43W	M43W	421	F43WC	M43WC	909	45'8"
	43'	44	F44S	402	F44SC	M44SC	854	43'3" *	F44W	M44W	429	F44WC	M44WC	924	46'8"
	44'	45	F45S	411	F45SC	M45SC	880	44'3" *	F45W	M45W	438	F45WC	M45WC	951	47'8"
8 SECTIONS	45'	46	F46S	419	F46SC	M46SC	907	45'3" *	F46W	M46W	452	F46WC	M46WC	1006	48'8"
	46'	47	F47S	428	F47SC	M47SC	922	46'3" *	F47W	M47W	461	F47WC	M47WC	1022	49'8"
	47'	48	F48S	436	F48SC	M48SC	937	47'3" *	F48W	M48W	470	F48WC	M48WC	1037	50'8"
	48'	49	F49S	454	F49SC	M49SC	995	48'3" *	F49W	M49W	480	F49WC	M49WC	1054	51'8"
	49'	50	F50S	462	F50SC	M50SC	1011	49'3" *	F50W	M50W	489	F50WC	M50WC	1070	52'8"

* Series MSC Ladders with cage are 4" longer.

Hot Dip Galvanized finish or Stainless Steel construction can be quoted.

Cotterman®

www.cotterman.com • info@cotterman.com

130 Seltzer Rd. • Crosswell, MI 48422
 1-800-552-3337 or 810-679-4400 Fax: 810-679-4510

© 2023 Material Control, Inc.

Safety Rail Source, LLC
 2570 Blvd. of the Generals Suite 200
 Norristown, PA 19403

Tel: (877) 723 3766

Fax: (610) 539 1630

www.safetyrailsources.com

Email: info@safetyrailsources.com