

User Manual

# SecuRail Pro vertical





# Table of content

1. Certification .....	3
2. Instructions for the user.....	4
2.1. Preliminary checks.....	4
2.2. Use of the anchor device Securail Pro Vertical .....	5
2.3. Inserting/Removing the GRANVIA4 trolley on the rigid fall arrest rail. ....	6
2.4. Instructions for the setting of the fall arrester .....	6
3. Warning.....	7
4. Prohibited use .....	7
5. Instructions for transport storage and resale.....	8
6. Instructions for resale.....	8
7. Operational life of the installation.....	8
8. Warning plate .....	9
9. Maintenance and inspection.....	11
10. Identification sheet.....	11



**Do not skip this user manual. Read the instruction manual carefully before using the equipment. If failed in doing so it may cause serious Injury or Death.**

## 1. Certification

<b>Standard</b>	EN353-1 :2014	
<b>Certificate Number</b>	0082/1084/160/09/17/0531	
<b>Certification Date</b>	2017-09-14	
<b>Notified body</b>	<b>Code</b>	0158
	<b>Adress</b>	APAVE SUDEUROPE SAS 8 rue Jean-Jacques Vernazza - Z.A.C. Saumaty-Séon - BP 193 3322 MARSEILLE CEDEX 16

The whole system is proved by competent engineer under ANSI 14.3 and OSHA1910.29 Subpart D.

## 2. Instructions for the user

### 2.1. Preliminary checks

The following checks are required before use of the Securail Pro Vertical.

- a. The user of the Securail Pro Vertical must have good physical shape and not be susceptible to vertigo.
- b. The user must have received adequate training to use:
  - have read recommendations to use the material associated with Securail Pro Vertical, harnesses and connectors,
  - rescue equipment in case of fall.
- c. The total weight of the user, including clothing and equipment must not exceed 310lbs
- d. At least two people are required to perform work at heights, one of two people is likely to help his colleague in case of incident.
- e. A rescue plan must be in place to evacuate the person who fell within 15 minutes. The rescue material must be easily accessible and be located in the vicinity from the line.
- f. No more than one user connected to the rail at the same time.
- g. The user must be equipped with:
  - ✓ A suitable harness with two anchoring points, one at the back and one at the chest, in conformity with the ANSI Z359.1 standard,
  - ✓ The chest anchor point is the point for anchoring the harness, the dorsal anchoring point being used for rescue operations.
  - ✓ A triple lock aluminum connector (supplied with the GRANVIA4) in accordance with ANSI Z359.12
- h. On arrival in the work area, or whenever the user attaches to the rail, he is required to check:
  - ✓ That the manufacturer's label is in place.
  - ✓ That the trolley, the harness and the lanyard are in good, working condition
  - ✓ The following checks shall be done
    - The latch on the entry exit section should operate freely and come back to the safe position.
    - The trolley anchor eye should turn easily
    - The energy absorber has not deployed, the length should be 10 cm max.
    - The axle of the rollers and the anchor eye should be locked
    - The twist lock karabiner should lock automatically
    - The trolley should move easily when rolling on the rail.
    - The trolley should grab the rail automatically in the downward direction.
- i. The system must be immediately put out of service if:
  - ✓ The user notes one or more anomalies to the points indicated above.
  - ✓ The trolley has stopped a fall
  - ✓ The energy absorber has been deployed and shows a length above 4".
- j. The fall arrest equipment shall be put out of service until a competent person has replaced the length of rail which has been deformed by stopping the fall and a new trolley is put in service.
- k. It is essential to check the free space between the user and an obstacle, at least three meters, measured under the feet of the user.
- l. From the ground up to two meters in height, the user is not protected against falls, it should take additional precautions when connecting and disconnecting the fall arrest system.

## 2.2. Use of the anchor device Securail Pro Vertical

- a. The trolley is attached to the harness by a carabiner which is directly connected to the sternal anchor point, without intermediate components.
- b. The Securail Pro Vertical is used exclusively with the fall arrest trolley GRANVIA 4
- c. Rotate the anchor ring up, and insert the trolley on the rail
- d. The trolley should roll smoothly when going up or down along the ladder.
- e. During the ascent, the user drives the trolley.
- f. During descent, the trolley slides freely under the effect of a slight pull that obtained by the natural position of the body.
- g. The mobility of the trolley is best when it ascends and descends with regularity.
- h. It is essential for safety that the device is always correctly positioned and that the work is done in such a way as to minimize the risk of falls and the height of the fall.
- i. The user will take care to be in a safe situation before detaching from the anchoring device.
- j. In case the user detects slack in the harness, he must stop any operation and tighten it from a secure position.

## 2.3. Inserting/Removing the GRANVIA4 trolley on the rigid fall arrest rail.

If the point of entry / exit of the line is a place where there is a risk of falling, the user must make sure to be safe by another protection system (anchor point or passive protection) before inserting or removing the fall arrester

- Insert trolley on the rail:
  - Press on the tilting plate and engage the trolley
  - Release the tilting plate and lock the mechanism
- Remove the trolley from the rail:
  - Press on the tilting plate and remove the trolley
  - Release the tilting plate and lock the mechanism

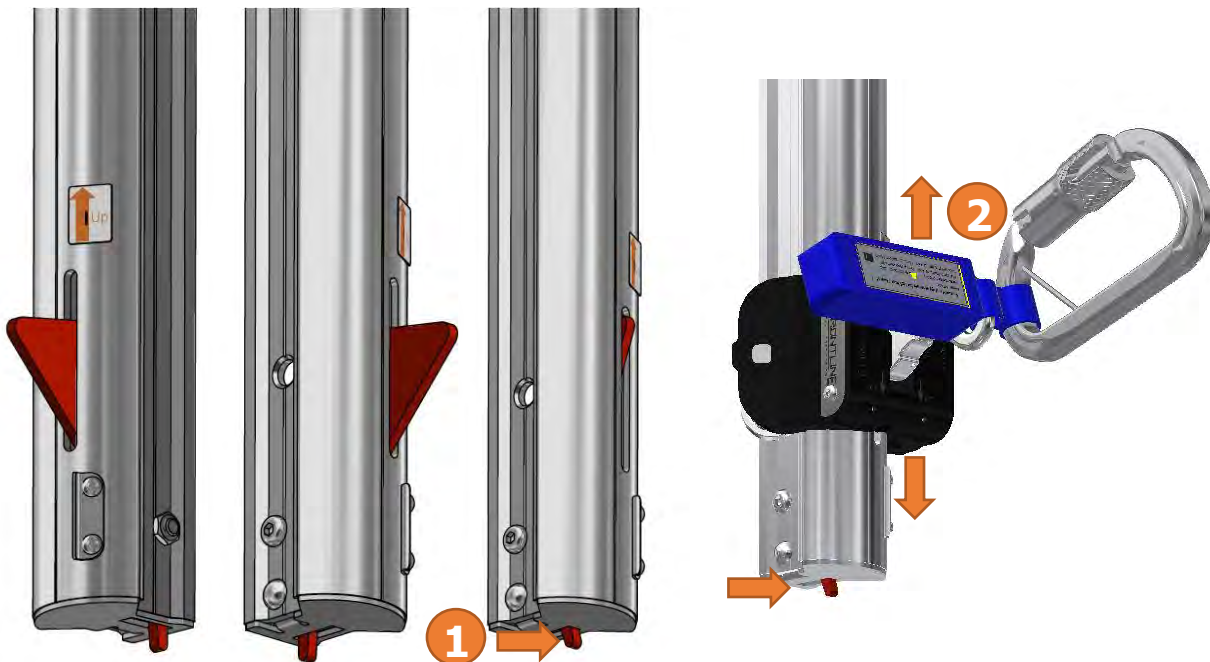


Fig. 1. Use of tilting end stop

## 2.4. Instructions for the setting of the fall arrester

The trolley is set to fit so that it can be inserted and run on the rail without excessive backlash. The adjustment screws used to obtain this backlash are covered with a blocking varnish preventing the alteration of their position. If vibrations or excessive functional backlash are observed, contact the distributor.



### 3. Warning

- The weight of the user including his clothes and tools must be comprised between 110 and 310 lbs.
- Consult with your doctor if there is reason to doubt your fitness to safely absorb the shock from a fall arrest, Age, fitness, and health conditions can seriously affect a worker's ability to withstand falls. Pregnant women and minors must not use any Fallprotec Fall Protection equipment.
- The Secuirail Pro + Granvia 4 system must not be used as a work positioning system, in which case a separate holding system must be used.
- Handling of the fall arrest system while climbing or descending may interfere with the braking mechanism. If necessary, handle the fall arrester by its connector, never take in hand the body of the fall arrester while in service.
- The user is not protected against the impact on the ground during the first 7'. Additional precautions must be taken when climbing or descending.
- In case of rescue the rail can be used to guide the descent to the ground of the person.
- Two persons can work simultaneously on the rigid rail. The distance between the two users, must be minimum 20'.



### 4. Prohibited use

- ⊘ Only one user working at height, but without the support of a second person able to provide assistance if needed.
- ⊘ The use of the lifeline if the temperature is below -22 F°.
- ⊘ Hazards that may affect the performance of the equipment are:
  - Deposit of ice, concrete or dust on the rail.
  - The insertion of a lanyard between the energy absorber permanently connected to the Granvia4 trolley and the harness. This increases the braking distance.
  - The insertion of a lanyard allowing the user to work completely offset relative to the rail. The user will be subjected to a swing fall which may be not stopped.
- ⊘ The energy absorber has been deployed and is longer than 4".
- ⊘ In case of a storm or other dangerous climatic conditions.
- ⊘ It is strictly prohibited to use the Secuirail Pro vertical lifeline outside the limits specified in this document or outside any other situation for which it is designed.
- ⊘ The Granvia4 trolley works exclusively with the Secuirail Pro supplied by Fallprotec.
- ⊘ It is strictly prohibited to use another energy absorber as the one originally fixed on the trolley.
- ⊘ The use of an additional safety device used in conjunction with the anchoring device Secuirail Pro may lead to unsafe situation.
- ⊘ It is forbidden to use the rail as a grounding of a welding machine.

## 5. Instructions for transport storage and resale

- The original packing is used for the transport of the fall arrest trolley.
- The trolley must be stored in a place away from light and moisture.
- The fall arrest trolley and the Securail Pro must stay clean:
  - Use a clean cloth and a special cleaner for aluminum and stainless steel.
  - The energy absorber of the fall arrest trolley can be cleaned with soapy water and dried in the open air away from the sun.
  - The use of chemicals, corrosives and solvents can be dangerous.
- If the equipment may be in contact with corrosive chemicals, consult us and provide the exact names of the chemical components involved.

## 6. Instructions for resale

If the equipment is sold outside the country of origin, the dealer will provide the user instructions, the maintenance instructions for periodic examinations as well as the instructions for repair in the language of the region where the PPE is used.

## 7. Operational life of the installation

- All the components of the Securail Pro Vertical are manufactured from stainless steel and anodized aluminium, which have a great resistance to atmospheric degradation.
- The Granvia4 trolley is fitted with a textile energy absorber that has a lifespan of 10 years. After 10 years the trolley is returned to Fallprotec for renewal of the energy absorber.



## 8. Warning plate

An identification plate is installed near to the zone where the users attach themselves to the line. Our web portal Fallprotec Assistant generates the plate. It can be printed on a sticker provided by Fallprotec (climate proof). The commissioning date must be on the warning plate.



- 1 Manufacturer informations and a QR code to get direct access to all the informations related to the installation
- 2 Equipment type and applied standards.
- 3 Logo and installer name
- 4 Symbol indicating that it is mandatory to use a fallarrest harness according to EN355/ANSI Z359.13
- 5 Maximal number of users and their weights
- 6 Information about the installation place.
- 7 Commissioning date
- 8 It is mandatory to read the user manual before use.
- 9 The serial number of the self-locking tag



The sticker will be fixed on a bendable plate. A self-locking Tag with a serial number has to be fixed on the plate

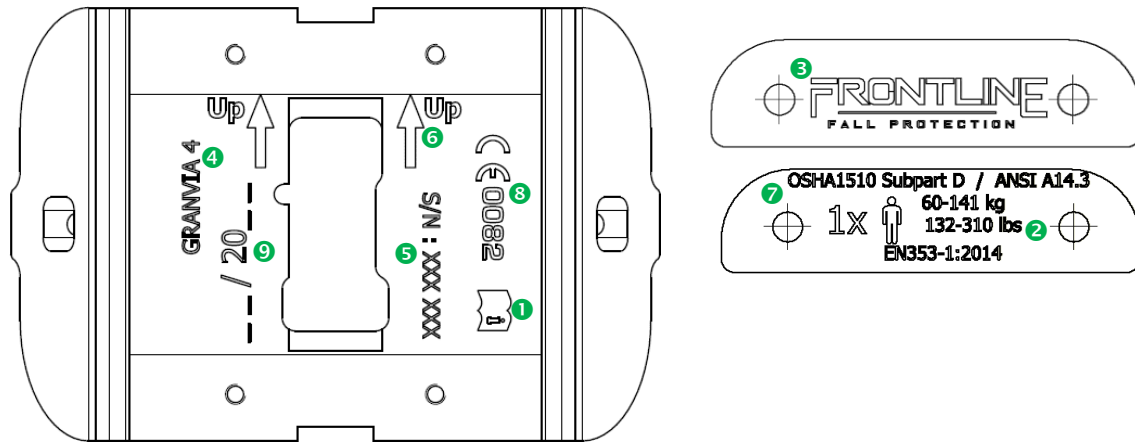


Fig. 2. Marking of the GRANVIA 4 trolley

The trolley is marked as follow : (Laser engraving)

- ① An icon indicating that it is necessary to read this leaflet before use
- ② An inscription recalling the load limitations
- ③ Name of the manufacturer : Fallprotec
- ④ Model: GRANVIA 4
- ⑤ A badge with the serial number (6 digits).
- ⑥ Up arrow for correct orientation during use.
- ⑦ The standard number and the date of application of the standard: EN353-1: 2014 , OSHA1910.29 Subpart D and ANSI A14.3
- ⑧ The CE marking (5mm) followed by the number of the notified body involved in monitoring the manufacturing.
- ⑨ The date of manufacture (month / year)



## 9. Maintenance and inspection

Regular periodic inspections are mandatory following the below recommendations. The safety of the user is related to the preservation of the efficiency and resistance of the equipment. The inspection must be traceable and verifiable on site by a durable marking with date.

- The installation must be visually and operationally inspected annually by a competent person (who by reason of his training and professional experience is in possession of sufficient knowledge in the field of safety and evacuation devices, as well as applicable rules and guidelines to be able to assess the conditions of safety at work and the use of safety and evacuation devices).
- More frequent inspections may be scheduled depending on the intensity of use and the environmental conditions of the system.
- The installation is inspected by a competent person after the equipment has stopped a fall.
- Check that the marking engraved on the fall arrest is legible.
- Check that the backlash of the trolley is acceptable.
- The fall arrest trolley and the rail are cleaned with products compatible with aluminium and stainless steel.
- The energy absorber of the fall arrest is cleaned with soapy water and dried in the open air away from the sun. The protective sleeve can be replaced by Fallprotec if required.
- Any modification of the equipment or any addition to the equipment cannot be done without the prior written consent of Fallprotec.

*NOTE: If the equipment is packed and sealed for intended use in emergency situations, then the verification and inspection might not be doable. Granvia4 trolley can remain sealed for 5 years maximum.*

## 10. Identification sheet

An identification sheet must accompany the product during the duration of its use.



## Identification sheet GRANVIA 4 on Securail Pro

Manufacturer:

Fallprotec

Equipment identification:

Date of manufacture :

Date of installation :

Date of first use :

Frequency of inspection: 1 per year

Expected lifespan : 10 years.

Date of 1st examination	Type of examination and repairs	Name and signature of person carrying examination	Date of next exam
After 1 year of use	<p><b>Rail</b> Clean the rail, remove deposits that could hinder the free flow of fall arrest.</p> <p><b>Anti fall</b> Lubrication of the axis of rotation of the locking cam with a spray; the anchor ring must rotate freely. Lubrication of the flanks of the locking cam. Checking the fall arrest on the rail, the fall arrester must automatically lock on the rail under the action of the spring.</p>		Frequency : one a year
Dates	Noticeable defects - relevant information	Name and signature	Dates of next exam

**NOTE :** It is the responsibility of the user's organization to provide the identification form and to enter all required details