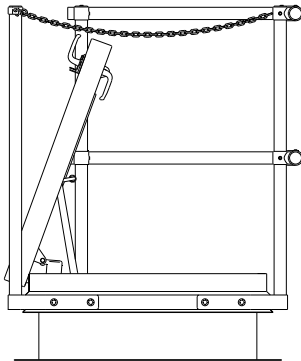
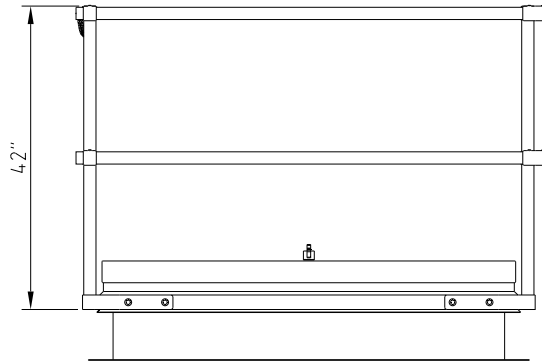


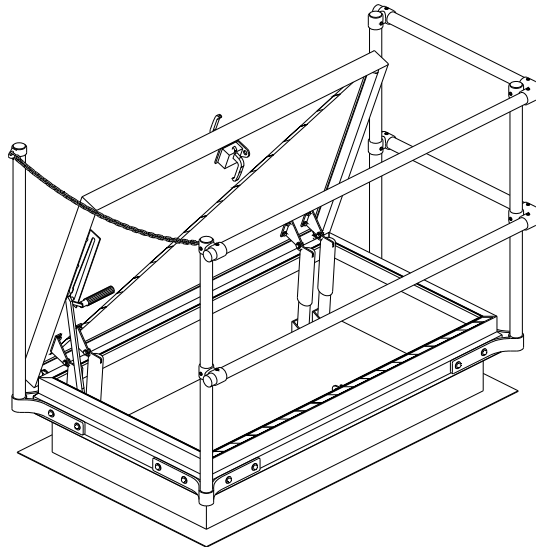
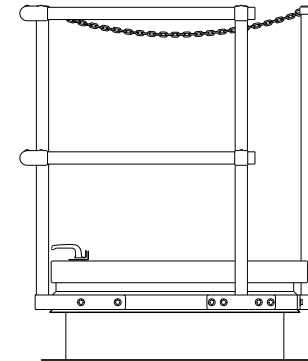
Right Side View



Frontal View



Left Side View



Materials:

Pipe: 1 1/4" ID A53 Grade B seamed steel.

Finish: Galvanized (hot dipped).

Chain system: 3/16" proof coil ASTM specification, zinc plated with quick link and "S" hook.

Self closing gate (optional to chain): Manufacturer's standard spring or gravity operated.

Pipe plugs: Weather and light resistant for pipe ends.

Bolts: Hex head bolts 3/8", grade Z, zinc plated with manufacturer's standard washers inside and outside.

Railing fittings: Manufacturer's standard cast fittings, galvanized.

Sealant for brackets: Manufacturer's standard.

Roof Hatch

Roof hatch shall be of the Railing Ready® design with pre-drilled holes on cap flashing of hatch for mounting KeeHatch Railing System brackets. Roof hatch curb flashing shall not be penetrated.

Drawn By NCDS	Checked by DRA	Approved by - date DRA - 08-21-02	Filename RHSR-FB 3054	Date 08-21-02	Scale NTS
KeeHatch® Railing Systems By The Safety Rail Source Harleysville, PA 19438-0123 (877) 723-3766 toll free (215) 256-7956 fax www.thesafetyrailsources.com			KeeHatch® Railing System		
			RHSR-FB 3054	Edition A	Sheet 1/1