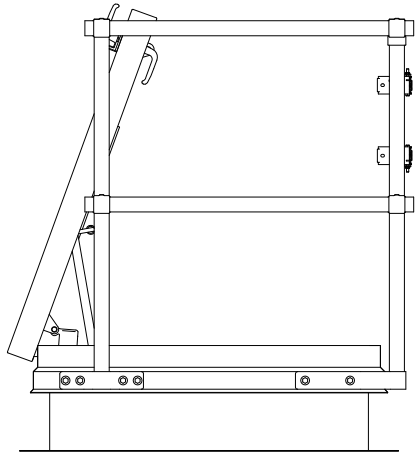
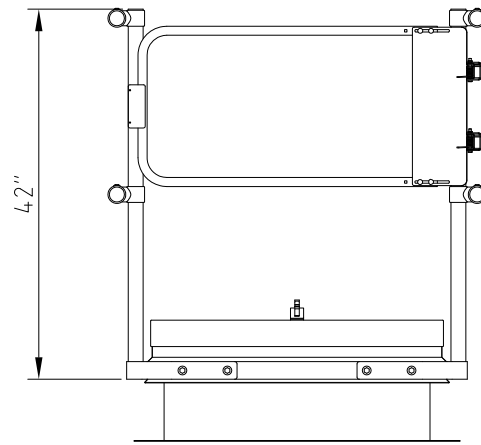


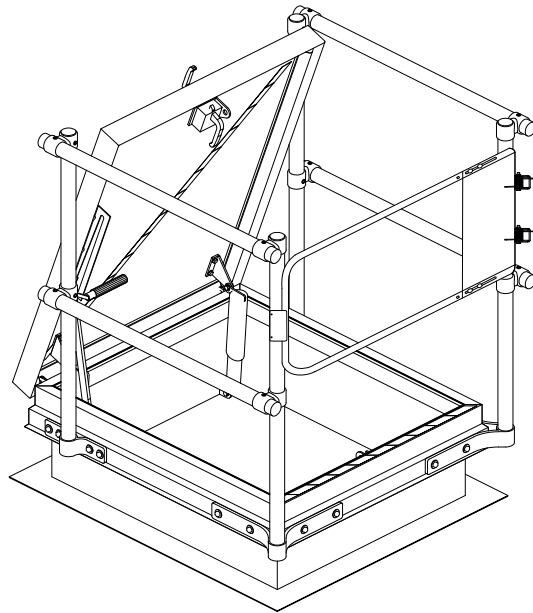
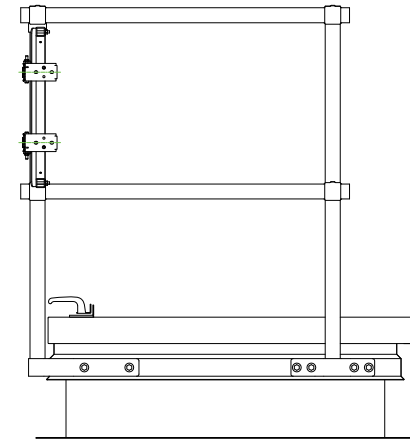
Right Side View



Frontal View



Left Side View



Materials:

Pipe: 1 1/4" ID A53 Grade B seamed steel.

Finish: Galvanized (hot dipped).

Chain system: 3/16" proof coil ASTM specification, zinc plated with quick link and "S" hook.

Self closing gate (optional to chain): Manufacturer's standard spring or gravity operated.

Pipe plugs: Weather and light resistant for pipe ends.

Bolts: Hex head bolts 3/8", grade Z, zinc plated with manufacturer's standard washers inside and outside.

Railing fittings: Manufacturer's standard cast fittings, galvanized.

Sealant for brackets: Manufacturer's standard.

Roof Hatch

Roof hatch shall be of the Railing Ready® design with pre-drilled holes on cap flashing of hatch for mounting KeeHatch Railing System brackets. Roof hatch curb flashing shall not be penetrated.

Drawn By DMS	Checked by DMS	Approved by - date 10-28-09	Filename RHSR-SS_3630	Date 10-28-09	Scale NTS
KeeHatch® Railing System Kee Safety, Inc. Buffalo NY 14206 (800) 851-5181 Toll Free (716) 896-5696 Fax www.KeeSafety.com			KeeHatch® Railing System		
RHSR-SS_3630-GATE				Edition 1	Sheet 1