



# Safety Rail Source®

## NEXTGEN POST-TYPE ROOF ANCHOR™

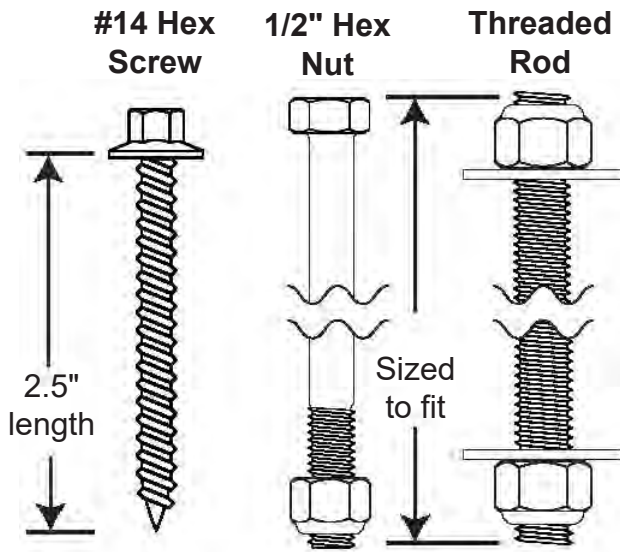
### CUT SHEET

The Post-Type Roof Anchor is designed for a single user in fall arrest or two users in fall restraint on a low slope roof application (4/12 pitch or less). Standard post height is 12" or 18". We offer posts welded to mounting plates and posts that are field welded to the surface or beam by the installing contractor. The tie off point at the top of the post can be either a welded ring or a swivel connection.

Up to two workers may tie off to a horizontal lifeline that is connected to our CRA's (Commercial Roof Anchors). A horizontal lifeline may be used with our CRA's when designed by a qualified person.

NextGen Post Type Roof Anchors™ Meet or Exceed: OSHA 1926 Subpart M, OSHA 1910, ANSI Z359.1-2007, ANSI A10.32-2012

### Fastener Specifications



- Anchors include (40) #14 x 2.5" type A milled point screws for METAL and WOOD applications.
- Anchors for CONCRETE applications are not included.
- Use only TieDown supplied or specified fastener types as shown on left.
- Do not substitute with other types unless they have been engineered by a qualified person.

### Sizes To Accommodate Every need

Comes in 5 Different riser sizes plus Swivel Cap option in 12" or 18".

Standard sizes are as follows:

- 8"
- 12"
- 18"
- 24"
- 36"



Made in USA

Safety Rail Source®

2570 Blvd of the Generals, Ste.200

Norristown, PA 19403

(877) 723-3766

[www.SafetyRailSource.com](http://www.SafetyRailSource.com)