



Safety Rail Source®

NEXTGEN 3000™ UNIVERSAL GUARDRAIL

INSTALLATION INSTRUCTIONS

Use these instructions as part of a training program as required by OSHA and any applicable state agency. The user must understand how to safely use the NextGen 3000 Universal Guardrail system and all safety equipment used in combination with the System.

A competent person who is highly trained and experienced, assigned by the employer, must be responsible for all elements of a fall safety program, including the regulation, management, and application as it relates to the use of the NextGen 3000 Universal Guardrail system.

Safety Information

Serious injury, bodily harm or death may result if there is a failure to understand and comply with safety regulations. These instructions are not all-inclusive and are for reference only and not intended to replace a competent person, knowledge or judgment of Federal and State Standards. A new OSHA Rule is in affect: Walking-Working Surfaces, 1910.28, please consult this as well as all local, State and Federal OSHA rules.

Workplace conditions including, but not limited to weather conditions, corrosive chemicals, potential electrical hazards, sharp objects, and slope of the surface must be evaluated by a competent person before equipment is selected and before work begins. DO NOT misuse equipment. DO NOT alter equipment. Unprotected leading edges and sides that are 6 feet or more above the next lowest level require the use of these guardrails, safety nets or personal fall protection devices. Never lean or climb on a NextGen 3000 Universal Guardrail.

Inspection of the NextGen 3000 Universal Guardrail must take place routinely at intervals not to exceed 6 months. A competent person other than the end user must be responsible for the inspection of the guardrail system. All inspection must be recorded by a competent person who must sign their initials and date (month/year) in the appropriate box on the inspection grid decal for the month and year the inspection was conducted.

Prior to installation of the NextGen 3000 Universal Guardrail System, a competent person must develop a system layout plan.

1. Evaluate the roof surface to confirm that the guardrail system will not be installed on top of gravel or slippery surfaces.
2. Measure the work surface area to be protected and space the Universal Base accordingly (10 ft. centers for long runs, 7-1/2' and or 5 ft. centers where required).
3. All bases must be located a minimum distance of 18 in. from a "no curb"/parapet leading edge, or openings. If the work location has a curb or parapet edge, the Base Plate can be placed perpendicular against the rise of the structure.
4. Always be aware of electrical hazards (ELECTRICITY KILLS). A minimum safe distance of 10 ft. away from power lines and other electrical hazards must be maintained at all times.
5. Base Plates must be oriented correctly with the Guardrails installed perpendicular. Toe boards are installed parallel to the guardrails. Safety hitch pins must be inserted through all Base Plates and Guardrails.



Made in USA

Safety Rail Source®
2570 Blvd of the Generals, Ste.200
Norristown, PA 19403
(877) 723-3766
www.SafetyRailSource.com



Safety Rail Source®

NEXTGEN 3000™ UNIVERSAL GUARDRAIL

INSTALLATION INSTRUCTIONS

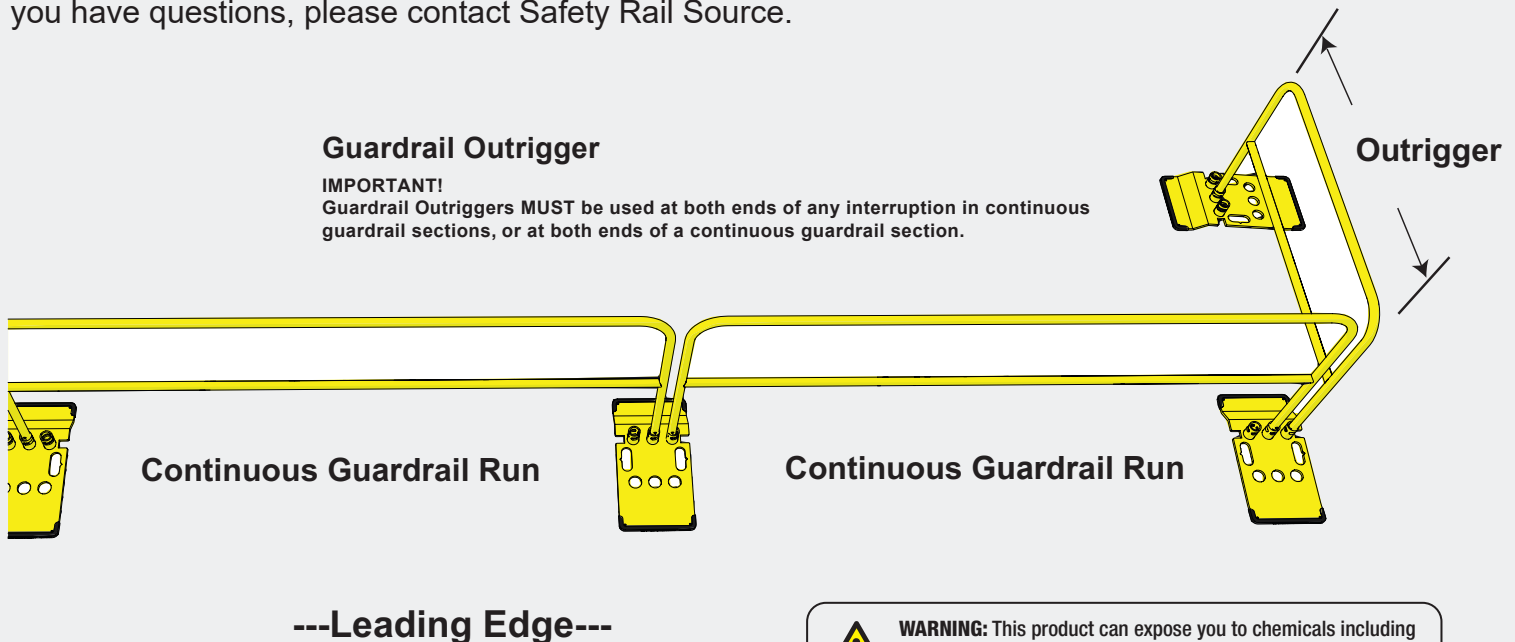
6. The NextGen 3000 Guardrail system must be installed in a continuous run, and must completely block all leading edges of potential fall hazards. Do not attempt to relocate a fully assembled system.
7. Guardrail Outriggers **MUST** be used at both ends of any interruption in continuous guardrail sections, or at both ends of a continuous railing section.
8. A Guardrail Outrigger is installed perpendicular to a continuous guardrail run. **IMPORTANT:** Bases must be perpendicular to the orientation of the guardrails. The base can be orientated with long or short edge pointed to the roof's leading edge. To minimize trip hazards, install short end of base away from leading edge.

Assembly and Use

1. Place all NextGen 3000 Bases around the leading edge of the fall hazard area. Space the Bases at approximate lengths of the corresponding length of guardrail (10', 7.5' and 5').
2. When assembling the rails into the Bases, position the rails between the fall hazard and the installers work area. Position one leg of each rail into the outermost rail Base retaining tube. Maintaining the rail positions between the installers body and the fall hazard edge, position the tube into the adjacent Base retaining tube.
3. Once each rail tube has been inserted into the retaining tubes, install the retaining pins.
4. Install toe-boards if and whenever required.

Use on Low Sloped Roofs

The NextGen 3000 Universal Guardrail can be used on a low sloped roof up to a 2/12 pitch. When the Guardrail is installed on a roof with a low slope of 2/12, an additional 5 ft. rail and guardrail base, outrigger, must be placed every 20 ft. Follow all other installation instructions of the Guardrail System. If you have questions, please contact Safety Rail Source.



WARNING: This product can expose you to chemicals including Nickel, which is known to the State of California to cause cancer. For more information go to: www.P65Warnings.ca.gov



Made in USA

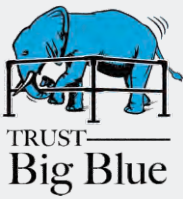
Safety Rail Source®

2570 Blvd of the Generals, Ste.200

Norristown, PA 19403

(877) 723-3766

www.SafetyRailSource.com



Safety Rail Source®

NEXTGEN 3000™ UNIVERSAL GUARDRAIL

INSTALLATION INSTRUCTIONS

Toe Boards

NextGen 3000 Universal Base

Use toe board slots on both sides of the NextGen 3000 Universal Base toe board insertion. Use only 2"x 4"s for toe boards when required. Toe boards must not exceed 1/4" clearance above the roof's surface.

10 ft. Permanent Toe Board Assembly

1. Slide the Left/Right Toe Board over the outside of the NextGen 3000 Universal Base guardrail holder and repeat for the opposite side guardrail. See right illustration.
2. Install the 10 ft guardrail into the Base and secure with safety hitch pins.
3. Align the center toe board so that it will extend between the left and right toe boards.
4. Place two nuts per side (4 per section) through the center and left/right toe boards. Fasten with flange nuts.

7.5 ft. and 5 ft. Permanent Toe Board Assembly

1. Slide the Left/Right Toe Board over the outside of the NextGen 3000 Universal Base guardrail holder and repeat for the opposite side guardrail.
2. Install the 7.5/5 ft. guardrail into the Base and secure with safety hitch pins.
3. Align two nuts through the left/right toe boards. Fasten with flange nuts.

Permanent Corner Toe Board Assembly

1. Slide the Left or Right Corner Toe Board over the outside of the NextGen 3000 Universal Base rail holder. Toe Boards must be at a 90° angle to the Bases. Only one corner bracket is needed for each corner.
2. Install rail into the Base and secure with safety hitch pins.
3. Complete assembly by following instructions above for 10, 7.5 or 5 feet rails.



Made in USA

Safety Rail Source®

2570 Blvd of the Generals, Ste.200

Norristown, PA 19403

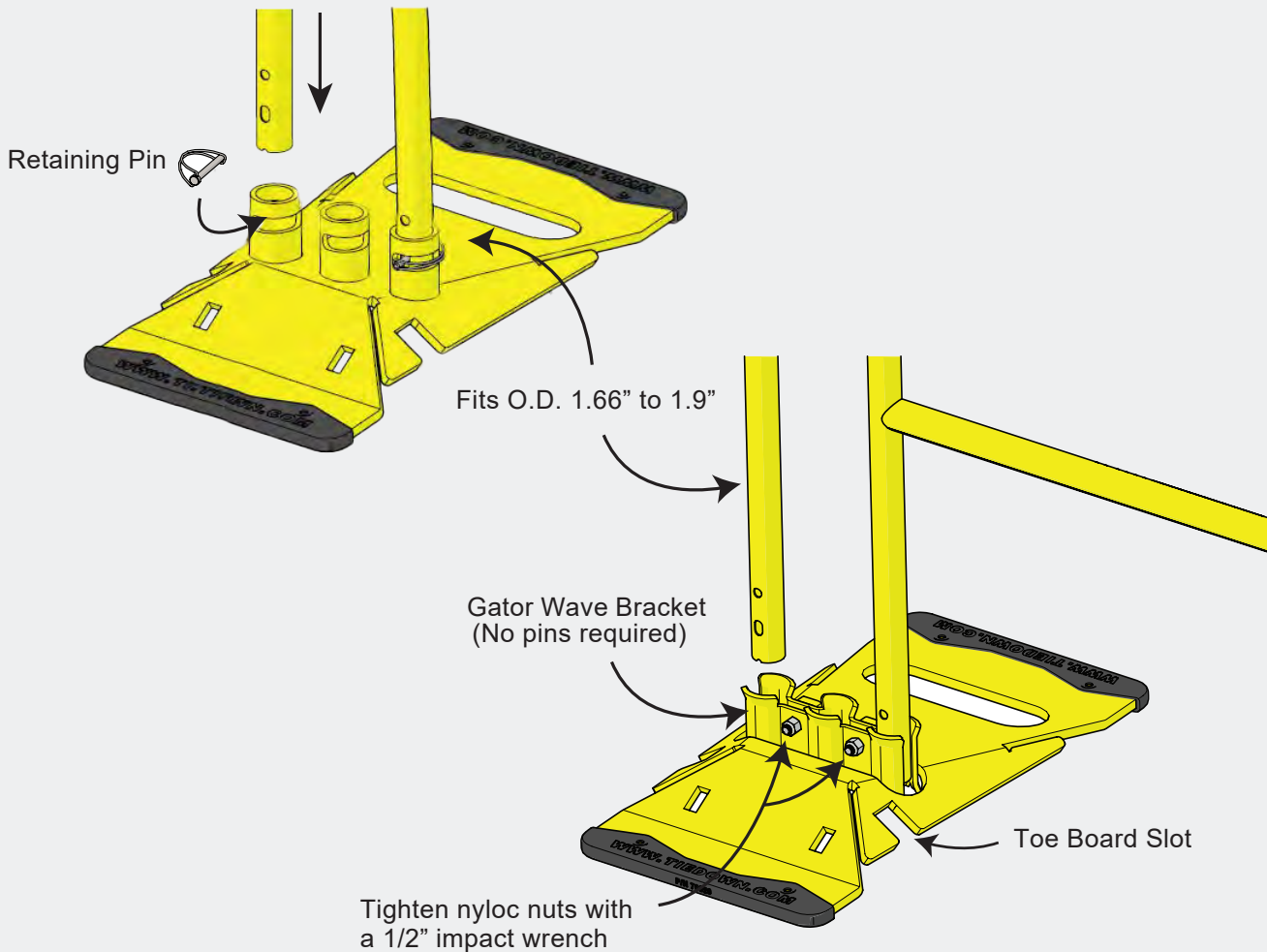
(877) 723-3766

www.SafetyRailSource.com

INSTALLATION INSTRUCTIONS

Standard Base Installation

Once each guardrail tube has been inserted into the base receptacle, install the retaining pins.



Universal Base Installation

Slide guardrails into the outermost positions on the Base plate. Using a impact wrench & 1/2" socket, tighten the nyloc nuts on the wave bracket.



Made in USA