



Safety Rail Source®

NEXTGEN 3000™ UNIVERSAL GUARDRAIL

CUT SHEET

The NextGen 3000™ Universal Guardrail System is designed for providing fall protection for workers near the roof edge or for any usage of leading edge work. These activities are to be performed on flat, level roofs only with a maximum pitch of 1 in. per foot (1/12) or with additional 5 ft. outriggers every 20 ft. Universal Guardrails may be used up to a 2/12 pitch per OSHA 1926 Subpart M.

Typical Usage:

Guardrail systems can be used for roofs and unprotected edges such as an concrete slab excavation barricades. Identifying the most common safety hazards and providing safety training to workers is imperative to ensure a safe workplace.

OSHA Compliance:

New OSHA Rule in affect: Walking-Working Surfaces, 1910.28. Please consult this as well as all local, State and Federal OSHA rules.

Features:

- Patented
- Stack And Nest Easily
- Multi-Directional
- Low Shipment Cost
- Fits Easily Between Standing Seams
- Galvanized Finish Available
- No Drilling Or Tools Required
- Permanent Or Temporary Applications
- EPDM Rubber Pads For Roof Surface Protection
- Tested To Category 5 Hurricane Wind Forces
- Meets OSHA 1926.502, 1910 Subpart D
- Product Weight: 55 Lbs.
- Lightest Base Plate At 58 Lbs.
- Quick Installation
- Safe Hand Grips For Handling
- TS22 Coated

Guardrail System 10 ft. Stack Pallet Part ID: 70762

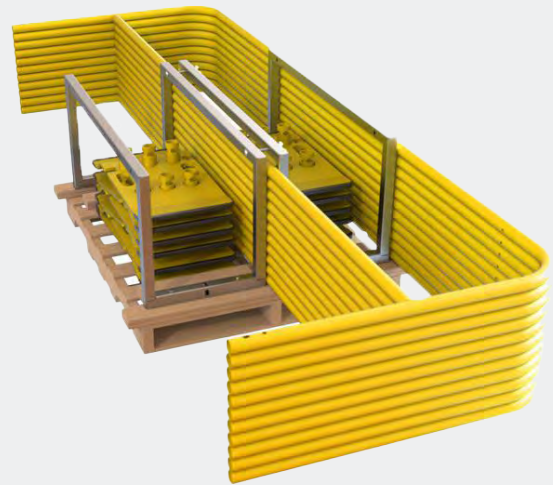
11 -10' Rails and 12- Bases; Yellow TS22 Powder Coat

Guardrail System 7.5 ft. Stack Pallet Part ID: 70782

11 -7.5' Rails and 12- Bases; Yellow TS22 Powder Coat

Guardrail System 5 ft. Stack Pallet Part ID: 70792

11 -5' Rails and 12- Bases; Yellow TS22 Powder Coat



10 ft. Guardrail Stack Pallet #70762

Includes (11) 10' Rails and (12) Standard Bases. Each stack pallet weighs 1,190 lbs. The guardrail system is free-standing and non-penetrating. Rails are TS-22 Safety Yellow. Custom colors or galvanized finish options available.



Standard Base #71094

3 hole base, yellow powder coat with rubber feet (58 lbs). Nests and stacks easily for storage before and after use. Comes with toe board slots on each side and a handle hole for lifting.

E1983 Rev. 7/31/23



Made in USA

Safety Rail Source®

2570 Blvd of the Generals, Ste.200

Norristown, PA 19403

(877) 723-3766

www.SafetyRailSource.com



Safety Rail Source®

NEXTGEN 3000™ UNIVERSAL GUARDRAIL

CUT SHEET

Standards:

System shall have top and mid rail in accordance with OSHA Standards – 29 CFR 1910.23 and 29 CFR 1926.502.

Structural Load:

200 lb (90.7 kg), minimum, in any direction to all components in accordance with OSHA Regulations 29 CFR 1910.23 and 29 CFR 1926.502.

Guardrail Height:

42 inches (1067 mm).

Railings:

High Strength Low Alloy (HSLA) Steel 1.66" (42 mm) O.D. HRPO electric weld tubing, free of sharp edges and snag points.

Mounting Bases:

1/2" HRPO carbon steel plate. Base weight 55 lbs and 72 lbs per square foot. Rubber pads on bottom bases.

Receiver Posts:

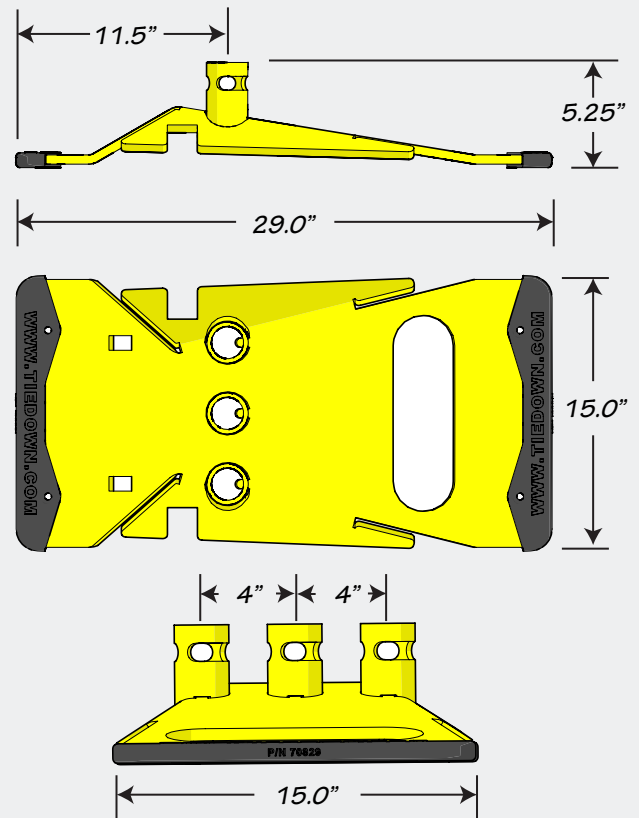
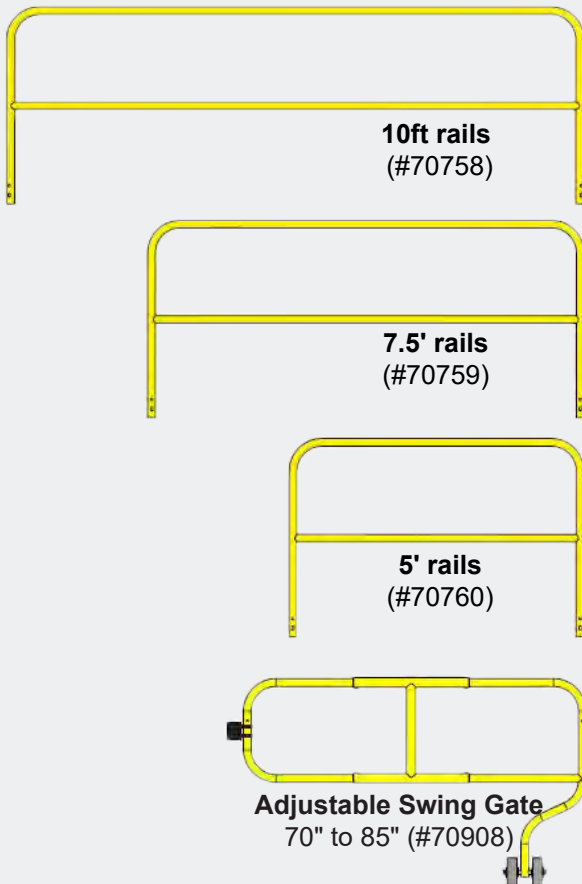
Shall have a positive locking system into slots that allow rails to be mounted in any direction.

Hardware:

Securing pins shall be 1010 carbon steel, zinc plated. Pins shall consist of collared pin and lanyard that connects to pin.

Finishes:

Available in High Visibility TS22 Safety Paint, Pre-galvanized tube, and custom colors upon request.



E1983 Rev. 7/31/23



Made in USA

Safety Rail Source®

2570 Blvd of the Generals, Ste. 200

Norristown, PA 19403

(877) 723-3766

www.SafetyRailSource.com