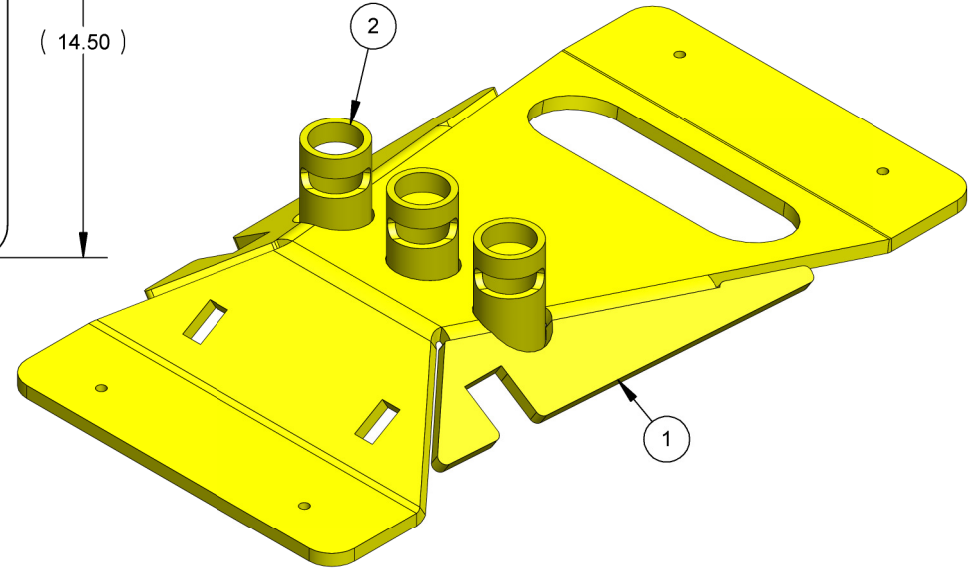
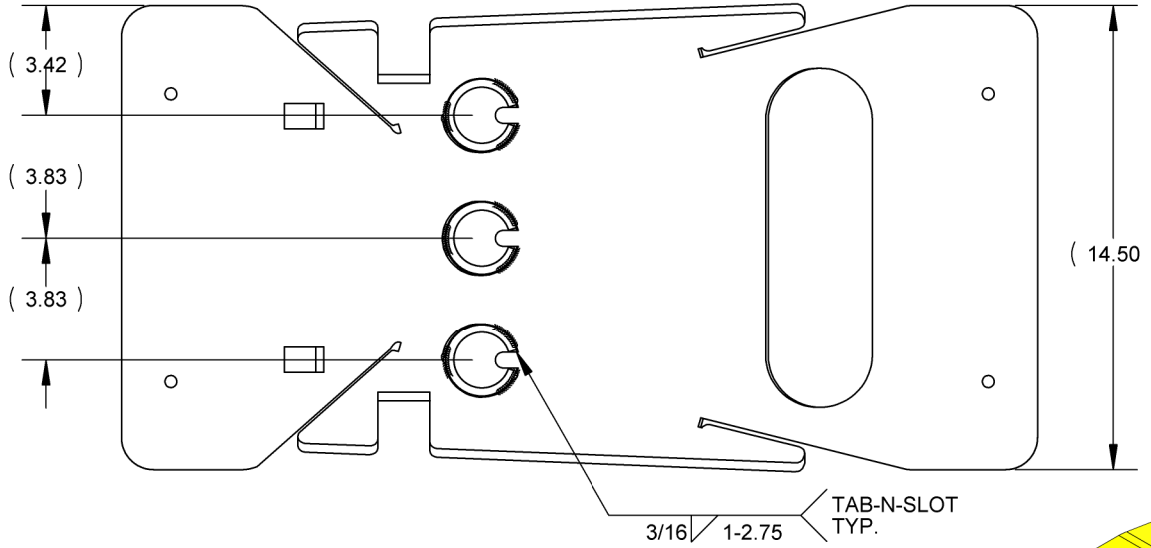
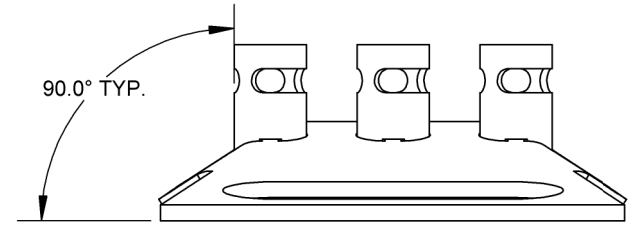
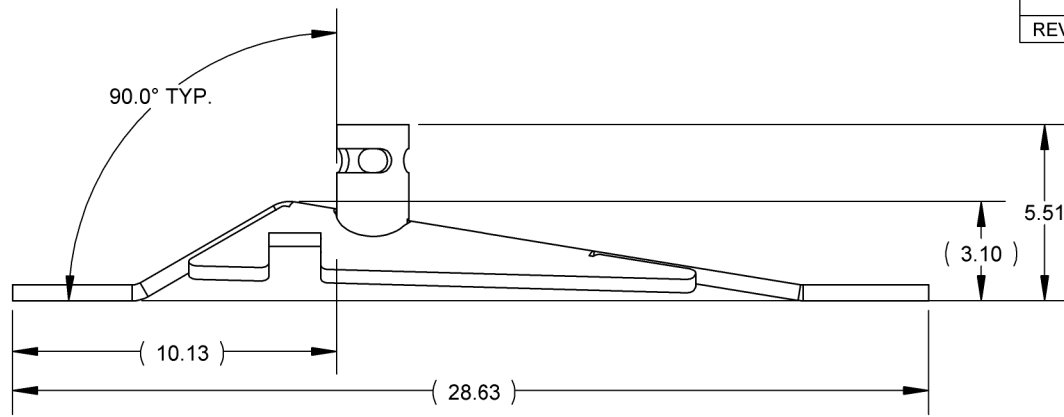


REVISION HISTORY				
REV.	DATE	BY	EFFCTV.	DESCRIPTION



- NOTES:**
- ALL DIMENSIONS ARE IN INCHES.
 - BOXED DIMENSIONS INDICATE OPERATOR Q.C. CHECK.
 - WELD TO BE FREE OF SPATTER & POROSITY w/GOOD PENETRATION.
 - PART TO BE FREE OF BURRS, SHARP EDGES & LASER SLAG.
 - PART TO SATISFY THE REQUIREMENTS, SPECIFIED AND IMPLIED.
 - FINISH-
 - 71093-1: RAW
 - 71093-1Y: POWDER COAT YELLOW
 - 71093-1G: HOT DIP GALV.
 - 71093-1[*]:

{ [*] DENOTES ALTERNATE COATING OPTIONS NOT LISTED HERE CHARACTERIZED BY LETTERS AFTER THE PART NUMBER SIMILAR TO OPTIONS ABOVE. **FOLLOW THE WORK-ORDER** FOR PROPER INSTRUCTIONS FOR ALTERNATIVES.}

FINISH: SEE NOTES		CONFIDENTIALITY NOTICE: THIS DRAWING AND ALL INFORMATION CONTAINED WITHIN IT ARE THE PROPERTY OF TIE DOWN ENGINEERING, ATLANTA, GA 30336. ALL RIGHTS ARE RESERVED.		
DRAWN: JHA 12/09/2021	THIRD ANGLE PROJECTION 	GENERAL TOLERANCES: Decimal X.X +/- 0.1	TIE DOWN 404-344-0000 • TIEDOWN.COM 605 STONEHILL DRIVE SW, ATLANTA, GA 30336 MANUFACTURING INGENUITY PART DESCRIPTION: WELDED SOCKET GATOR BASE WELDMENT	
CHECKED:	ALL UNITS ARE IN INCHES UNLESS OTHERWISE SPECIFIED	Decimal X.XX +/- 0.06		
APPROVED:	PART WEIGHT: 54.94 LBS SHEET SIZE: ANSI A	Decimal X.XXX +/- 0.030 Angles +/- 1° Hole ϕ +/- 0.008	MATERIAL: N/A	PART NUMBER: 71093-1
			SCALE: 1:6	REV.: SHEET: 1 of 1

ITEM NO.	PART NUMBER	DESCRIPTION	QTY.
1	71093-1-1	ZIP2 POSI-LOCK GUARDRAIL BASE - 1 RAIL FORMED BASE	1
2	70756-2	GUARDRAIL - 1 PIECE BASE VERTICAL TUBE	3