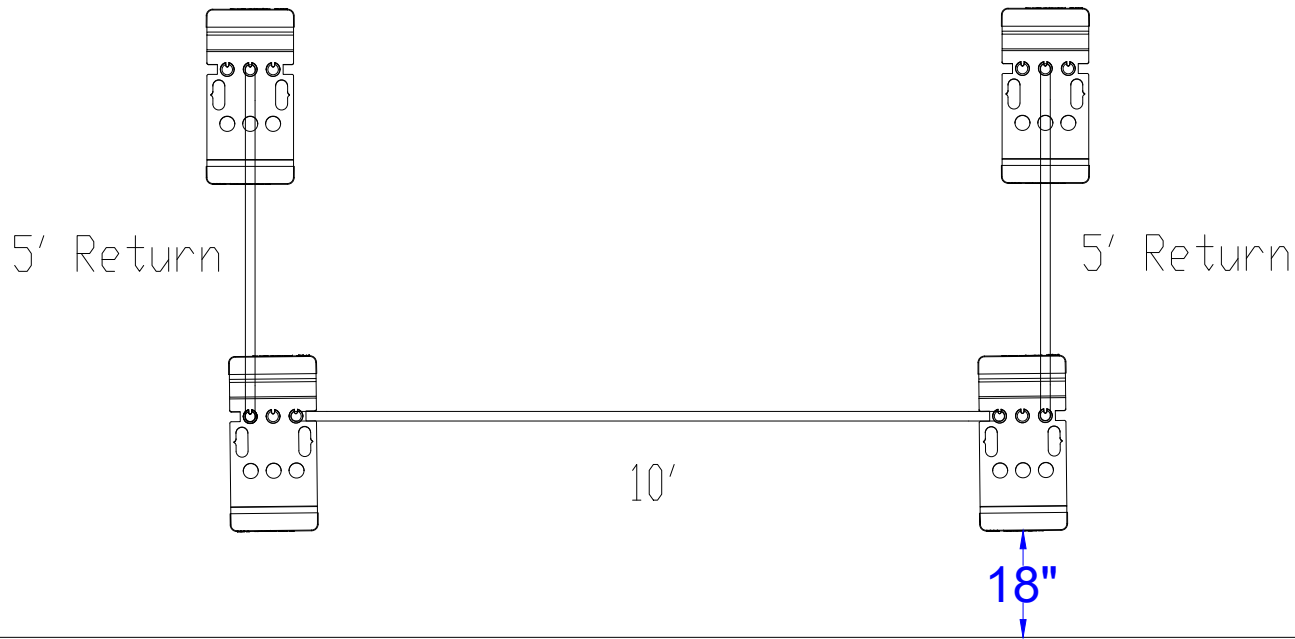


Items:

- 1) 70764 10 ft. Guard Rail Galvanized
- 2) 70766 5 ft. Guard Rail Galvanized
- 4) 70756G Base Galvanized

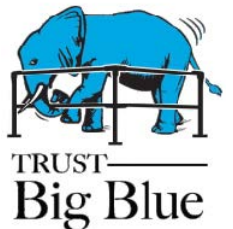


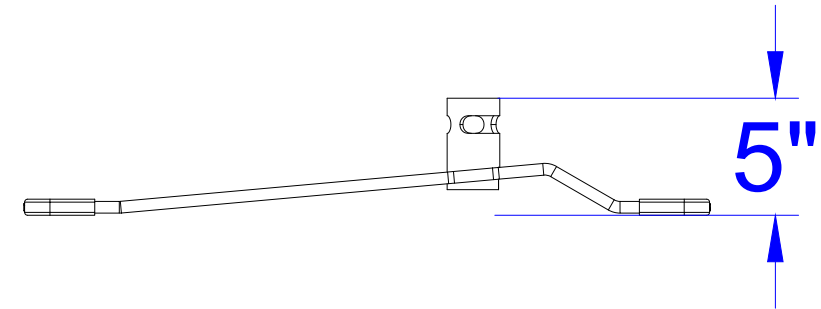
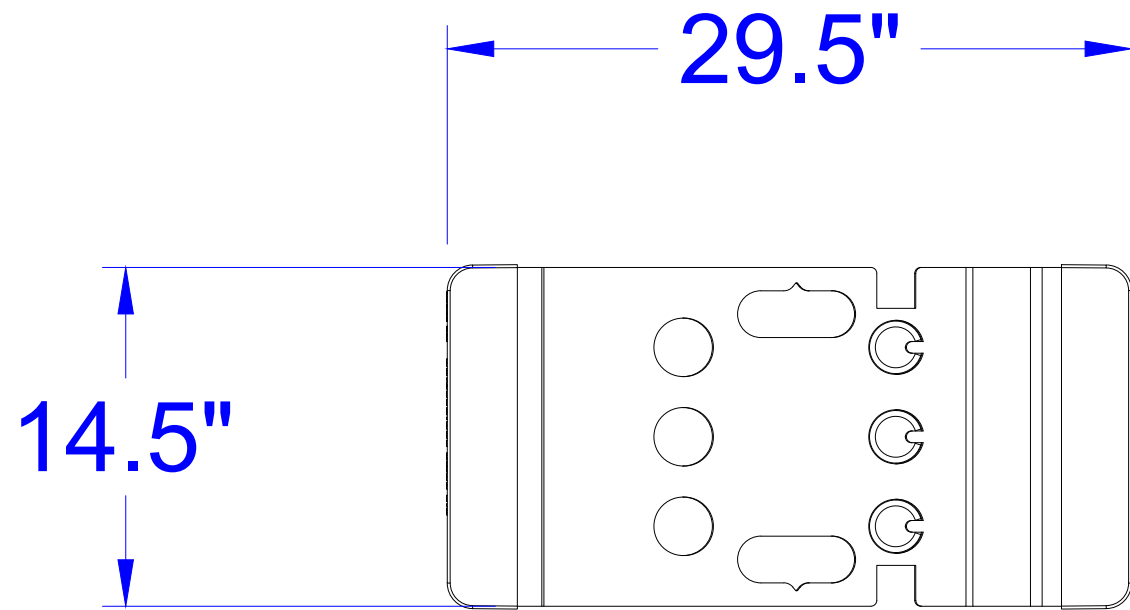
0	00-00-00	ORIGINAL ISSUE
REV.	DATE	DESCRIPTION
<b>REVISION &amp; SUBMITTAL RECORD</b>		
<b>Safety Rail Source</b>		
2570 Boulevard of the Gen. #200, Norristown, PA 19403		
PHONE: 610-539-9535 FAX: 610-539-1630		
WEBSITE WWW.SAFETYRAILSOURCE.COM		

Sample Layout
<b><u>RAILING LAYOUT</u></b>

DWN. BY	EMD
CHKD BY	
SCALE	NONE
REV.	0
DWG. No.	N/A

All Information Contained in this drawing is the sole property of Safety Rail Source. Any reproduction is prohibited without the written consent of Safety Rail Source.





0	00-00-00	ORIGINAL ISSUE
REV.	DATE	DESCRIPTION
<b>REVISION &amp; SUBMITTAL RECORD</b>		
<b>Safety Rail Source</b>		
2570 Boulevard of the Gen. #200, Norristown, PA 19403		
PHONE: 610-539-9535 FAX: 610-539-1630		
WEBSITE WWW.SAFETYRAILSOURCE.COM		

NextGen 3000
<u>NextGen Base</u> <u>Dimensions</u>

DWN. BY	EMD
CHK'D BY	
SCALE	REV.
NONE	0
DWG. No.	N/A

All Information Contained in this drawing is the sole property of Safety Rail Source. Any reproduction is prohibited without the written consent of Safety Rail Source.

