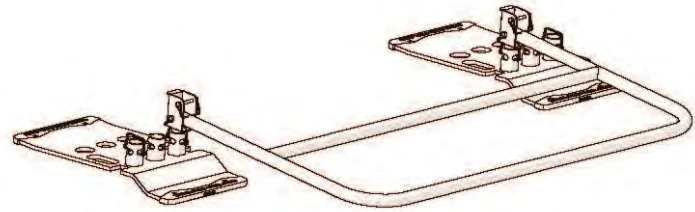
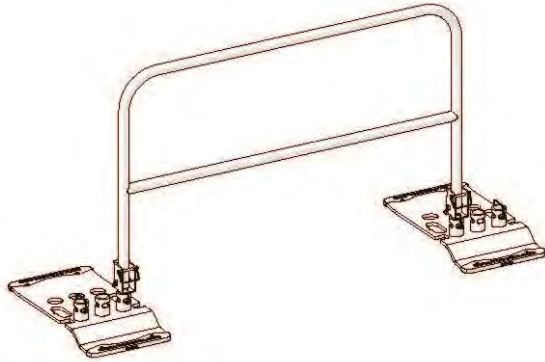




# Safety Rail Source®

## NEXTGEN 3000™ COLLAPSIBLE GUARDRAIL

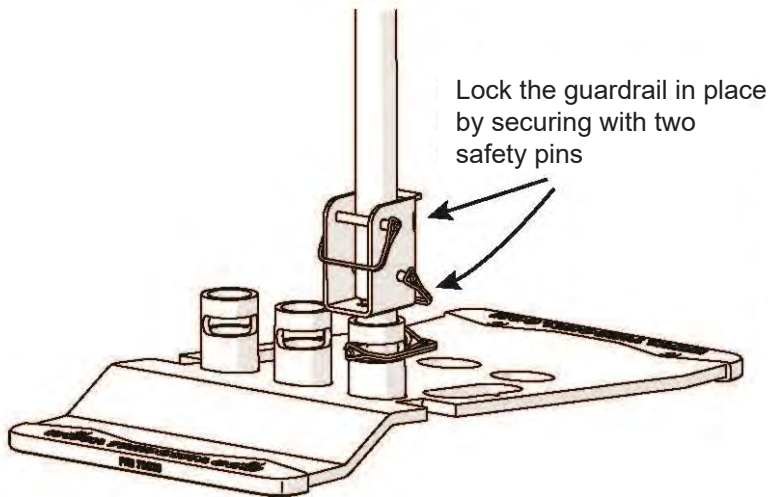
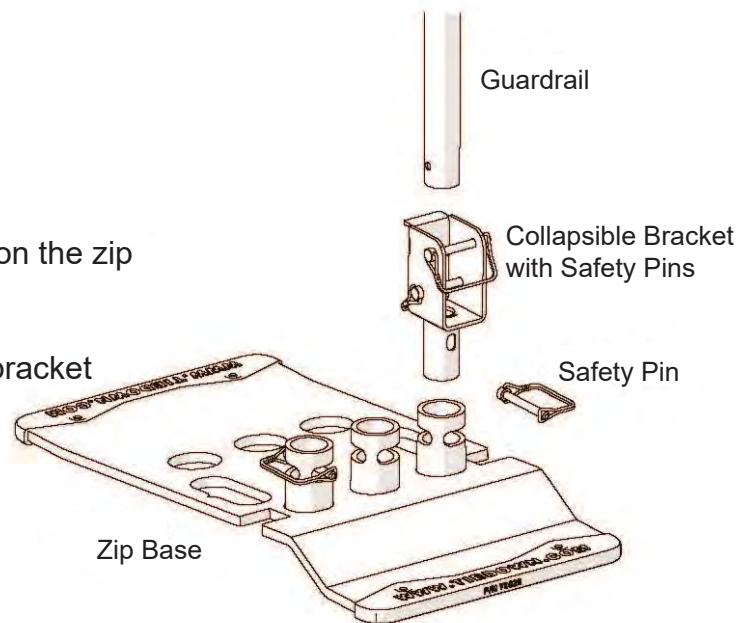
### INSTALLATION INSTRUCTIONS



#### Step 1

Place the Collapsible Bracket in the outside post on the zip base. Secure with safety pin

Remove the two safety pins from the collapsible bracket



#### Step 2

Place the guardrail into the collapsible bracket. Align the guardrails with holes on the collapsible bracket holes. Secure the guardrail by replacing the two safety pins.



Made in USA

Safety Rail Source®  
2570 Blvd of the Generals, Ste. 200  
Norristown, PA 19403  
(877) 723-3766  
[www.SafetyRailSource.com](http://www.SafetyRailSource.com)



# Safety Rail Source®

## NEXTGEN 3000™ COLLAPSIBLE GUARDRAIL

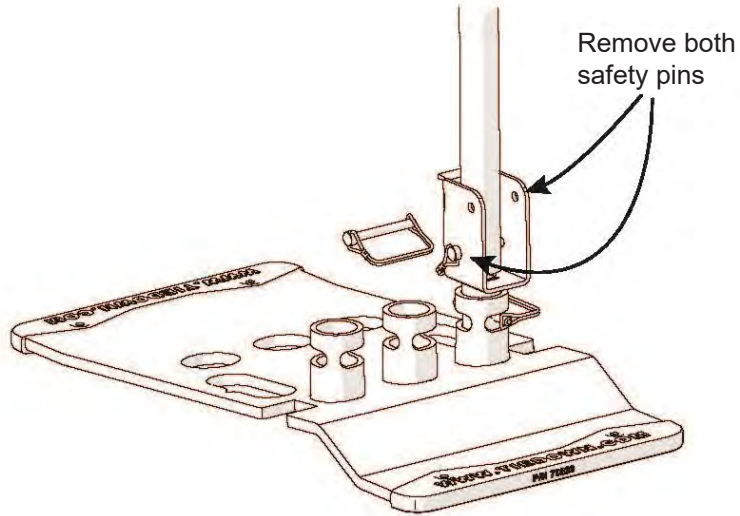
### INSTALLATION INSTRUCTIONS

#### Lowering the Guardrail

##### Step 1

Remove both safety pins on the ends of the guardrail.

Lower the guardrail 90 degrees, resting on the surface.

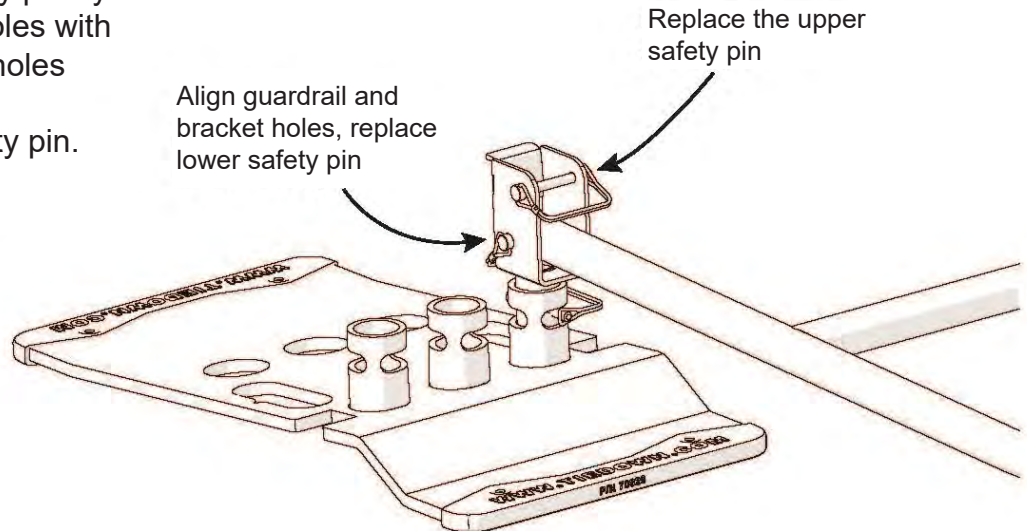


#### Lowering the Guardrail

##### Step 2

Replace the lower safety pin by aligning the guardrail holes with the collapsible bracket holes

Replace the upper safety pin.



Made in USA

Safety Rail Source®  
2570 Blvd of the Generals, Ste. 200  
Norrstown, PA 19403  
(877) 723-3766  
[www.SafetyRailSource.com](http://www.SafetyRailSource.com)