

# Step-Straight™ Instruction Manual

Failure to read, understand and follow these instructions may cause bodily injury or death.

The Step-Straight Extension Ladder Walk-Thru is designed to fit most ladder profiles in the market. Fitting from Type II to Special Duty Type IAA, the Step-Straight incorporates a dual clamping, non-penetrating, system that locks the rail extensions on the ladder rails. The addition of the Step-Straight to virtually any extension ladder will allow for a much safer transition to an elevated walking surface. The Step-Straight meets compliance standards OSHA 1910 and 1926.



## WARNING

KEEP EXTENSION LADDERS A MINIMUM 10 FT.  
CLEAR OF ALL ELECTRICAL WIRES AND EQUIPMENT.  
BE AWARE OF OVERHEAD WIRES BEFORE RAISING  
TRACK SECTIONS. ELECTRICITY KILLS!

Per OSHA regulations, always maintain three points of contact while assembling and climbing on a ladder.

**TIE DOWN**  
MANUFACTURING INGENUITY

Remember to  
always erect  
your ladder  
using the  
4:1 rule

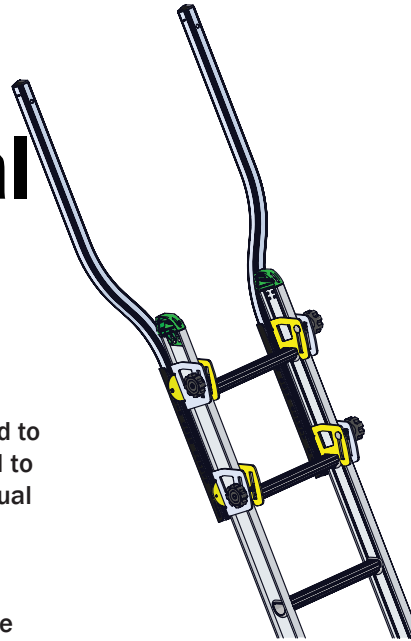


**WARNING:** This product can expose you to chemicals including Nickel, which is known to the State of California to cause cancer. For more information go to: [www.P65Warnings.ca.gov](http://www.P65Warnings.ca.gov)

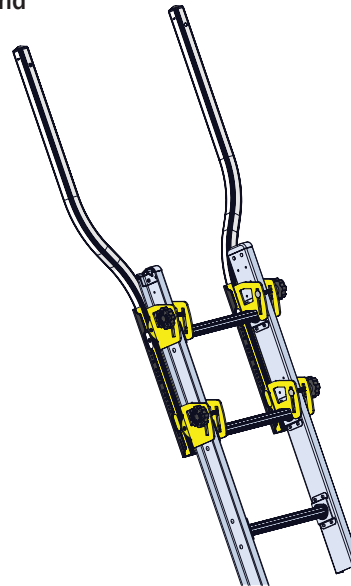
**MADE  
★IN THE★  
USA**

Instructions #08404 (E1893 - Rev. 1/4/22)

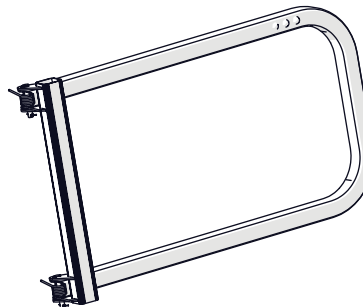
Step-Straight  
Extension Ladder  
Walk-Thru  
Part ID: 72874



Step-Straight  
Extension Ladder  
Walk-Thru  
Professional  
Part ID: 72875



Step-Straight  
Extension  
Ladder Walk-Thru  
Safety Gate  
Part ID: 72877



Safety Rail Source  
877-723-3766  
2570 Blvd of the Generals, Suite 200  
Norristown, PA 19403  
[www.safetyrailsource.com](http://www.safetyrailsource.com)

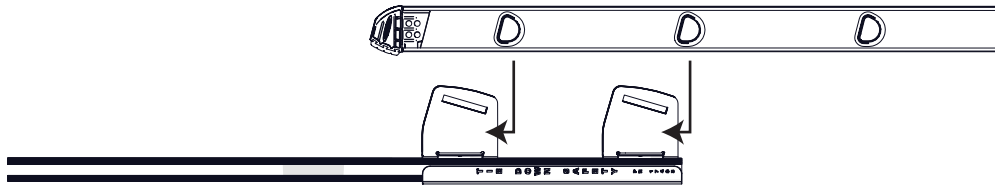
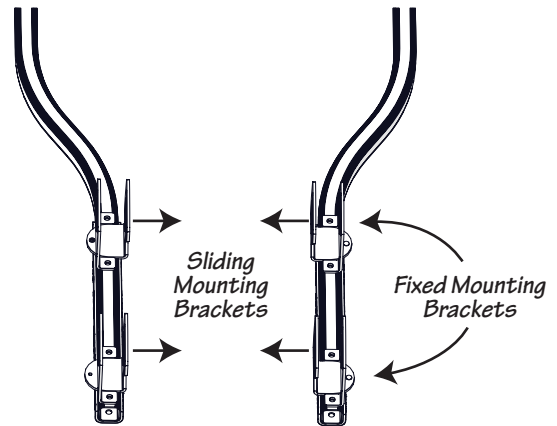
# Step-Straight Extension Ladder Walk-Thru Installation Instructions

Part ID: 72874

## Step 1

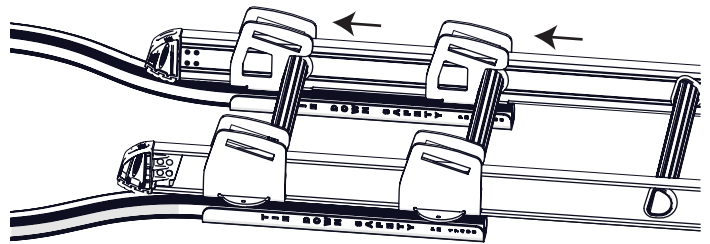
Lay the two walk-thru post on flat ground with mounting brackets up. Slide the tension brackets outward as far as they will slide.

*NOTE: The sliding mounting brackets must be arranged on the inner legs of the ladder.*



## Step 2

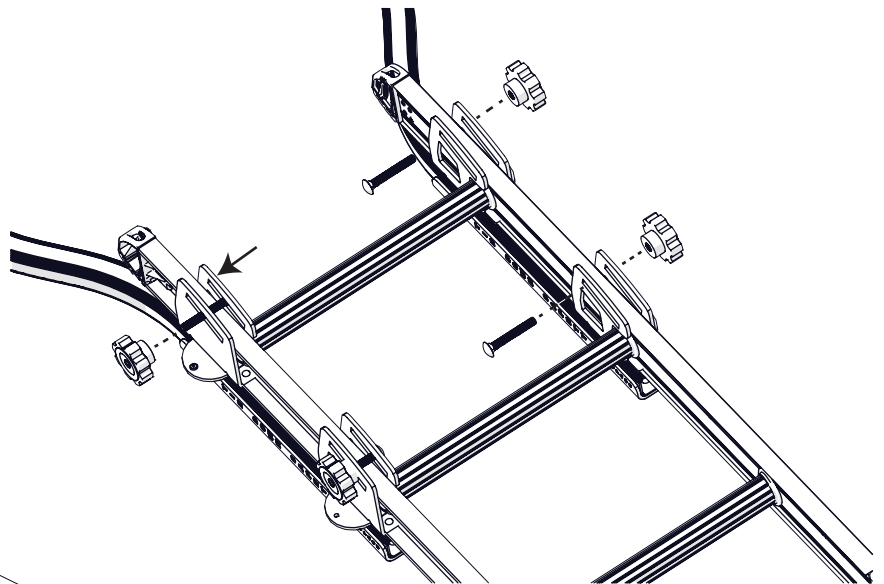
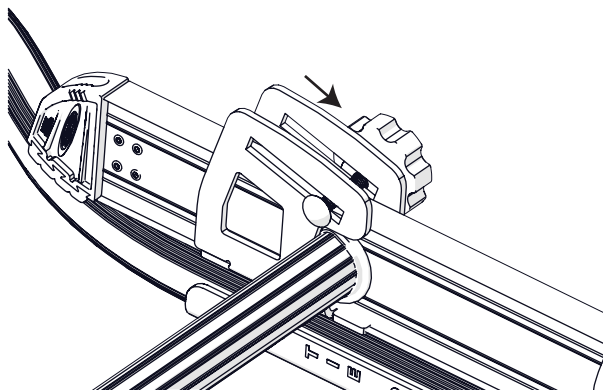
Position the ladder over the ladder walk-thru so the top rung of the ladder is aligned with the upper mounting brackets. Lower the ladder into (between) the outer bracket and the inner tension bracket on both walk through post. Once the ladder comes to rest on the walk-thru post, slide the ladder forward as shown in the illustration on the right.



## Step 3

Make sure the ladder rungs are flat against the top portion of each walk through post.

Slide the tension brackets outward making full contact with the ladder. Working from inside the ladder insert carriage bolts through the tension bracket and outer mounting bracket. Attach tension knobs on all four carriage bolts. Slide the bolt/knob down so that it is flush against the ladder as shown below. Repeat and tighten each of the remaining knobs.



# Step-Straight Professional Extension Ladder Walk-Thru Installation Instructions

## Part ID: 72875

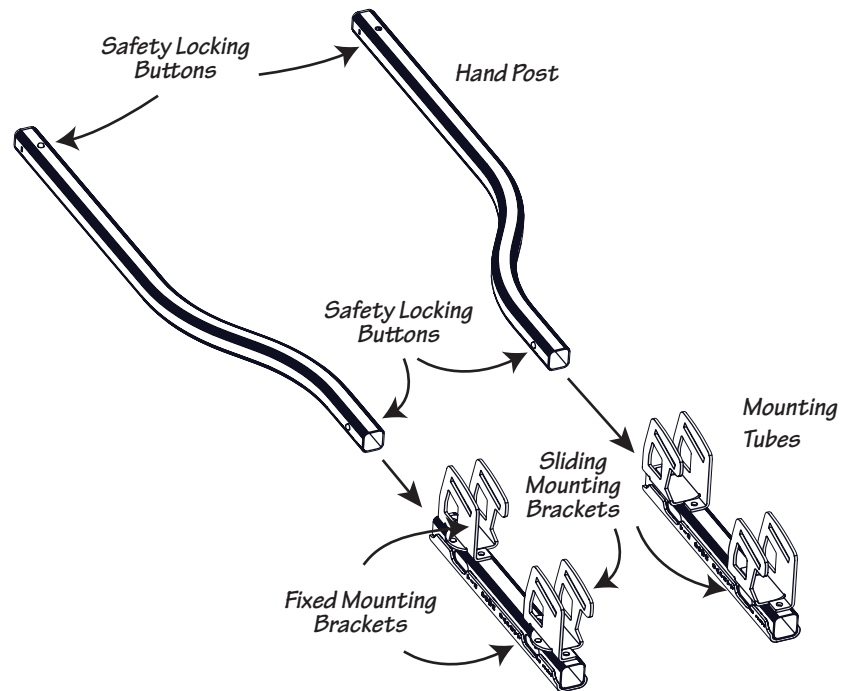
### Step 1

Lay the two walk-thru mounting tubes flat on the ground with the mounting brackets up.

*NOTE: The sliding mounting brackets must be on the inner legs of the ladder.*

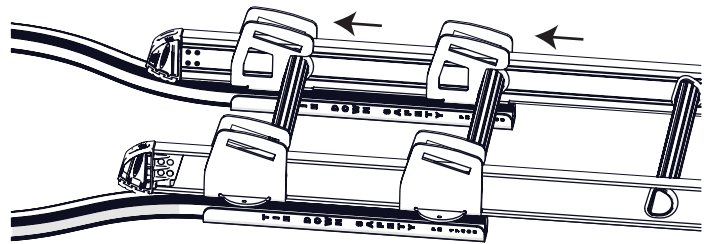
While holding down the safety locking button on the bottom of the hand post, slide the post into the top of the mounting tube as shown right. Continue sliding the hand post downward until the safety locking button snaps out in the opening on the mounting tube.

Repeat for the opposite side.



### Step 2

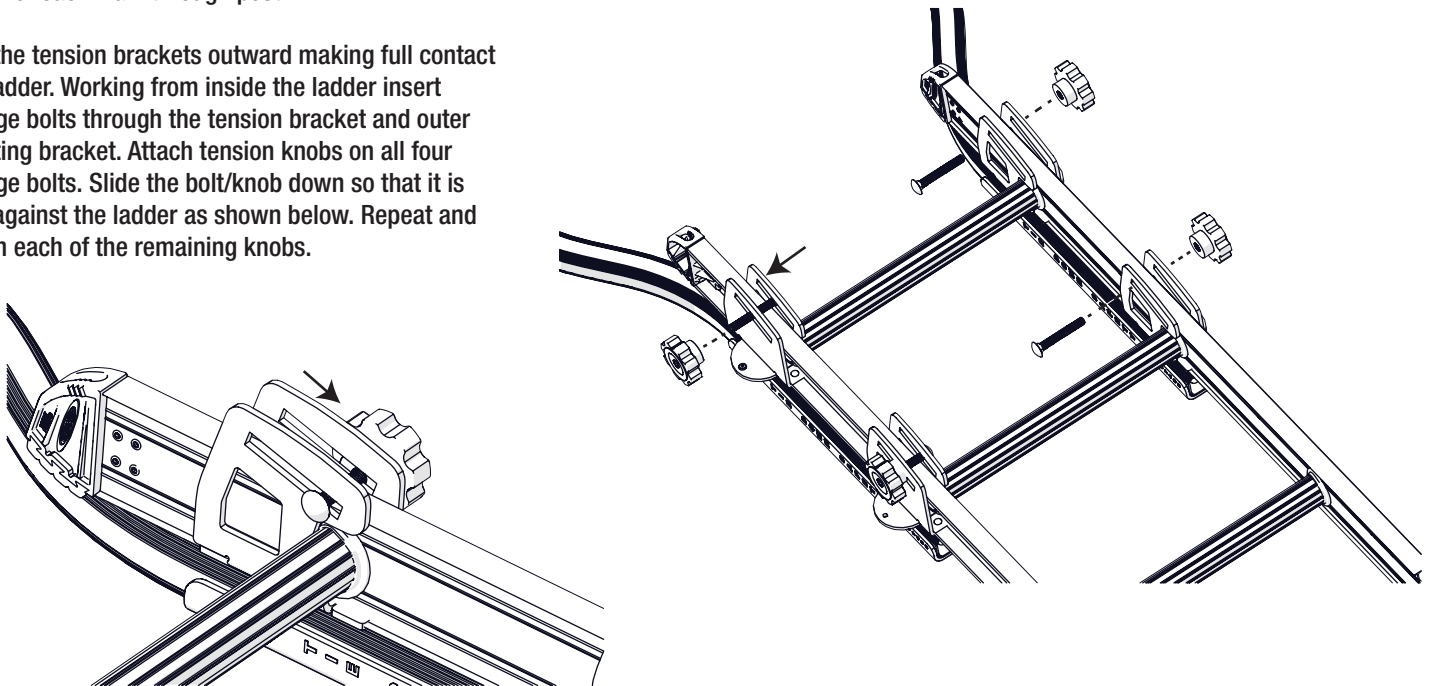
Position the ladder over the ladder walk-thru so the top rung of the ladder is aligned with the upper mounting brackets. Lower the ladder into (between) the outer bracket and the inner tension bracket on both walk through post. Once the ladder comes to rest on the walk-thru post, slide the ladder forward as shown in the illustration to the right.



### Step 3

Make sure the ladder rungs are flat against the top portion of each walk through post.

Slide the tension brackets outward making full contact with ladder. Working from inside the ladder insert carriage bolts through the tension bracket and outer mounting bracket. Attach tension knobs on all four carriage bolts. Slide the bolt/knob down so that it is flush against the ladder as shown below. Repeat and tighten each of the remaining knobs.



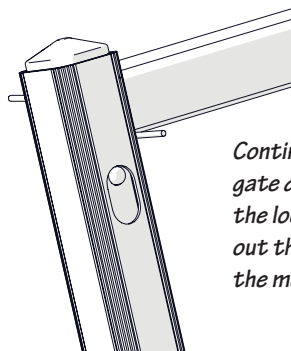
# Step-Straight Extension Ladder Walk-Thru Safety Gate Installation Instructions

## Part ID: 72877

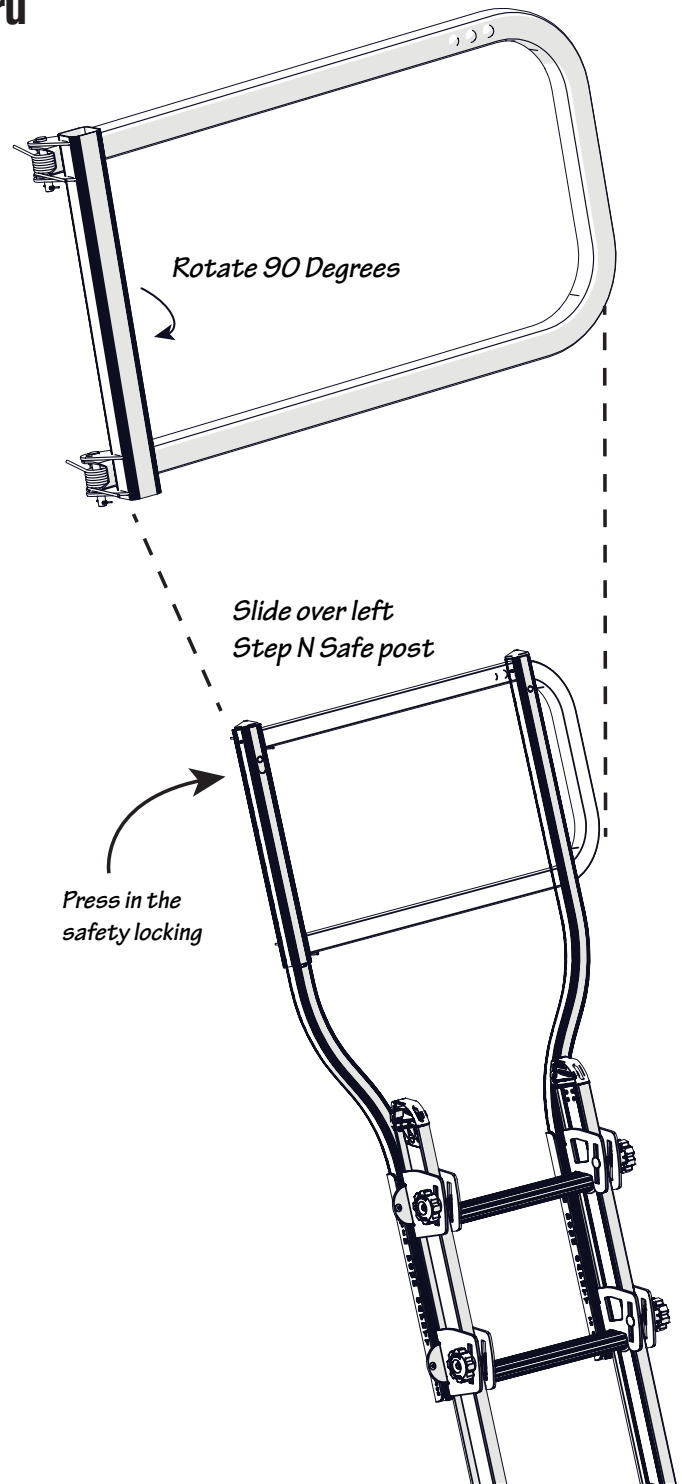
The Step-Straight Gate ships completely assembled. No tension is loaded on the springs, which will be added during the simple assembly.

Installation should take place on the ground prior to lifting the extension ladder. The gate must be installed on the opposite side of the extension ladder. Opening outward onto the rooftop.

While holding the gate over the side of the Step-Straight post, rotate the mounting tube 90 degrees. Slide the mounting tube over the Step-Straight post. Press the safety locking button inward. Continue sliding the mounting tube downward until the safety locking button releases out through the slot on the mounting tube.



*Continue sliding the gate downward until the locking button releases out through the slot on the mounting tube.*



*Rotate 90 Degrees*

*Slide over left  
Step N Safe post*

*Press in the  
safety locking*

### Safety First

- Always face the ladder when climbing or descending.
- Always hold the ladder with at least one hand.
- Do not carry loads that might make you lose your balance.
- Never move or extend a ladder when someone is on it.
- Keep body centered between side rails.
- Do Not overreach.

### WARNING:

Compliant fall protection equipment must only be used as it was designed and follow the hierarchy of controls as discussed in ANSI Z359.2. All users MUST read and follow all instructions provided with the Step Safe product. Before using a fall arrest system, users must be trained in the safe use of the system, as required by OSHA 29 CFR 1910.30 and 1926.503, or local safety regulations. Misuse or failure to follow these warnings and instructions may result in injury or even death

2570 Blvd. of the Generals, Suite 200  
Norrstown, PA 19403  
info@safetyrailsources.com  
877.723.3766  
www.SafetyRailSource.com  
ISO 9001:2015 Certification  
Intellectual property of TIE DOWN Inc.  
©2021 TIE DOWN, Inc. Instruction #08404 (E1893 Rev. 1/24/22)

