



01

Height Safety SystemsBasics for work at heights _____ [03](#)**A. Horizontal Fall Arrest**EN 795:2012 Type C | Type D | Type A CEN/TS 16415:2013
ASSP/ANSI Z359.6 & CSA259.16
BS8610**SecuRope Cable Lifeline**On ground _____ [04](#)
Overhead _____ [05](#)**Type of fixations**On post _____ [06](#)
On Unipost _____ [07](#)
On Cold deck brackets _____ [08](#)
On Standing seam roof _____ [09](#)
On Hot deck brackets _____ [10](#)
On Unipost for green roofs _____ [11](#)
On steel beams _____ [12](#)SecuRail Pro _____ [13](#)SafeAccess Rail Fall Arrest _____ [14](#)**B. Vertical Fall Arrest**EN 353-1:2014 / EN 353-1:2018 / EN 353-1:2014 + A1:2017
OSHA 1910 + ANSI A14 -3SecuRope QuickSet Cable Lifeline _____ [15](#)SecuRail Pro / MastLadder _____ [16](#)SafeLadder Pro _____ [17](#)**C. Anchor Points**EN 795:2012 Type A | CEN/TS 16514:2013
ASSP/ANSI Z359.18Abseiling, fall arrest and restraint _____ [18](#)Fall arrest and restraint _____ [19](#)**Work at height European regulations and standards****EN 795:2012**

They are the technical requirements placed on horizontal (up to 15°) fall arresting anchor devices. The EN 795 distinguishes five types of anchorage device, from A to E.

- **Type A** refers to single anchors.
- **Type B** refers to temporary anchorage points.
- **Type C** refers to horizontal flexible systems such as cable lifelines.
- **Type D** refers to rigid systems, usually rail systems.
- **Type E** refers to temporary systems that are stabilized using counterweights.

This standard considers only single-user applications.

CEN/TS 16415:2013

This technical specification certifies anchor devices that allow more than one user to be attached at the same time. Since work at height requires at least two workers, Fallprotec tests all systems for several people.

EN 353-1:2014 / EN 353-1:2018 / EN 353-1:2014 + A1:2017

This European standard defines the technical requirements for vertical rigid anchor line. The forward-leaning angle and/or sideways leaning angle lies between 85° and 95°.

2006/42/EC:2006

This European directive specifies the safety features for machinery. The Annex IV concerns lifting equipment. All height access products of Fallprotec are certified according to the directive 2006/42/EC.

EN 1808:2015

It is a European standard which specifies the safety requirements for Suspended Access Equipment (SAE). It is applicable to both permanent and temporary equipment which may be powered or hand operated. The Fallprotec monorails and cradles are designed according to EN 1808:2015.

OSHA 29 CFR 1910 SUBPART D

The OSHA 1910 subpart D concerns "Walking Working Surfaces". The standard detail "general industry" safety regulations apply to most worksites, while OSHA 1926 concerns construction sites. OSHA 1910 is an applicable law and must therefore be followed by the employer and the building owner. The standard has several chapters, which covers general definition, access ladders, guardrails, fall protection equipment, training requirements etc.

OSHA 29 CFR 1926 SUBPART M

OSHA 29 CFR 1926 subpart M lays out the requirements and criteria for fall protection in construction workplaces. The standard covers the obligations of the employers. It describes also the possible safety systems to protect the workers against the risk of falls (safety nets, guardrail, engineered fall protection, PPE etc.)

ANSI/ASSP Z359.6-2016

"Specifications and Design Requirements for Active Fall Protection Systems" is a standard for qualified persons, so they can design engineered horizontal lifelines and/or anchorage systems. The standard gives clear indications with regards to the minimum breaking strength, safety factors, calculation on fall clearance etc.

BS8610: 2017

The new British Standard for fall protection systems. This standard has the advantage to distinguish between fall restraint, fall arrest, work positioning & rope access.

CSA Z259.16-15

This Canadian standard addresses systems designed as fallarrest. It has similar requirements to the US standards.

Safety Rail Source
2570 Blvd of the Generals
Suite 200
Norristown, PA 19403Toll Free: (877) 723 3766
www.SafetyRailSource.com
info@safetyrailsources.com**Application Icons**

Industrial



Housing

Potentially
explosive atmosphereOver
TrucksConfined
SpacesFall
ArrestRope
AccessWork in
restraintGround
configurationWall
configurationCeiling
configurationVertical
Structures

Buildings



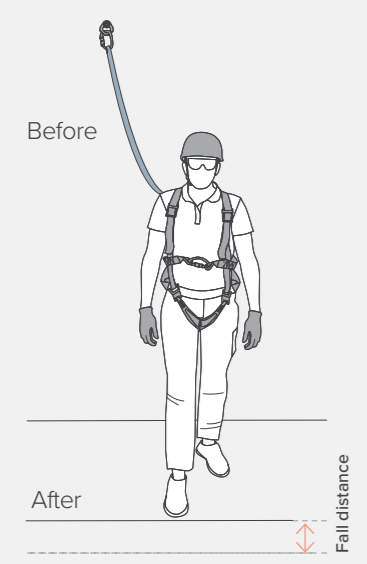
Guardrails

Fall Factor

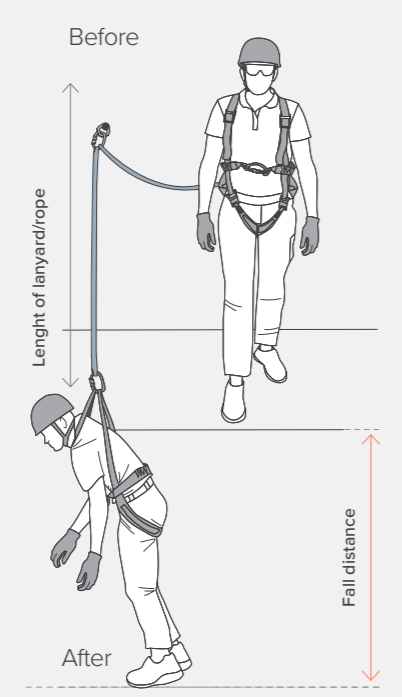
The fall factor is the distance fallen, divided by the length of the lanyard or rope. This length is limited to 2m max in general. The fall factor ranges from 0 to 2. Independently of a fall being long or short, the lower the fall factor, the safer the fall.

$$\text{Fall Factor} = \frac{\text{Fall distance}}{\text{Length of lanyard/Rope}}$$

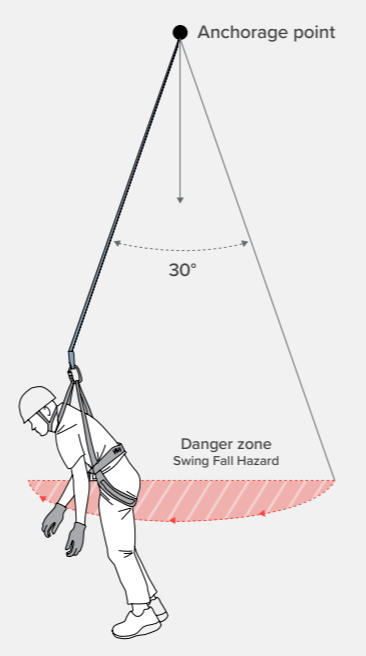
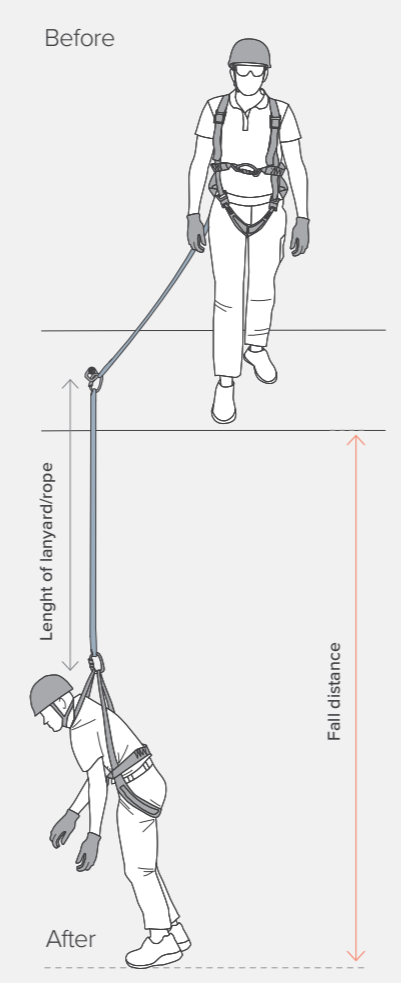
Fall Factor 0



Fall Factor 1



Fall Factor 2



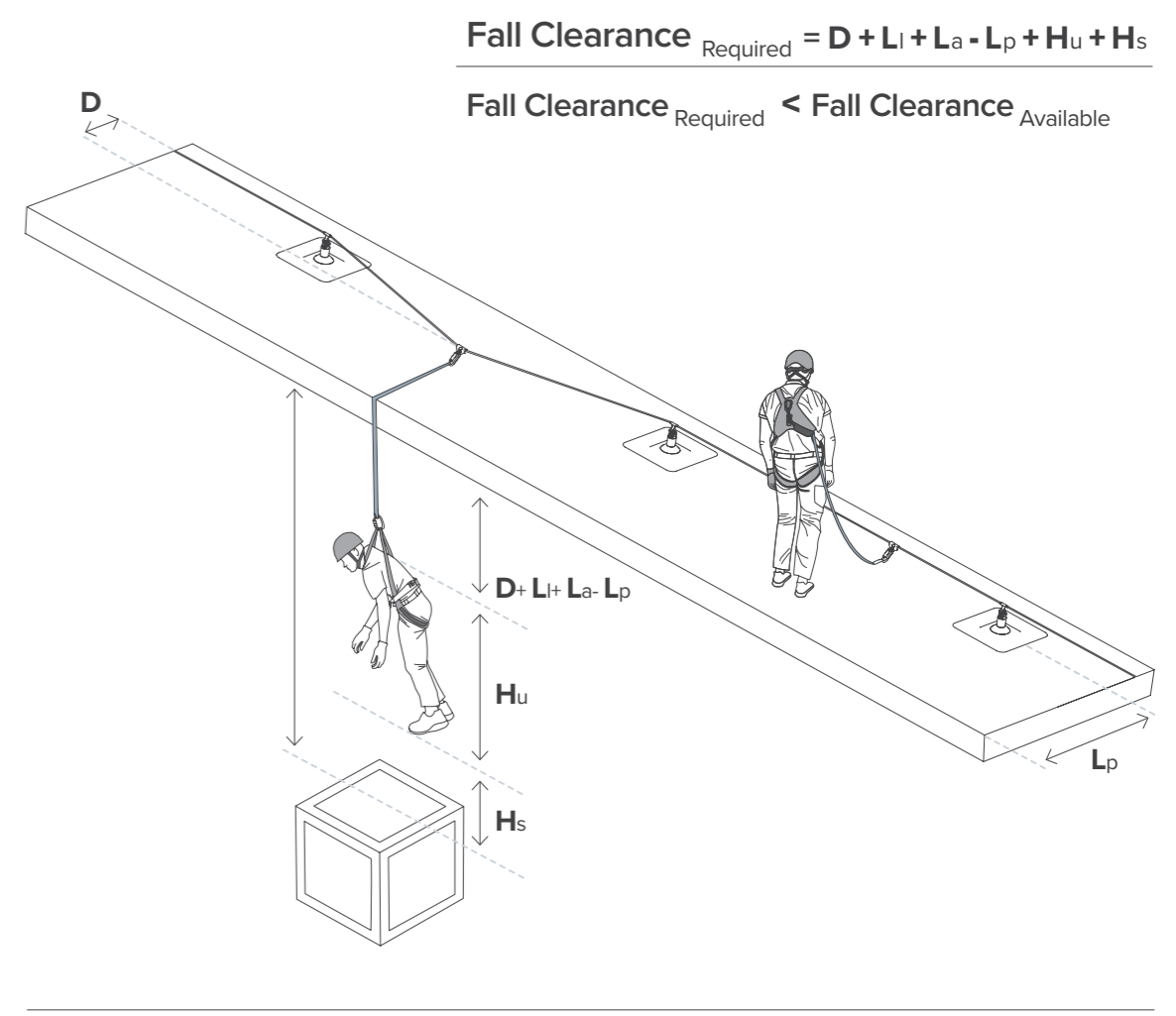
Some types of work at heights may include a risk of pendulum effect, causing the fallen worker to swing into obstacles. A maximum angle of 30° with respect to the anchorage system or anchor point is recommended to minimize that pendulum effect.

Fall Clearance

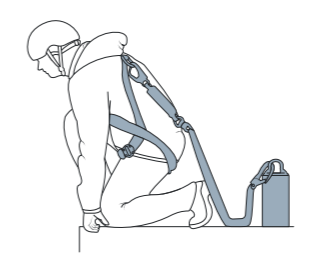
The height of fall must be less than the available clearance so that the person falling does not hit an obstacle during the fall.

The height of fall is the sum of the terms given below:

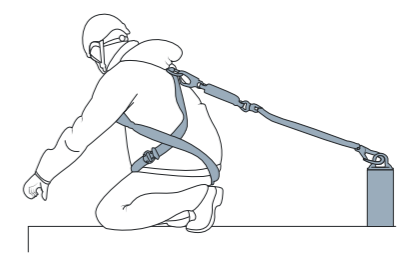
- D: the deflection of the lifeline.
- Ll: the length of the lanyard.
- La: the braking distance of the energy absorber.
- Lp: distance between the lifeline and the edge from which the user can fall
- Hu: the user height
- Hs: the safety height



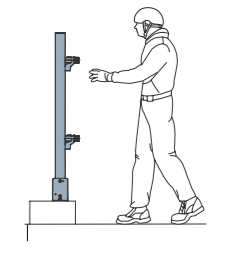
Fall Arrest



Fall Restraint



Collective protection



Personal fall arrest systems minimize injuries in the event of a fall and the restraint systems prevent a person from reaching the area where there is a risk of falling. Collective protection provides a secure working area for all individuals involved.

ADVANTAGES

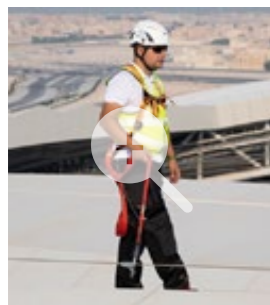
- For 4 users (EN) / 2 users (U.S.A. & Canada)
- 15m (49') max. between anchors
- Freehand system
- Undeformable
- Energy absorbing on orientable intermediate anchors
- Wide range of brackets for all structures or roofing
- Possibility of custom-made solutions with the Fallprotec's engineering department



Compliant with
EN 795:2012 Type C
CEN/TS 16415:2013
ASSP/ANSI Z359.6 & CSA259.16
BS8610



Case Studies



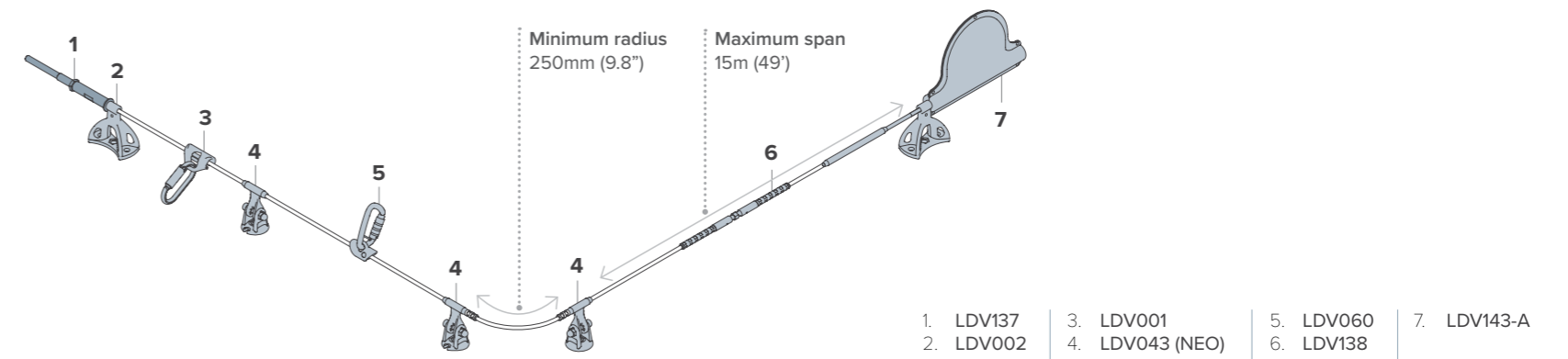
Click on the picture to see all case studies related to this product.

Videos

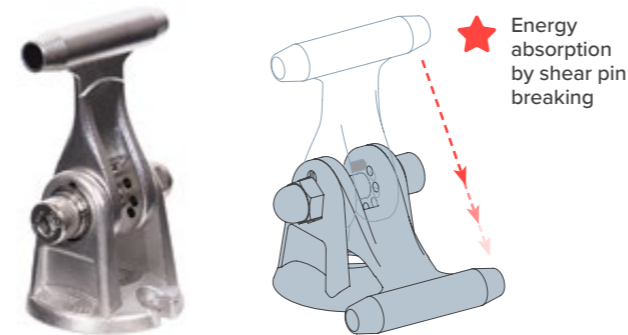


Click on the picture to watch the full video and others related to this system in our YouTube channel

Horizontal SecuRope 2012 lifeline directly on concrete



Intermediate anchors for horizontal lifelines



	LDV043 (NEO)	LDV155 (TEVO)
Energy absorbing	•	
Undeformable	•	•
Stainless steel components	•	•
Suitable for fragile structures	•	
Available in copper alloy for ATEX environments	•	



The TEVO anchor, a competitive solution, has been specifically designed for concrete grounds and rigid structures.

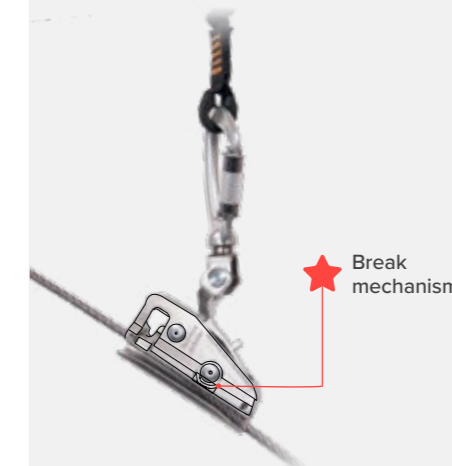
LDV155 (TEVO)



Glider with steel carabiner

Fallprotec offers a wide range of gliders adapted to each type of situation. Delivered with steel carabiners, the glider passes smoothly over the intermediate anchors, letting the user move freely along the lifeline.

1. LDV001 / 2. LDV043 (NEO)



Fallprotec provides captive gliders (LDV111) and opening gliders (LDV001), gliders for lifelines in every configuration. It also offers a glider for inclined lifelines blocking instantly in case of a fall. Smooth gliding through the anchors.

LDV275

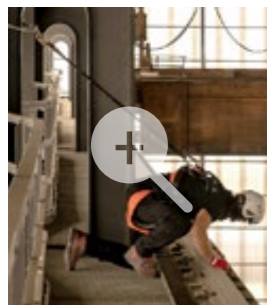
ADVANTAGES

- For 4 users (EN) / 2 users (U.S.A. & Canada)
- Undeformable
- Can be used with retractable fall arresters
- Also for curved sections (minimum radius: 250mm (9.8"))
- The glider passes smoothly over NEO anchor with a retractable fall arrester
- Often used in the industry for works above machines. Recommended for a distance between the lifeline and the walkway up to 7m (22')
- Can be installed in corrosive environments

Compliant with
EN 795:2012 Type C
CEN/TS 16415:2013
ASSP/ANSI Z359.6 & CSA259.16

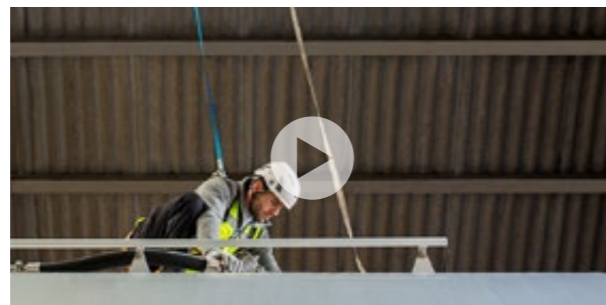


Case Studies



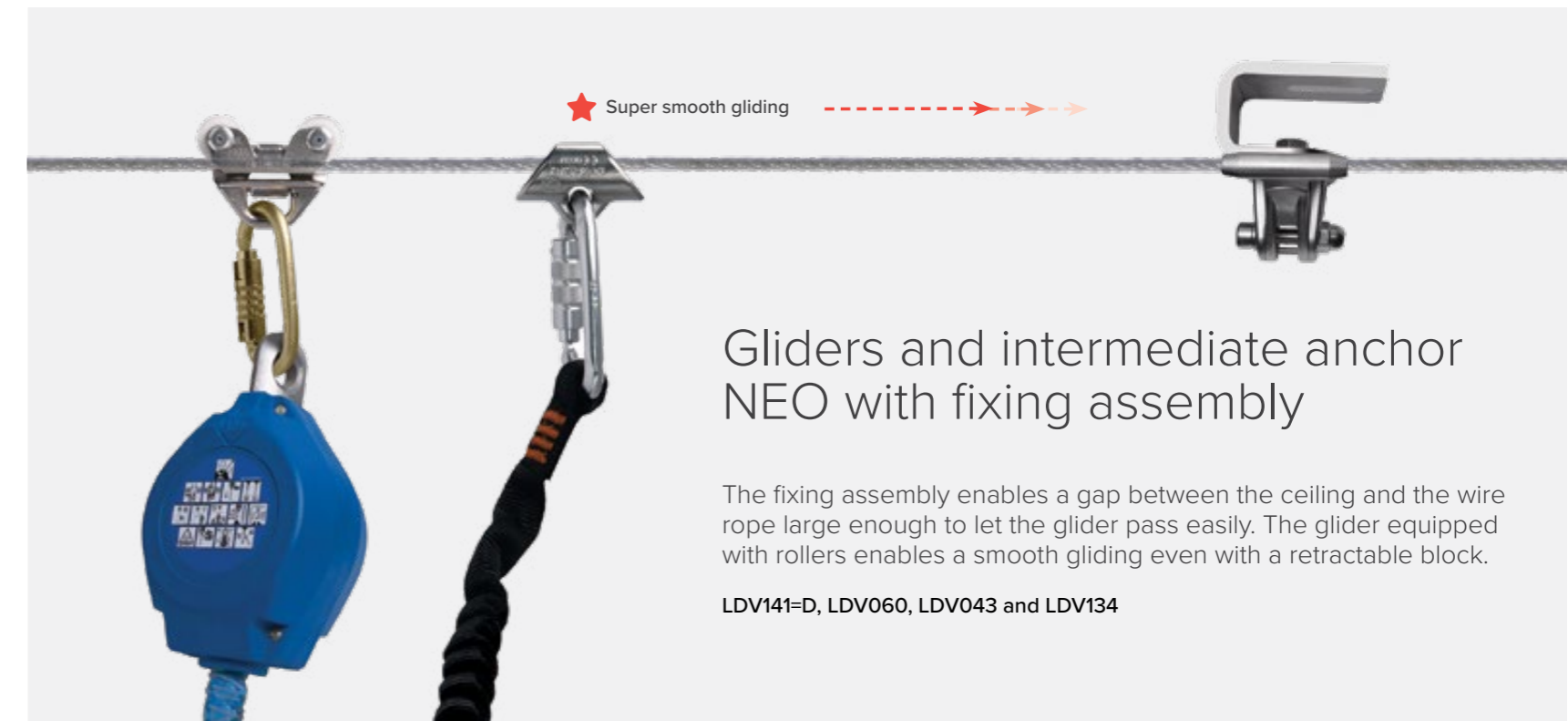
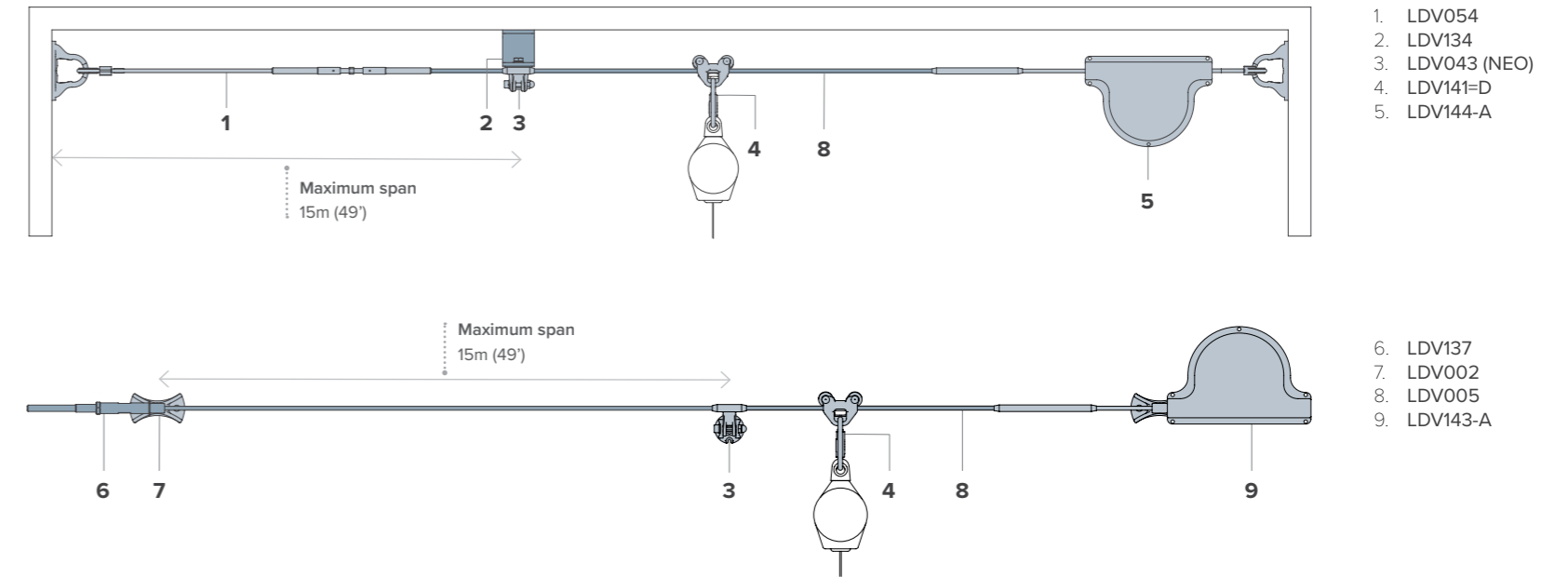
Click on the picture to see all case studies related to this product.

Videos



Click on the picture to watch the full video and others related to this system in our YouTube channel

SecuRope 2012 Lifeline between two walls and SecuRope 2012 Lifeline on wall configuration



ADVANTAGES

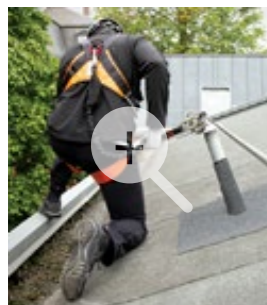
- For 4 users (EN) / 2 users (U.S.A. & Canada)
- Undeformable
- Compatible with SecuRope EVO, SecuRope 2012 and Securail Pro
- Galvanised steel 500 mm (19") or 750 mm (29") high
- Stainless steel on demand
- Bespoke fixings available upon request



Compliant with
EN 795:2012 Type C
CEN/TS 16415:2013
ASSP/ANSI Z359.6 & CSA259.16

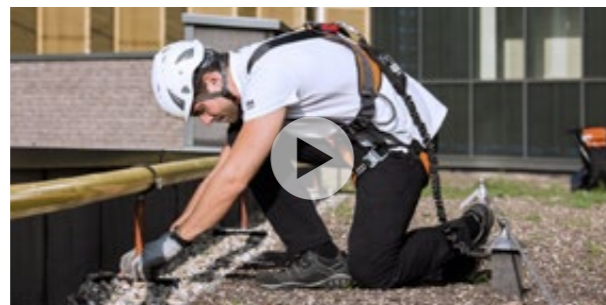


Case Studies



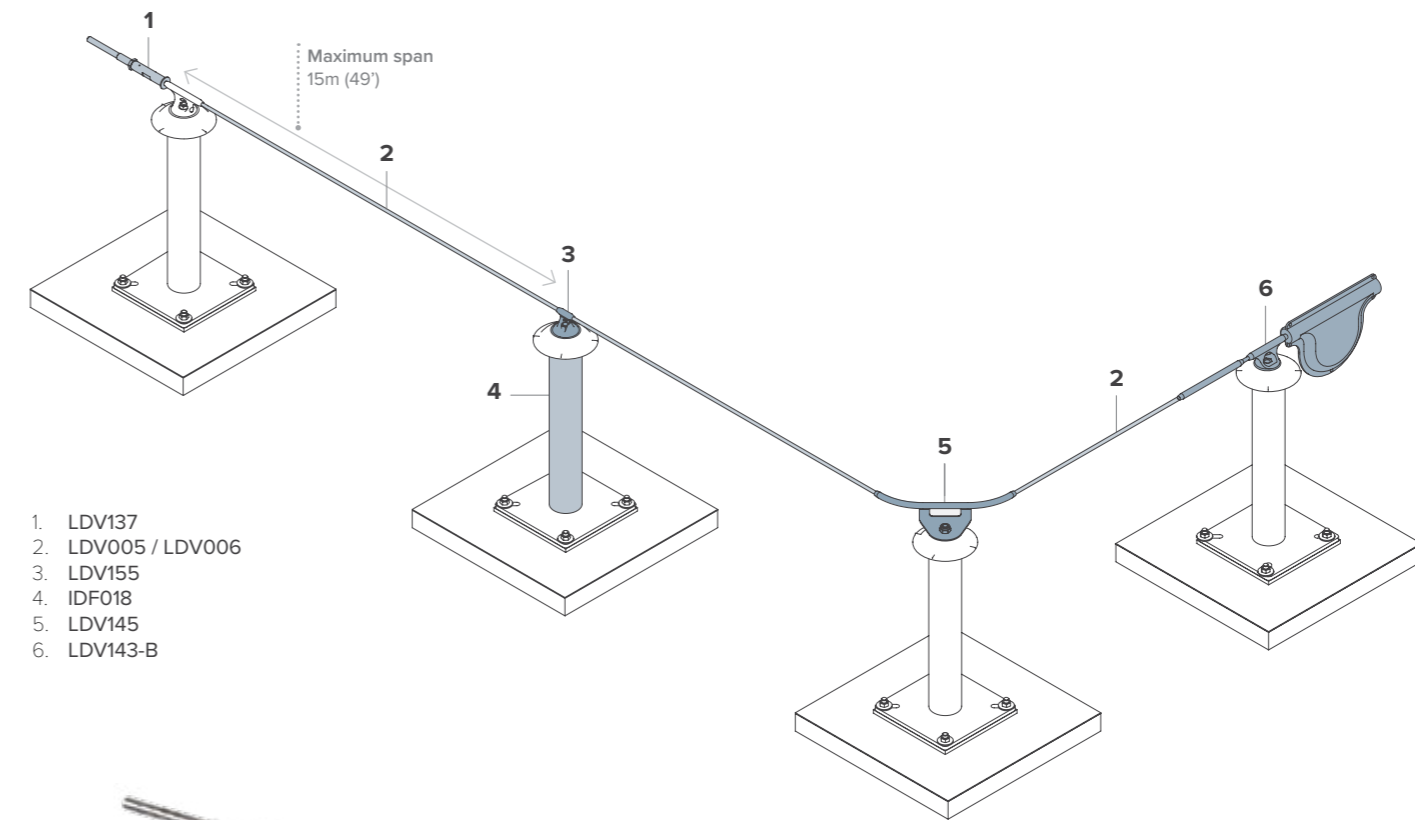
Click on the picture to see all case studies related to this product.

Videos



Click on the picture to watch the full video and others related to this system in our YouTube channel

SecuRope EVO lifeline on posts



The user stays connected while moving along the lifeline and passing the intermediate anchors, having an excellent freedom of movement and reaching safely any point of the structure.

For rigid structures such as concrete or steel beams, the undeformable Fallprotec post is a safe choice.



LDV137, LDV155, LDV006, LDV081, IDF019 and LDV058

End anchor on post

The posts can be waterproofed using various techniques:

- LDV081 Waterproofing collar. This collar is set between the post and the lifeline anchor during the mounting of the lifeline. The water drips around the post as the collar deflects it.
- IDF081 flashing. This system is composed of a plastic base, a thermo-retractable sleeve and a prefitted roofing membrane.

ADVANTAGES

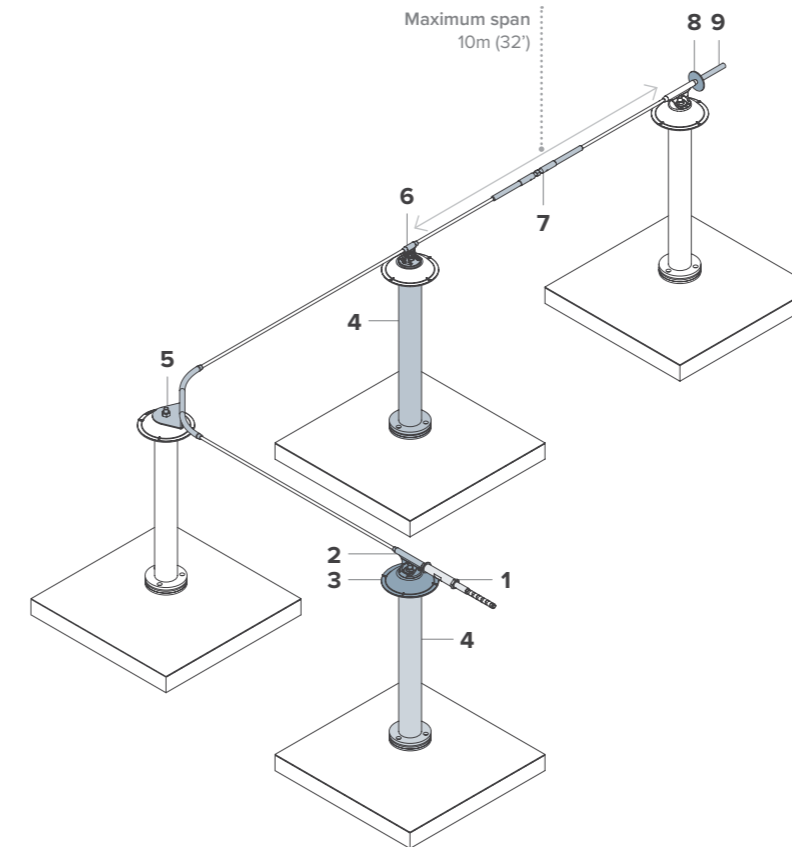
- For 2 users
- Semi-rigid post (deforms in case of fall)
- Compatible with SecuRope EVO, SecuRope 2012 and Secura
- Usable on various roofings (concrete, hollow concrete, cold deck, hot deck and wooden roof)
- Energy absorbing
- Can be mounted before the insulation to secure the construction site
- Easy to mount on trapezoidal metal sheet thanks to its self-drilling screws

Compliant with
EN 795:2012 Type C
CEN/TS 16415:2013
ASSP/ANSI Z359.6 & CSA259.16

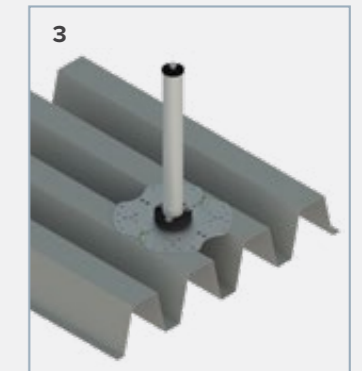
Applications



SecuRope EVO lifeline on Unipost

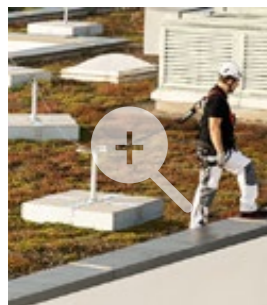


One post for most supports. This reduces the components in stock and simplifies rigging on site. The Unipost can also be used as fixing assembly for an anchor point.



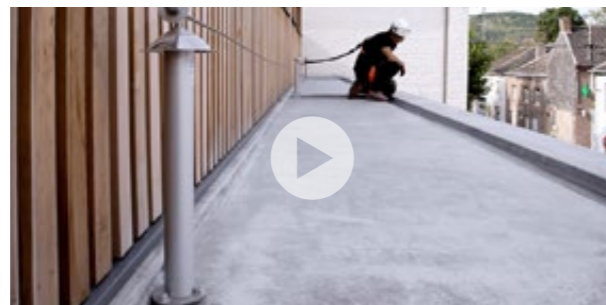
1. PRECAST HOLLOW ROOF
2. WOODEN ROOF
3. METAL SHEET
4. SELF-STANDING BLOCKANCHOR

Case Studies



Click on the picture to see all case studies related to this product.

Videos



Click on the picture to watch the full video and others related to this system in our YouTube channel

Unipost means « Universal post ». It may be installed on several types of roofing thanks to the universal fixing interface in laser cut plate.

The Unipost protects the roofing from possible damages when stopping a fall. Thanks to an energy absorbing device located at the foot of the post, only the post tube deforms and not the fixing interface.

1. LDV137
2. LDV155
3. LDV081
4. IDF031
5. LDV145
6. LDV155
7. LDV138
8. LDV108
9. LDV008

ADVANTAGES

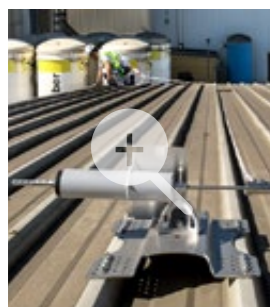
- For 4 users (EN) / 2 users (U.S.A. & Canada)
- Energy absorbing
- Absorbs dilatation and contraction of roof sheets
- Compatible with SecuRope 2012 and SecuRail Pro



Compliant with
EN 795:2012 Type C
CEN/TS 16415:2013
ASSP/ANSI Z359.6 & CSA259.16



Case Studies



Click on the picture to see all case studies related to this product.

Videos



Click on the picture to watch the full video and others related to this system in our YouTube channel

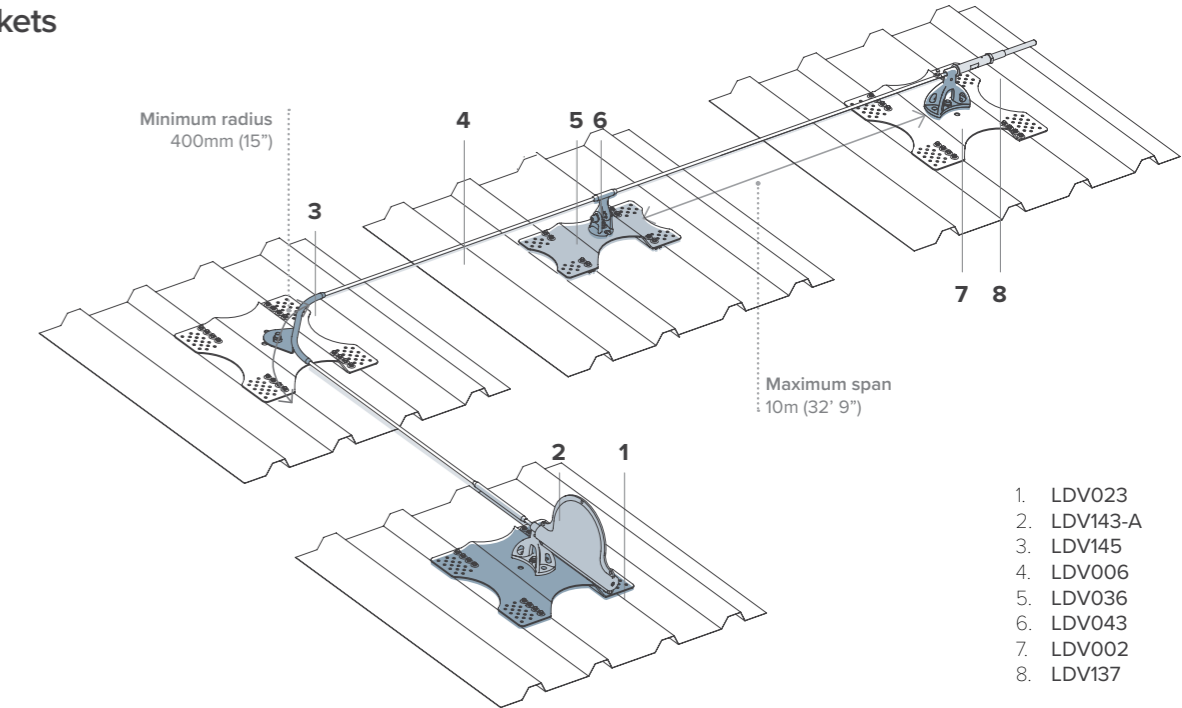
SecuRope 2012 on cold deck brackets

The fixing bracket for cold deck roofs has a unique design that distributes the load evenly.

Combined with the energy absorbing mechanism of the SecuRope 2012 lifeline, it is the best system for fragile roofs.

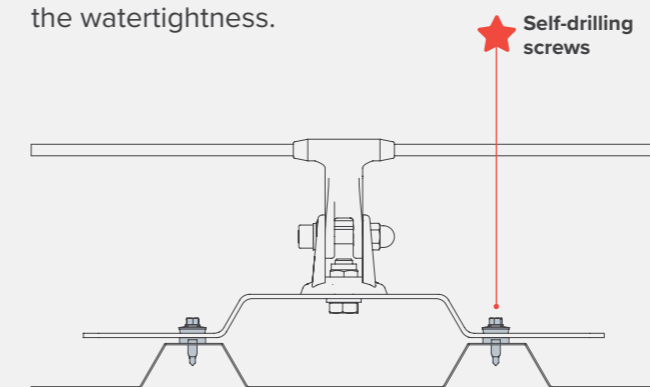
Supplied with self drilling screws specially designed for their high pull out strength.

Ideal for the maintenance and repair of any industrial facility, safe access to solar panels, ventilation outlets, roof skylights and gutters.



Fixing detail

The bracket is fixed on the corrugated metal sheet with self-drilling screws. The sealing tape in EPDM ensures the watertightness.



NEO Anchor on fixing assembly

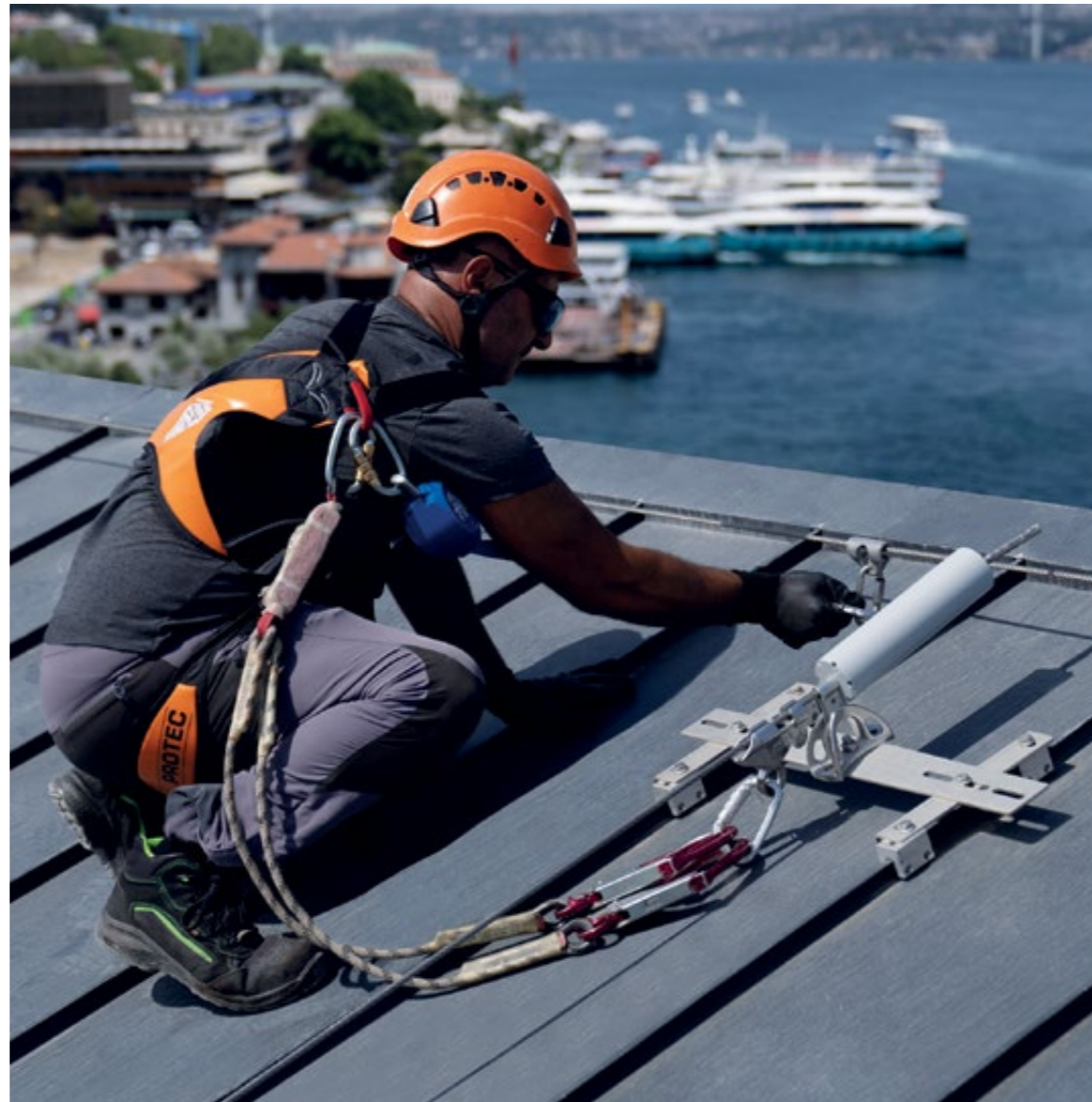
The bracket ensures a homogeneous distribution of the pull-out force on the cold deck roof. Stainless steel.

LDV043 (NEO) / LDV036



ADVANTAGES

- For 4 users (EN) / 2 users (U.S.A. & Canada)
- Energy and dilatation absorption
- No drilling needed
- Wide range of clamps for seams
- Aluminium and stainless steel components
- Also for copper
- Compatible with SecuRope 2012 and SecuRail Pro



Compliant with
EN 795:2012 Type C
CEN/TS 16415:2013
ASSP/ANSI Z359.6 & CSA259.16



Case Studies



Click on the picture to see all case studies related to this product.

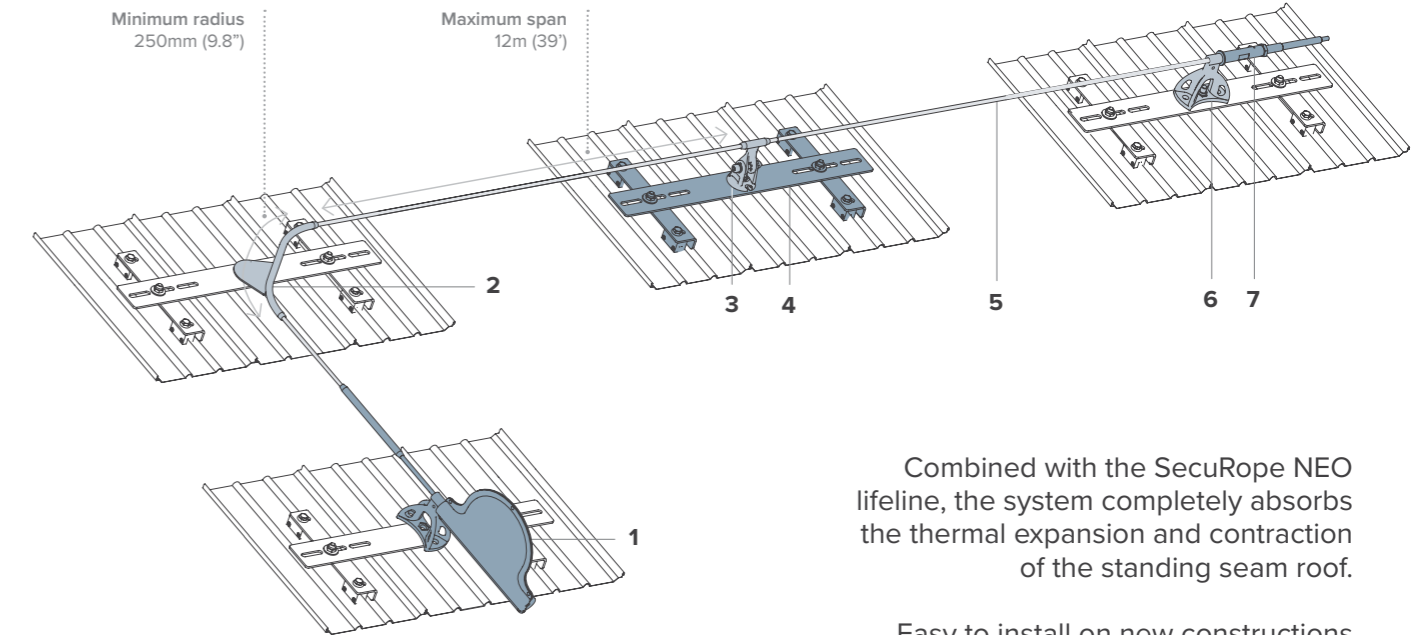
Videos



Click on the picture to watch the full video and others related to this system in our YouTube channel

SecuRope 2012 on standing seam roof

The fixing bracket for standing seam roof is clamped on the seam and does not require any perforation. The clamps combine high pull out and shear strength.



1. LDV143-A
2. LDV145
3. LDV043
4. IDF060
5. LDV005/
LDV006
6. LDV002
7. LDV137

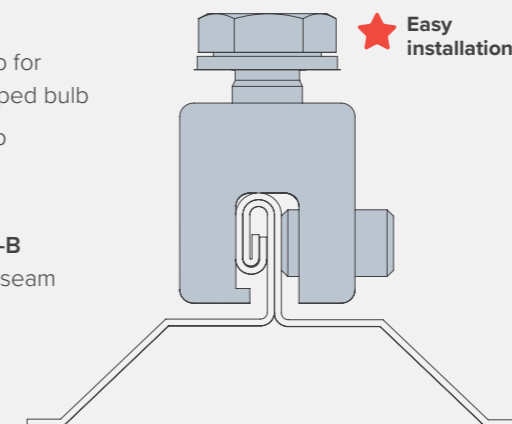
Combined with the SecuRope NEO lifeline, the system completely absorbs the thermal expansion and contraction of the standing seam roof.

Easy to install on new constructions or existing buildings.

Fixing clamps

Fallprotec provides different clamps to match the corresponding standing seam roof:

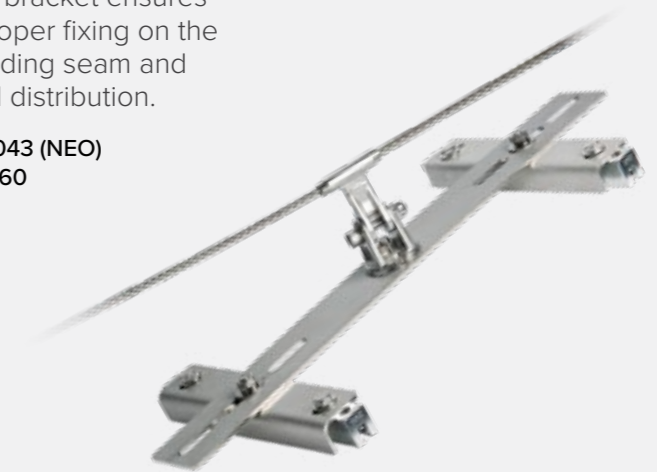
- IDF042 S5-E** clamp for standing seam roof with double folds
- IDF045 S5-Z** clamp for standing seam shaped bulb
- IDF043 S5-S** clamp for standing seam with double folds
- IDF041 Copper S5-B** clamp for standing seam with double folds



NEO Anchor on fixing assembly

The bracket ensures a proper fixing on the standing seam and load distribution.

LDV043 (NEO)
IDF060



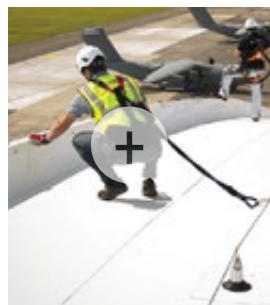
ADVANTAGES

- For 4 users (EN) / 2 users (U.S.A.&Canada)
- Undeformable
- Energy absorbing
- Can be retrofitted
- Compatible with all bituminous membranes
- Compatible with TPO, FPO, EPDM
- Reinforced toggle bolt
- Compatible with PVC-P membranes
- Compatible with SecuRope 2012 and SecuRail Pro

Compliant with
EN 795:2012 Type C
CEN/TS 16415:2013
ASSP/ANSI Z359.6 & CSA259.16



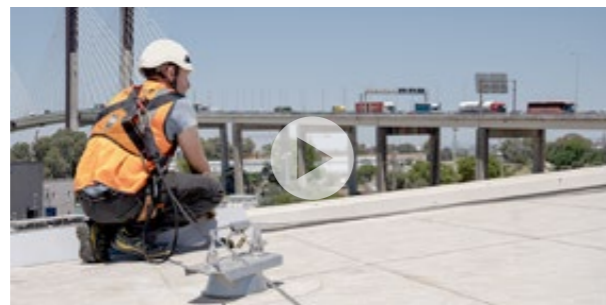
Case Studies



Click on the picture to see all case studies related to this product.



Videos



Click on the picture to watch the full video and others related to this system in our YouTube channel

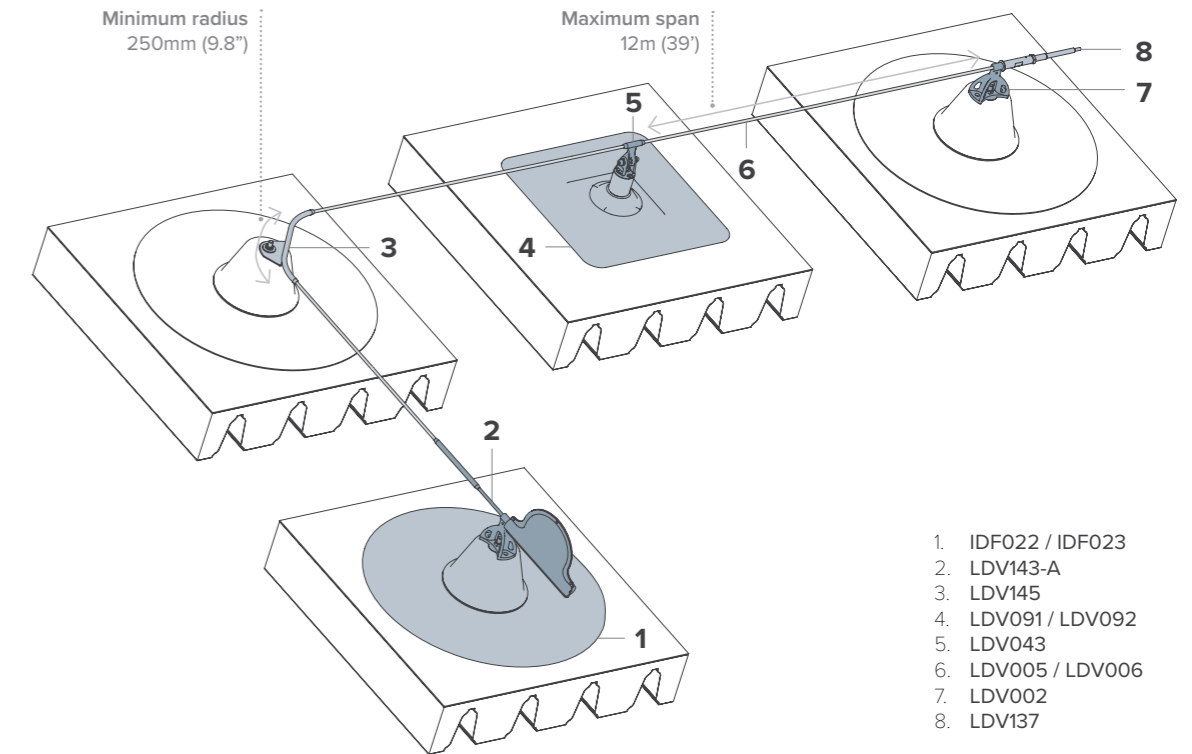
Securope 2012 on hot deck brackets

The Multipost and SpotAnchor are designed for hot deck roofs.

High resistance toggle bolts enable the fixing on corrugated metal sheets, wooden panels or precast concrete.

Only the toggle bolt passes through the isolation, then thermal bridges are minimized. The roofing collar, in bitumen or PVC-P, is prefitted in the factory to guarantee the waterproofness.

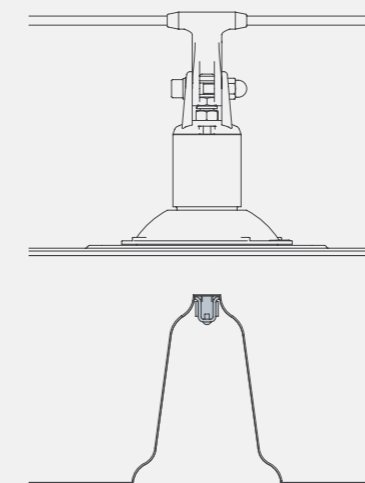
Easier to retrofit on existing buildings.



1. IDF022 / IDF023
2. LDV143-A
3. LDV145
4. LDV091 / LDV092
5. LDV043
6. LDV005 / LDV006
7. LDV002
8. LDV137

Fixing detail of SpotAnchor

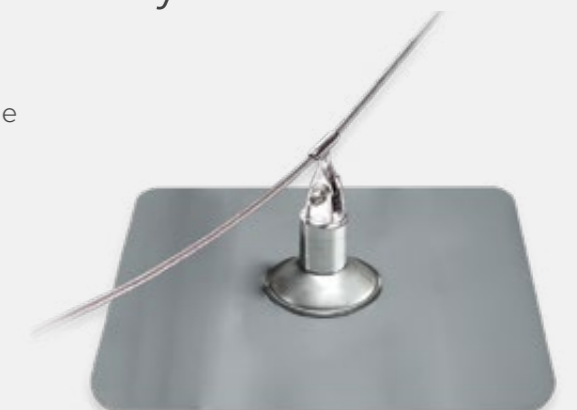
The SpotAnchor is fixed by a reinforced toggle bolt FAS005. This allows a distribution of forces on a large surface.



NEO Anchor on SpotAnchor fixing assembly

For modern constructions with wooden panels, the SecuRope lifeline is installed on SpotAnchor.

LDV043 (NEO) / LDV092



ADVANTAGES

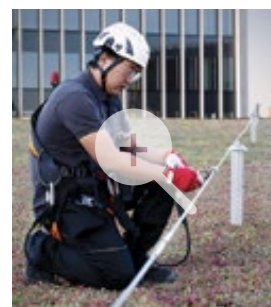
- For 2 users
- Compatible with SecuRope EVO
- Easy installation
- Preserves the roof's isolating properties
- Stainless steel anchor point
- No perforation of roofing membrane
- Possibility of custom-made solutions with the Fallprotec's engineering department

Compliant with
EN 795:2012 Type C & Type A
CEN/TS 16415:2013

Applications



Case Studies



Click on the picture to see all case studies related to this product.



Videos

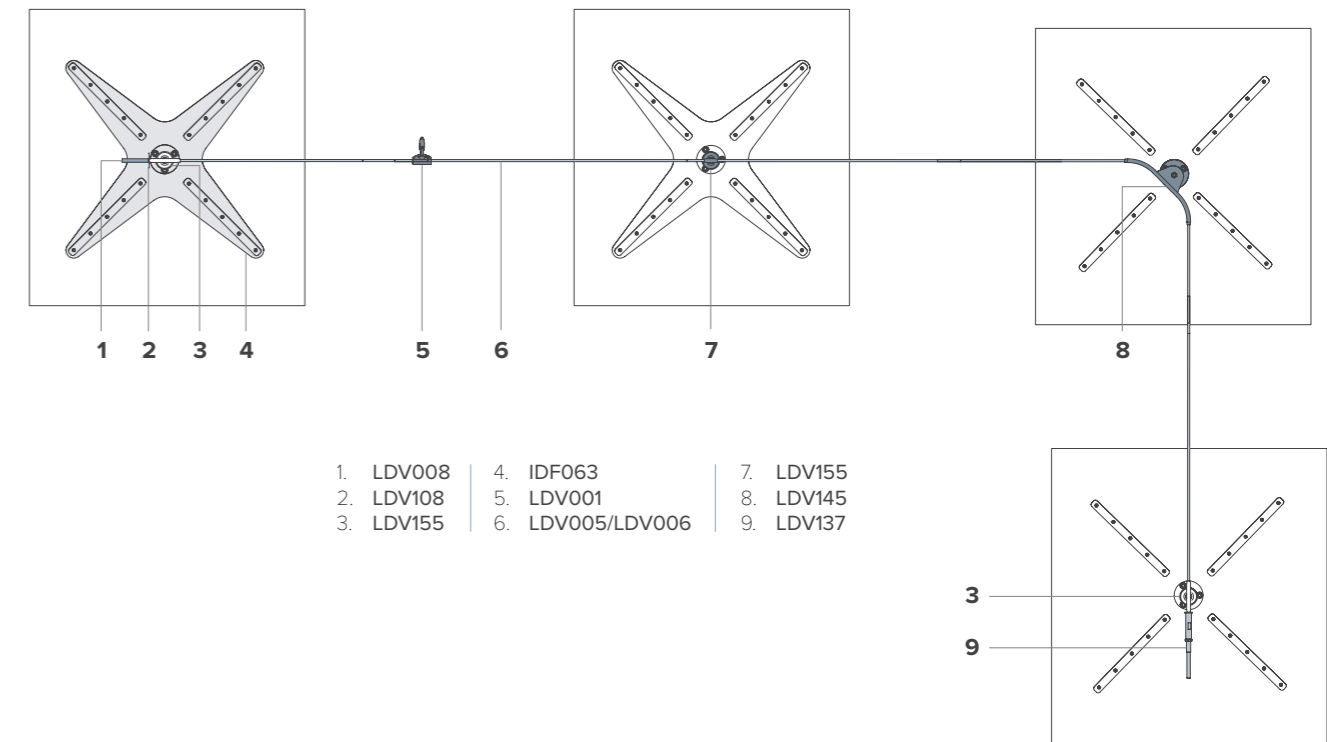


Click on the picture to watch the full video and others related to this system in our YouTube channel

Horizontal Unipost lifeline for green roofs

The Unipost for green roof is either used as anchor point for one or two persons or as support for the lifeline. It can be used on horizontal roofs up to a slope of 5°. The waterproofing, roof insulation and roof structure remain intact.

Substrate or gravel covers the mat, ensuring the lifeline's stability.



Absorbing energy by deformation in case of fall

Unipost on fall arrest mat

The M12 threaded bolt allows the attachment of an anchor point for one or two persons or a Securope anchor.

IDF063 / IDF067

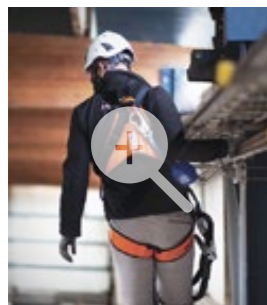
ADVANTAGES

- For 4 users (EN) / 2 users (U.S.A. & Canada)
- Easy and quick installation
- Undeformable
- Smooth movements along the lifeline
- Stainless steel
- Harmonized design for standard beams with a flange from 50 to 300mm (2" to 11.8")
- Clamping perpendicularly or in parallel to the axis of the exerted force
- Compatible with SecuRope 2012, SecuRope EVO, Secura, SecuRail Pro and SafeAccess

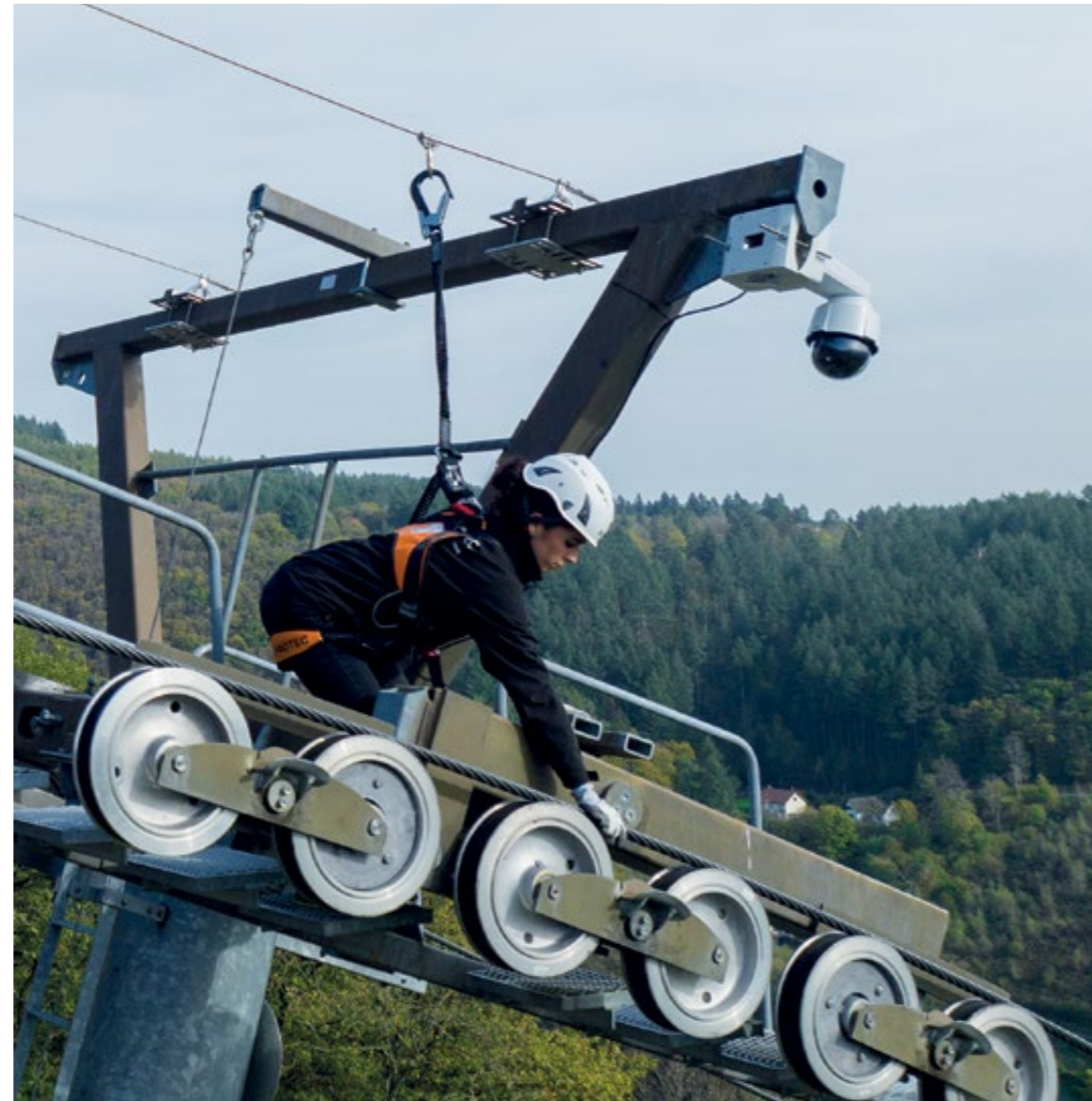
Compliant with
EN 795:2012 Type C
CEN/TS 16415:2013
ASSP/ANSI Z359.6 & CSA259.16



Case Studies



Click on the picture to see all case studies related to this product.



Videos

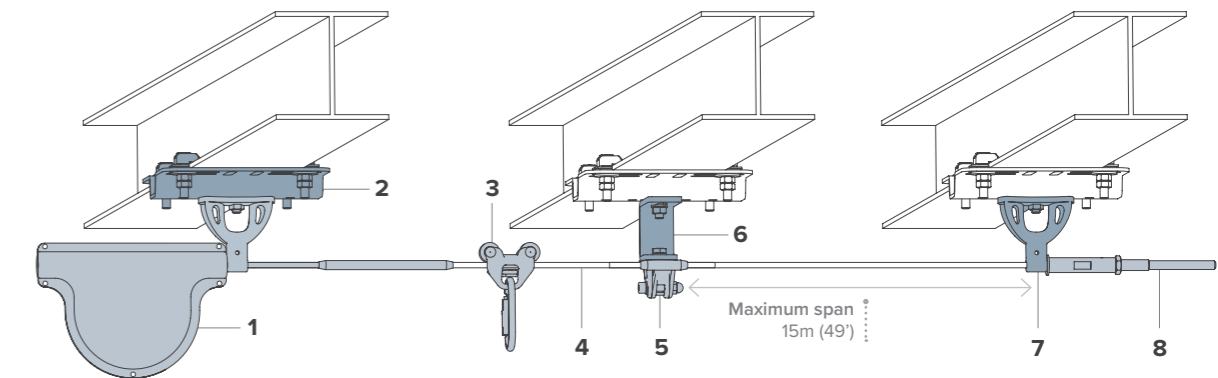


Click on the picture to watch the full video and others related to this system in our YouTube channel



Fallprotec's engineering department adapts the SecuRope system to cope with any particular requirement of a project.

Horizontal SecuRope 2012 lifeline on steel beam



The SecuRope 2012 lifeline can be attached to beams through a system of clamps. Using this type of fastening enables a solid fixation of the lifeline without drilling. Particularly useful for industrial configurations, the SecuRope 2012 lifeline with crimping rings can stop a fall with very low cable deflection.

1. LDV143-A
2. IDF050
3. LDV141=D
4. LDV005
5. LDV043
6. LDV134
7. LDV002
8. LDV137



Fixing assembly for a vertical fastening on a steel column using clamps. Compatible with all types of Fallprotec anchoring devices for horizontal or inclined lifelines.

IDF051



Fixing assembly for fastening on a steel beam using a backplate. Compatible with all types of Fallprotec anchoring devices for horizontal or inclined lifelines. Also usable on wood and on concrete.

IDF055

ADVANTAGES

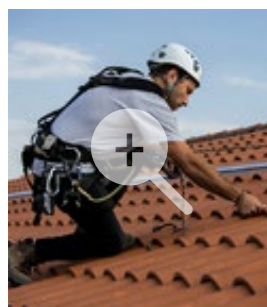
- For 2 users
- Span up to 6m (20')
- 1,7 kg/m (1.14lbs/ft)
- Low deflection
- Anodized aluminium
- Absorbs dilatation / contraction
- Possibility of custom-made solutions with the Fallprotec's engineering department



Compliant with
EN 795:2012 Type D
CEN/TS 16415:2013
ASSP/ANSI Z359.6 & CSA259.16

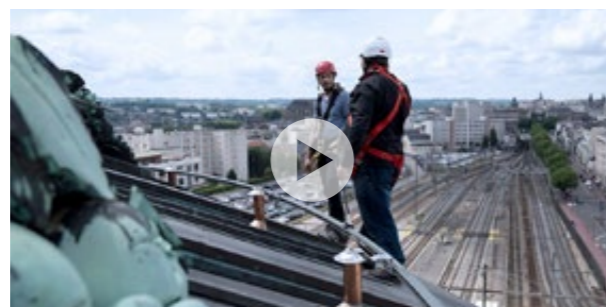


Case Studies



Click on the picture to see all case studies related to this product.

Videos

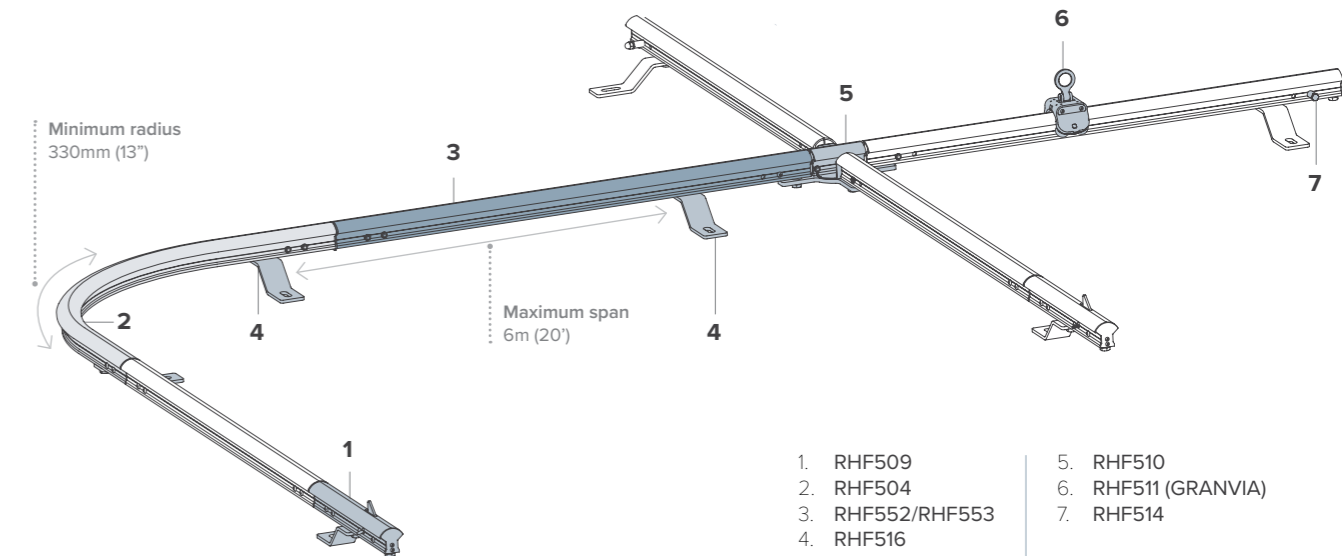


Click on the picture to watch the full video and others related to this system in our YouTube channel

Horizontal SecuRail Pro lifeline on ground

The SecuRail Pro is a rigid and versatile fall arrest rail. This unique profile has a high inertia that enables a 6 meter (20') span between supports.

It is ideal for work sites with low fall clearance.



Trolley GRANVIA

The rollers enable a smooth gliding of the trolley.

Trolley GRANVIA

The GRANVIA fall arrest trolley equipped with rollers glides smoothly along the track following the user's movement. Anti-derailment claws mounted between the rollers keep the trolley firmly on the track. The same trolley is used for ground, wall and ceiling configuration.

RHF511 (GRANVIA)

Overspeed trolley

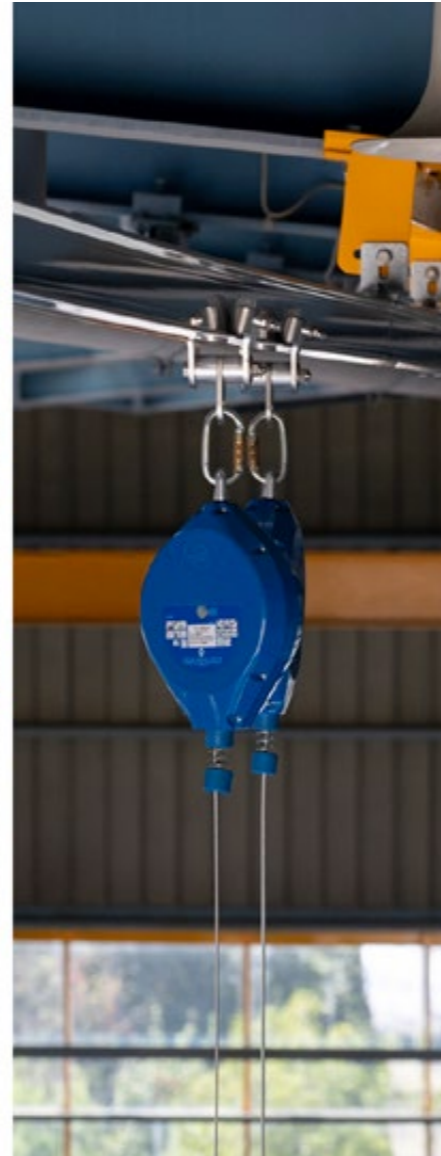
The trolley works for both inclined and horizontal lifelines. This allows the assembly of horizontal lifelines with sloped sections, all in one, avoiding the user's disconnection.

ADVANTAGES

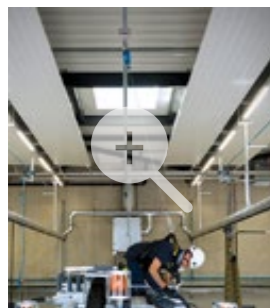
- For 4 users (EN) / 2 users (USA & Canada)
- For 2 users with Flexbow system
- 5kg/m (3,35 lbs/ft)
- Span of 6m (20')
- Undeformable
- ATEX certified Aluminium 6060T6
- Possibility to fold away the Flexbow and SafeAccess system when not in use
- Possibility of custom-made solutions with the Fallprotec's engineering department

Compliant with
EN 795:2012 Type D
CEN/TS 16415:2013
ASSP/ANSI Z359.6 & CSA259.16

Applications

Case Studies



Click on the picture to see all case studies related to this product.

Videos



Click on the picture to watch the full video and others related to this system in our YouTube channel

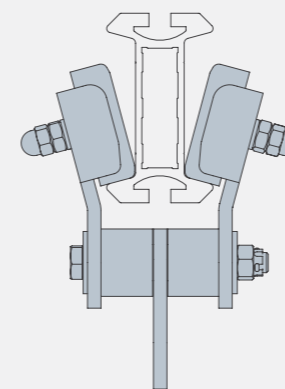
The SafeAccess is an undeformable fall arrest rail for industrial applications. Installed in overhead configuration, it is the most suitable system when the fall clearance is low.

ATEX certified for potentially explosive atmospheres, this rail is also ideal for petrochemical industries.

The aluminium rail is protected by a high-quality powder coated surface treatment that resists to marine environment.

The NAV 2 trolley equipped with rollers follows smoothly without any action from the end user.

Trolley NAV 2



The SafeAccess rail combined with a safety block enables the safest possible fall arrest.

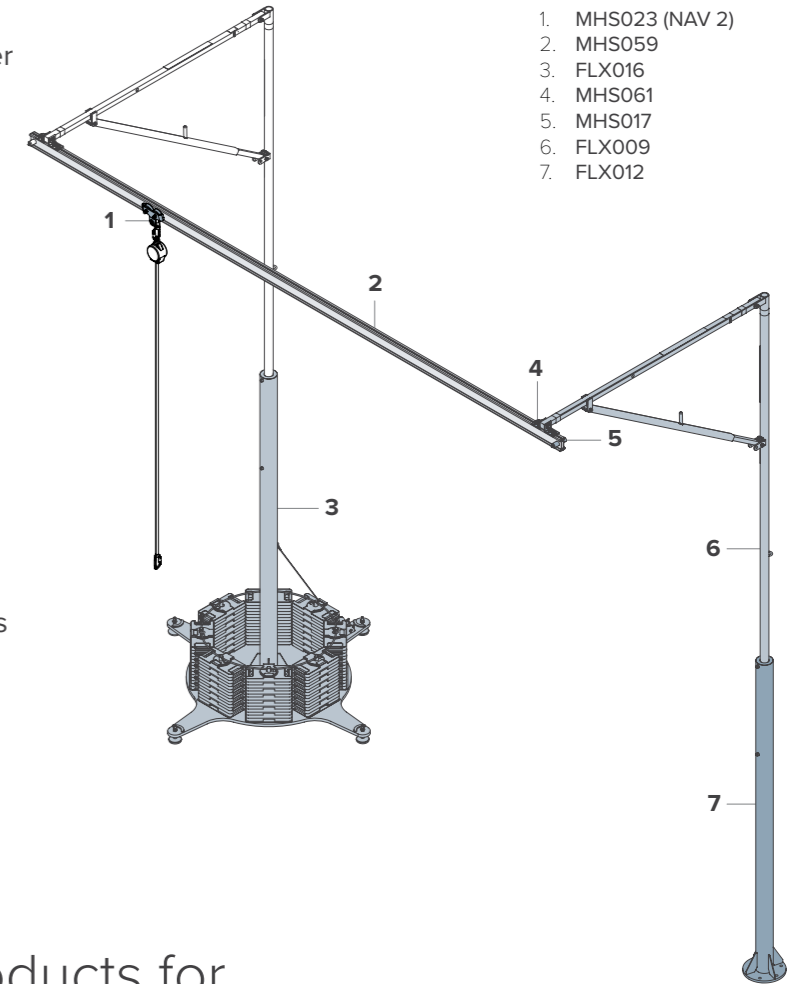
MHS023

SafeAccess fall arrest rail installed on Flexbow with counterweights and Flexbow on a post

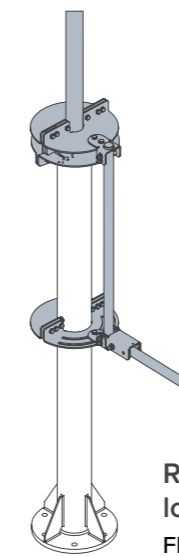
The Flexbow is a standardized outrigger beam to secure loading bays and machinery. Equipped with an integrated energy absorber, it is a lightweight and yet robust design for industrial applications with a minimum fall clearance of 4m (13').

Combined with the SafeAccess fall arrest rail for access on top of vehicles.

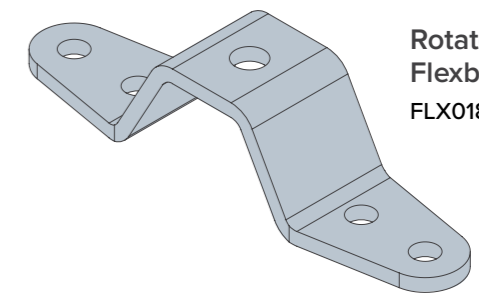
Several configurations (mobile, fixed on ground, fixed on wall...) are available.



Products for foldable system



**Rotatory lock kit
FLX017**



**Rotatory Junction
Flexbow-SafeAccess
FLX018**

ADVANTAGES

- Opening glider with safety lock
- Easy mounting
- Overpassing anchors
- Cable vibration absorption system
- Swagless system
- No deformation of the intermediate and top anchors
- Two options: Absorber integrated in the glider or on top anchor



Compliant with



EN353-1:2014 + A1:2017
OSHA 1910 + ANSI A14 -3

Applications



Case Studies



Click on the picture to see all case studies related to this product.

Videos



Click on the picture to watch the full video and others related to this system in our YouTube channel

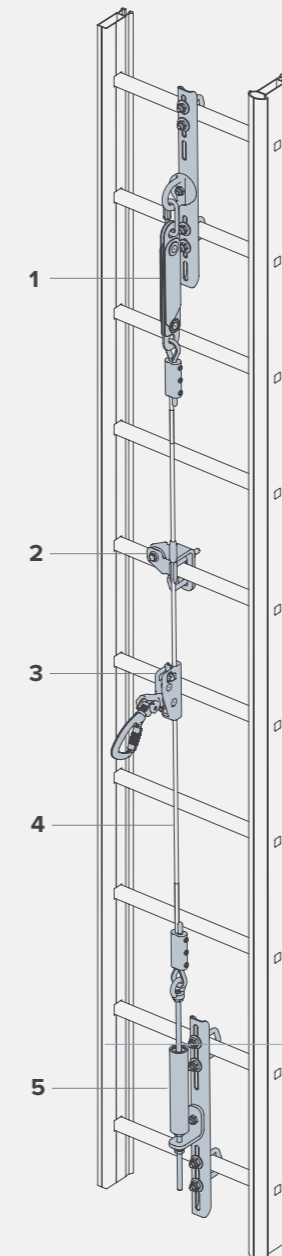
SecuRope QuickSet Vertical lifeline type 1 with absorber on line

The SecuRope QuickSet is designed for wind turbines, pylones, masts or industrial sites. This flexible system is used with stainless steel cables. The glider is openable and can be inserted or removed at any point of the cable.

Two types of fall arrest systems are possible with this lifeline.

Type 1: Energy absorber fixed on the top anchor. It is permanently fixed on the lifeline.

Type 2: Energy absorber fixed on the opening glider. The glider locks instantly in case of a fall, triggering the energy absorption device.



Ladder lifeline

1. LDV233
2. LDV241
3. LDV250
4. LDV006
5. LDV266



New ZIP!
fall arrest opening glider fitted with energy absorber

Passing smoothly through the anchors, the glider locks in case of a fall.

LDV255

ADVANTAGES

- Light aluminium rail
- Undeformable
- Freehand system
- On ladder or with fixed rungs (MastLadder)
- Easy use
- Trolley equipped with an energy absorber
- Possibility of custom-made solutions by the Fallprotec's engineering department

Compliant with



EN353-1:2014
EN353-1:2014 + A1:2017
OSHA 1910 + ANSI A14 -3

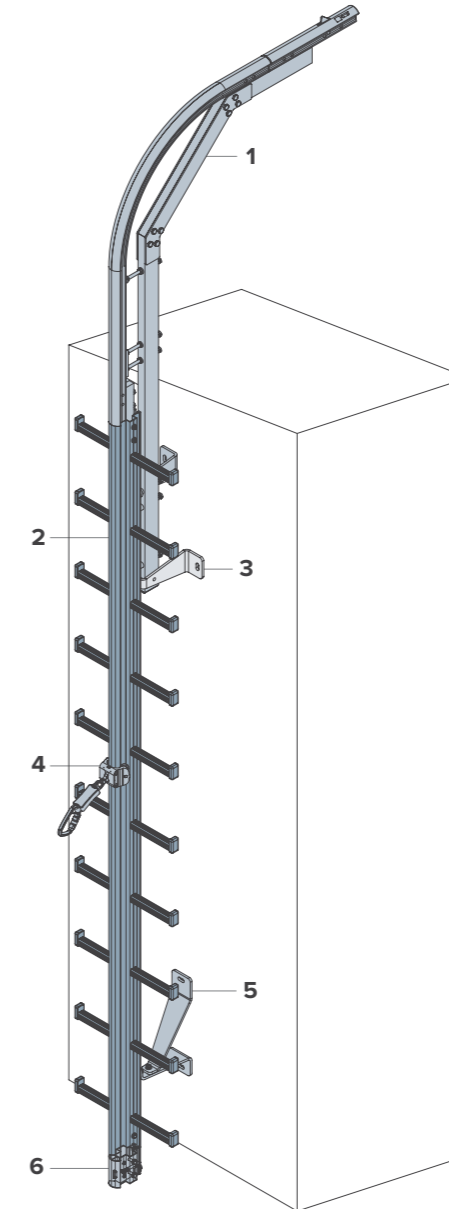
Applications



SecuRail Pro MastLadder and SecuRail Pro Vertical lifeline clamped on a ladder

The SecuRail Pro Vertical is a rigid lifeline to secure access on any structure. When clamped on an existing ladder it secures the end user much better than the regular safety hoops.

A MastLadder fitted with fixed rungs is designed for confined spaces, for industrial halls or for telecommunication towers. Undeformable stainless steel brackets connect the MastLadder to the structure.

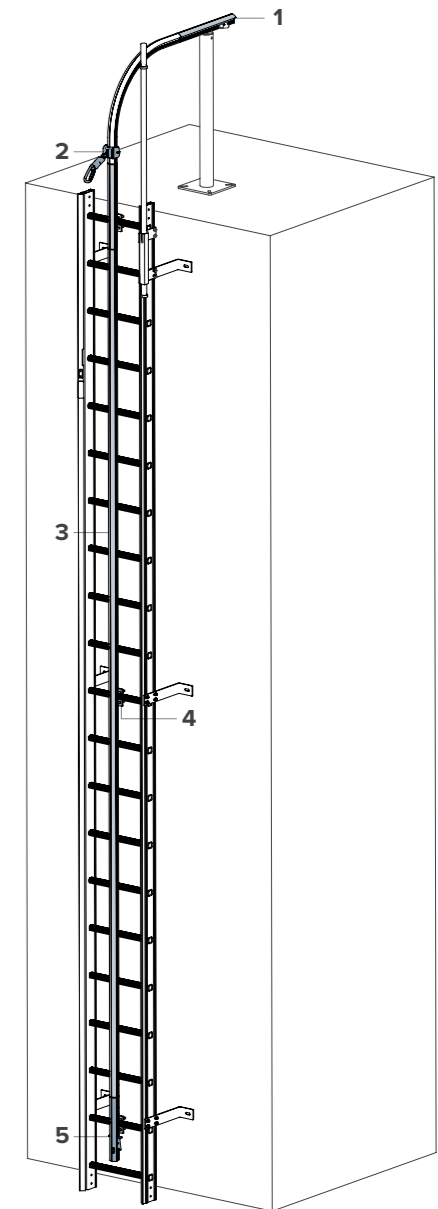


MastLadder lifeline

1. RHF715
2. RHF700
3. RHF712
4. RHF518 (GRANVIA 4)
5. RHF710
6. RHF706

SecuRail Pro

1. RHF520
2. RHF518 (GRANVIA 4)
3. RHF552 / RHF553
4. RHF521
5. RHF522



Case Studies



Click on the picture to see all case studies related to this product.

Videos



Click on the picture to watch the full video and others related to this system in our YouTube channel

ADVANTAGES

- Easy use
- Ergonomic
- Integrated rigid fall arrest
- Rigid and stable ladder
- Standard brackets in various lengths
- Anodized aluminium
- Possibility of custom-made solutions with the Fallprotec's engineering department

Compliant with



EN353-1:2018
OSHA 1910 + ANSI A14 -3

Applications



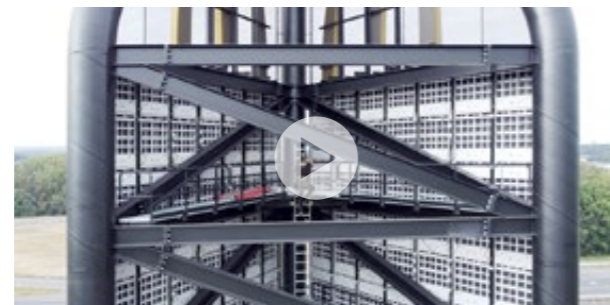
Case Studies



Click on the picture to see all case studies related to this product.



Videos



Click on the picture to watch the full video and others related to this system in our YouTube channel

SafeLadder Pro

The SafeLadder Pro works with the same rail system as the MastLadder.

A SecuRail Pro is integrated in the ladder upright. A GRANVIA 4 trolley is inserted on this rail, which means the user can comfortably climb the ladder up while being secured at all times.

Various SafeLadder types and accessories are available to fit any situation: temporary SafeLadder, platform to cross the parapet, fold-up section for confined spaces, telescopic SafeLadder and traversing SafeLadder along a SafeAccess rail.

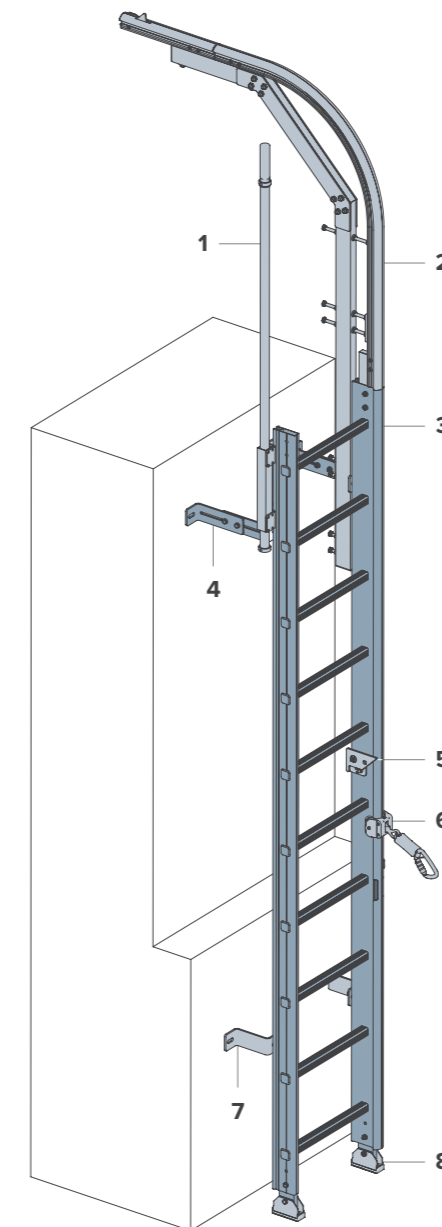
This ladder type is much safer than traditional safety hoop ladders. A foot rest is installed every 10m (33').

1. SAL245
2. SAL255
3. SAL201
4. SAL211
5. SAL235
6. RHF518-SLPRO
7. SAL216
8. SAL020

GRANVIA 4

Trolley equipped with energy absorber.

RHF518-SLPRO



ADVANTAGES

- Anchor points for every application
- 1 or 2 users depending on model and standard
- Undeformable
- Compatible with Fallprotec fixing brackets
- Stainless steel
- Abseiling solutions
- Possibility of custom-made solutions with the Fallprotec's engineering department

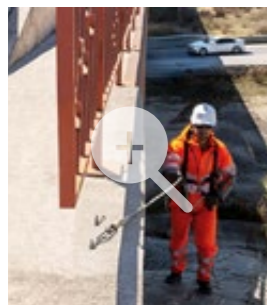


Compliant with
EN 795:2012 Type A
CEN/TS 16415:2013
ASSP/ANSI Z359.18

Applications



Case Studies



Click on the picture to see all case studies related to this product.

Videos



Click on the picture to watch the full video and others related to this system in our YouTube channel



Twinfix anchor point for two users

With a breaking strength above 30kN (5.620 lbf) it can stop a fall without any permanent deformation.

Reliable model for suspended rope access. Can be installed on ground, wall or ceiling.

LDV057



Twinfix XL anchor point for two users

With a breaking strength above 30kN (5.620 lbf) it can stop a fall without any permanent deformation.

Reliable model for suspended rope access. The large opening of the anchor point facilitates the connection of big carabiners. Can be installed on ground, wall or ceiling.

On concrete slab, the anchor point can be fixed with two independent bolts. On a metallic structure, it can be fixed with one central bolt.

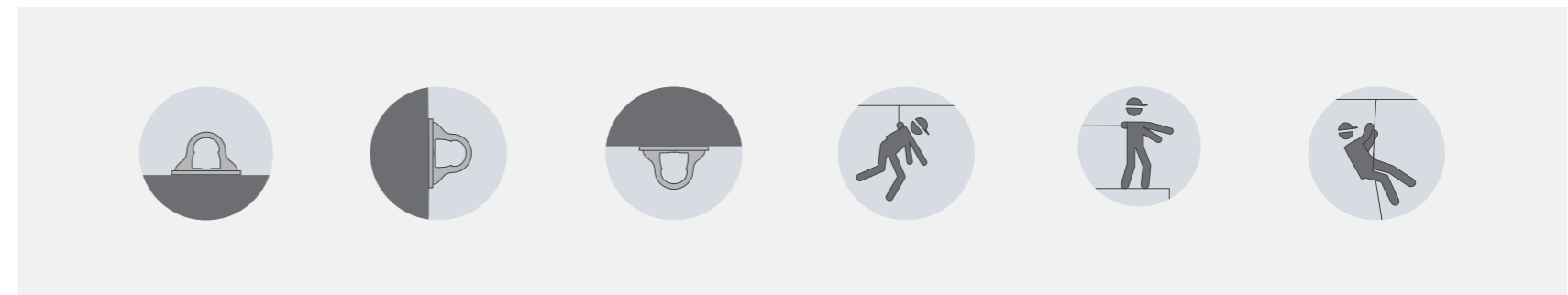
PTA016



Secura anchor point for two users

The Secura anchor point is permanently installed on a building or other structure to protect people that are at risk of falling when carrying out maintenance work. Certified for 2 users, this solution in robust stainless steel can be used on ground, wall and ceiling as well as for abseiling.

LDV140



ADVANTAGES

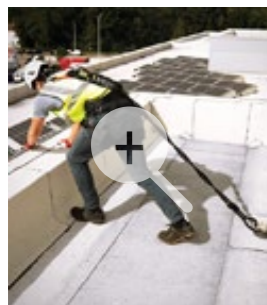
- Anchor points for every application
- 1 or 2 users depending on model and standard
- Undeformable
- Compatible with Fallprotec fixing brackets
- Stainless steel
- Possibility to retrofit on installation
- Possibility of custom-made solutions with the Fallprotec's engineering department

Compliant with
EN 795:2012 Type A
CEN/TS 16415:2013
ASSP/ANSI Z359.18

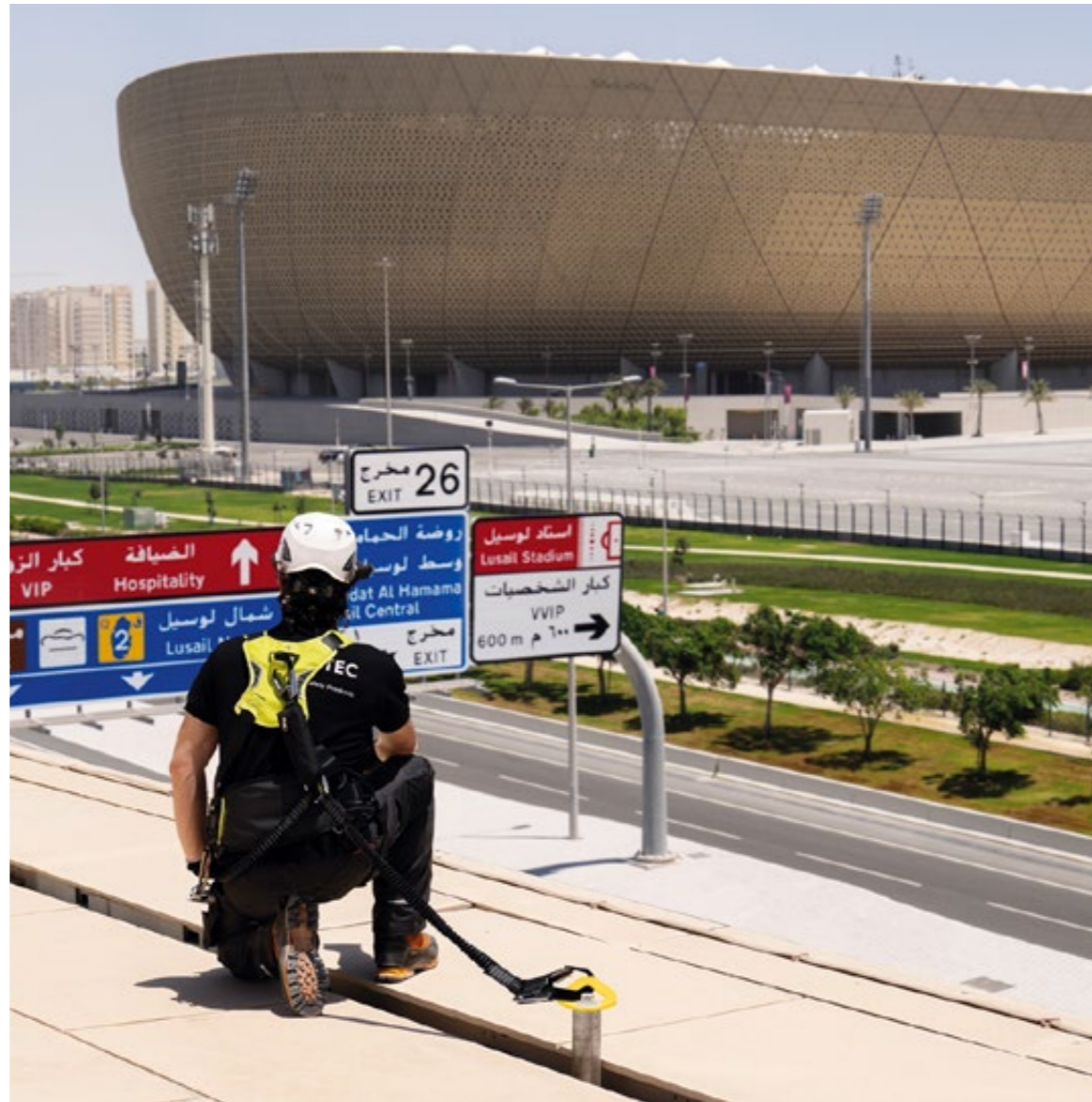
Applications



Case Studies



Click on the picture to see all case studies related to this product.



Videos



Click on the picture to watch the full video and others related to this system in our YouTube channel

SafeAnchor



The SafeAnchor is a spring loaded and discreet anchoring point to be fitted in aesthetic facilities.

The anchor is embedded in concrete and the anchoring eye appears by a simple pressure on the device.

Can be installed on ground and wall configuration.

Neat system to secure openable windows.

LDV055



Rotating high visibility anchor point

Yellow anchor point for 2 users in stainless steel and powder coated to increase visibility. Fixed by one M12 (1/2") bolt the anchor point is rotative to follow the end user. It can be installed on ground and wall.

LDV029



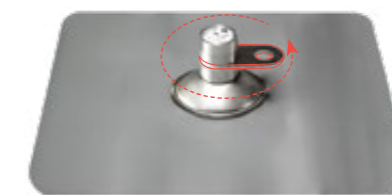
Anchor point with large opening for two users

The XL eyeplate enables the connection of big connectors thanks to its large opening. Usable on ground and wall.

PTA026



SpotAnchor



The SpotAnchor is installed on hot deck roofs to secure specific areas such as access zones, building corners or smaller roofs. The high resistance toggle bolt ensures long-lasting fixing to the corrugated metal sheet and minimises potential thermal bridges. The roofing collar, in bitumen or PVC-P, is pre-fitted in the factory to guarantee the waterproofness. The rotating anchor point follows the movement of the user.

LDV052



Luxemburg
FALLPROTEC SA

2-4 Rue Gustave Loosé - ZARO
8346 Grass
T: +352 26 55 09 30
F: +352 26 55 09 30 55
E: marketing@fallprotec.com

Spain
FALLPROTEC SL

C/ Eduard Calvet i Pintó 4
Pol. Ind. Vallmorena
08339 Vilassar de Dalt
T: +34 93 114 22 31
E: info@fallprotec.es

Italy
FALLPROTEC SRL

Via Giovanni Falcone 23
24050 Zanica Bergamo
T: +39 375 713 8515
E: va@fallprotec.com

USA
FALLPROTEC USA

3500 S Dupont Hwy
Dover, DE 19901
T: +1 205 388 0548
E: usa@fallprotec.com

Middle East
FALLPROTEC ME

JLT, Mazaya Business Avenue,
Tower BB1, Oce 1108
P. O. Box 487115
United Arab Emirates
T: +971 4 399 3764
E: eh@fallprotec-me.com

