

PN: SRL711311



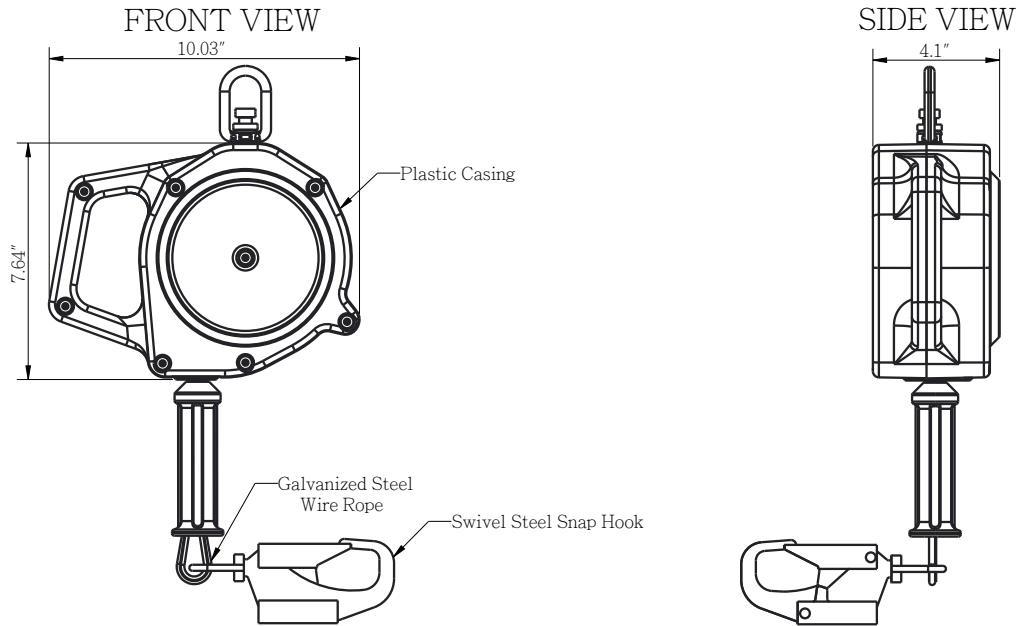
• Fall Protection • Competent Training • Netting • PPE

Phone: (504) 733-1808
Fax: (504) 733-2996
PalmerSafetyUS.com

TECHNICAL SPECIFICATIONS

SRD 30' GALVANIZED CABLE WITH SMALL HOOK

30' retractable galvanized cable, swivel top composite housing, 3/4" load indicator hook, 1/2" carabiner with tagline included. Blue housing. Meets or exceeds ANSI Z359.14-2014 Class B.



Tested as per ANSI Z359.14-2014 Class B

LENGTH: 30'

CABLE: Material: Galvanized steel wire rope diameter 3/16"

SIZE: 21.65"x10"x3.94

WEIGHT: 13.14 lbs.

CAPACITY: 130-310 lbs., up to 420 lbs

RELEVANT STANDARD: Meets or exceeds ANSI Z359.14-2014 Class B