

# Parapet Ladder Safety-Dock Instruction Manual

2-Piece Commercial Ladder Safety-Dock  
3-Piece Parapet Ladder Safety-Dock

Part ID: 71069  
Part ID: 71070

**Keep these instructions for future reference. Read and understand these instructions before using this product.**

The Parapet Ladder Safety-Dock is OSHA Compliant and can be installed on both parapet and flat roofs. If installing on flat roofs, see installation for Commercial Ladder Safety-Dock. Scan QR code for flat roof installation.



## Tools Required

- Drill
- 14" drill bit for metal or masonry
- Socket bits
- Wrench set
- Reciprocating saw and metal blade

## 2 - Piece Commercial Ladder Safety-Dock

### Part ID: 71069 - Box Contents:

- Parapet Ladder Safety-Dock with chains
- "L" bracket and 2 carriage bolts, washers & nuts
- Safety-Handles and mounting hardware
- 3 - 17" threaded rods with 6 nuts & washers and 3 fender washers, Brace and fasteners

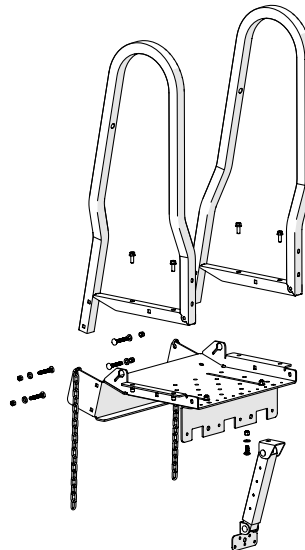
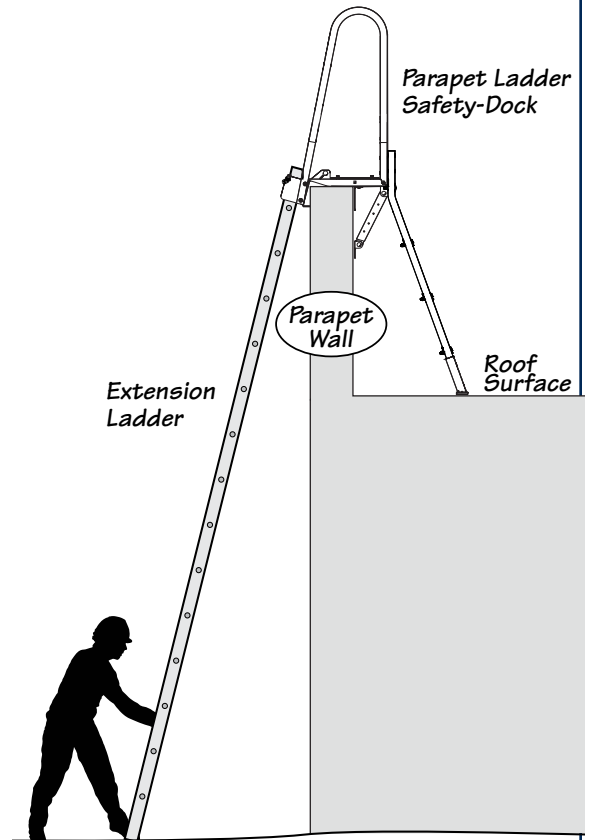
## 3 - Piece Parapet Ladder

### Part ID-71070 - Box 1 & 2 Contents:

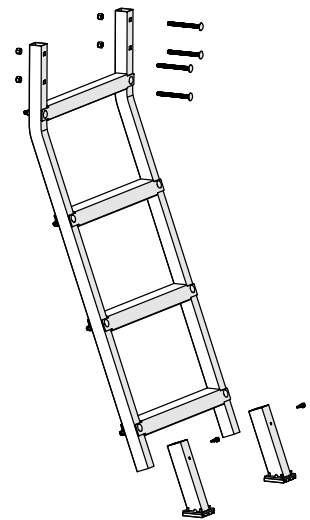
- Parapet Ladder Safety-Dock with chains
- "L" bracket and 2 carriage bolts
- Safety-Handles and mounting hardware
- 3 - 17" threaded rods with 6 nuts & washers and 3 fender washers, Brace and fasteners
- Parapet Safety-Ladder and 4 mounting bolts & nuts
- 2 Ladder feet and 2 self-tapping screws

## NOTE:

The 2-Piece Ladder Safety-Dock is designed for a 6" to 13" wide parapet. By flipping the "L" Bracket, it can work on up to a 15" wide parapet. However, the 3-Piece Ladder Safety-Dock (with ladder) only works on parapets 6" to 13" wide. Please call office for additional information.



**Box 1**  
2-Piece Commercial Ladder Safety-Dock



**Box 2**  
3-Piece Parapet Ladder Safety-Dock.



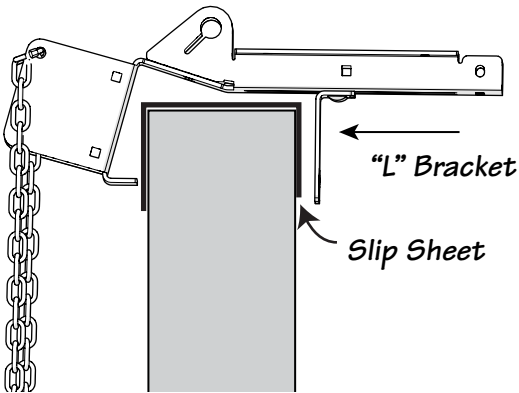
**WARNING:** This product can expose you to chemicals including Nickel, which is known to the State of California to cause cancer. For more information go to: [www.P65Warnings.ca.gov](http://www.P65Warnings.ca.gov)

Instruction Sheet #08369  
E1836, Rev. 5/25/21



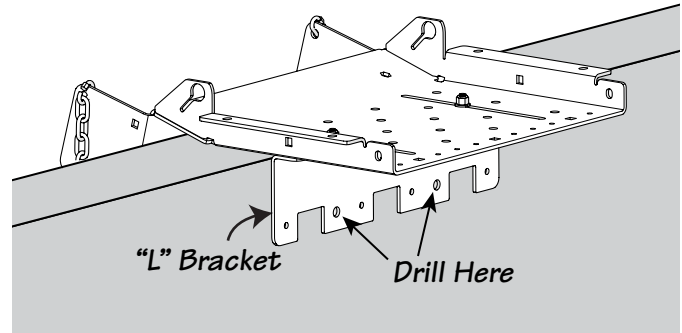
**Safety Rail Source, LLC**  
2570 Blvd. Of the Generals  
Norristown, PA 19403  
877.723.3766  
[www.safetyrailsource.com](http://www.safetyrailsource.com)

# Parapet Ladder Safety Dock



## Step 1

Install slip sheet on top of parapet.

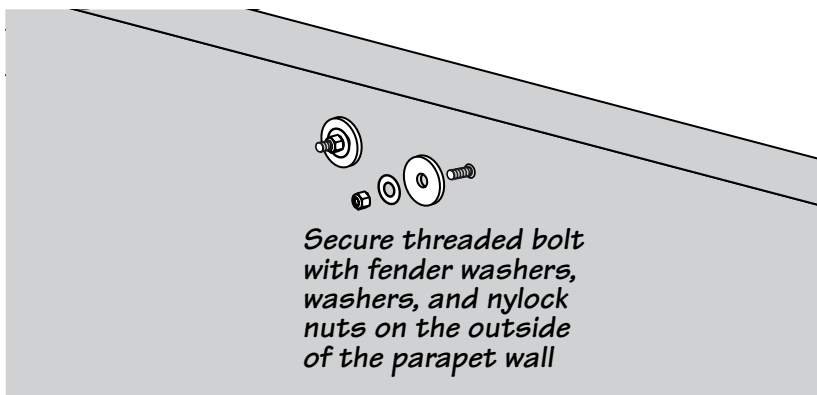


## Step 2

Attach "L" Bracket to the dock using two 3/8"x 1" carriage bolts, washer, and nylock nut. Orient "L" Bracket as shown to left.

### NOTE:

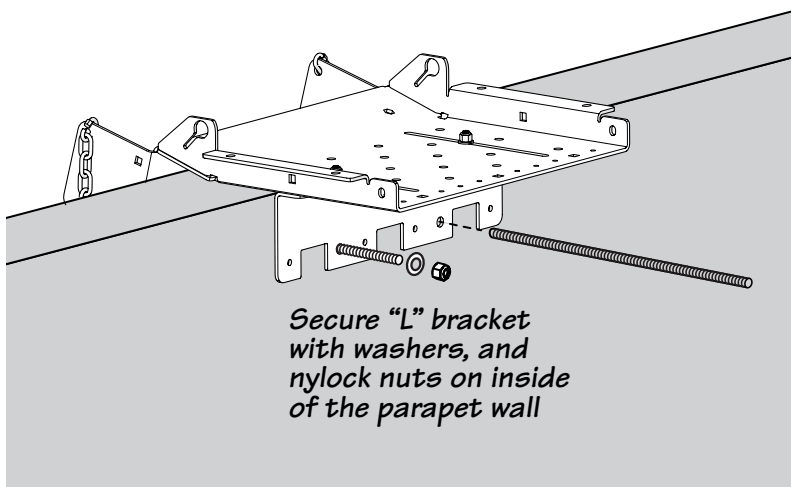
The 2-Piece Ladder Safety-Dock is designed for a 6" to 13" wide parapet. By flipping the "L" Bracket, it can work on up to a 15" wide parapet. However, the 3-Piece Ladder Safety-Dock (with ladder) only works on parapets 6" to 13" wide. Please call 877-723-3766 for additional information.



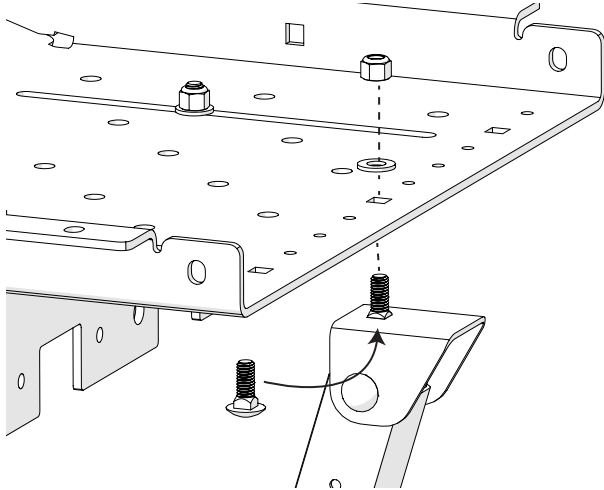
## Step 3

To fasten Ladder Safety-Dock to parapet, drill 2 holes thru parapet at location shown in Step 2. Insert 17" threaded rods thru parapet. Fasten with fender washers, washers, and nylock nuts on outside of parapet and washers and Nylock Nuts on inside of parapet.

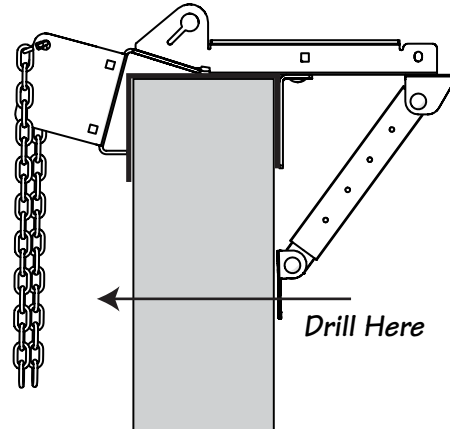
**IMPORTANT:** Cut excess bolts length off to the nut to eliminate snag points. Coat end of bolt with sealant or rust inhibiting paint.



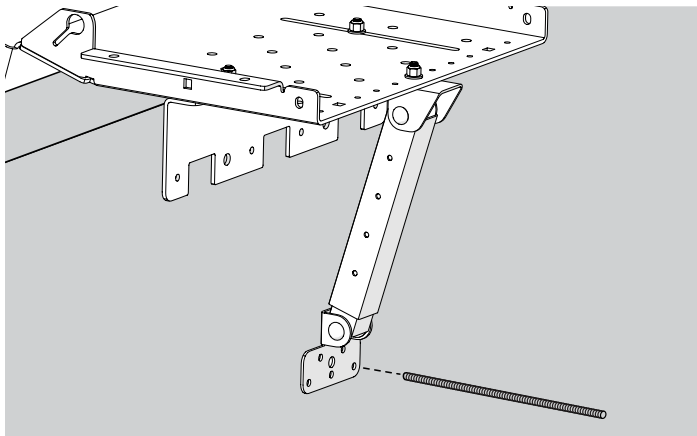
# Parapet Ladder Safety Dock



**Step 4**  
Install Brace. Fasten top of Brace to the Dock using a 3/8" x 1" carriage bolt, bolt head down and nut up.

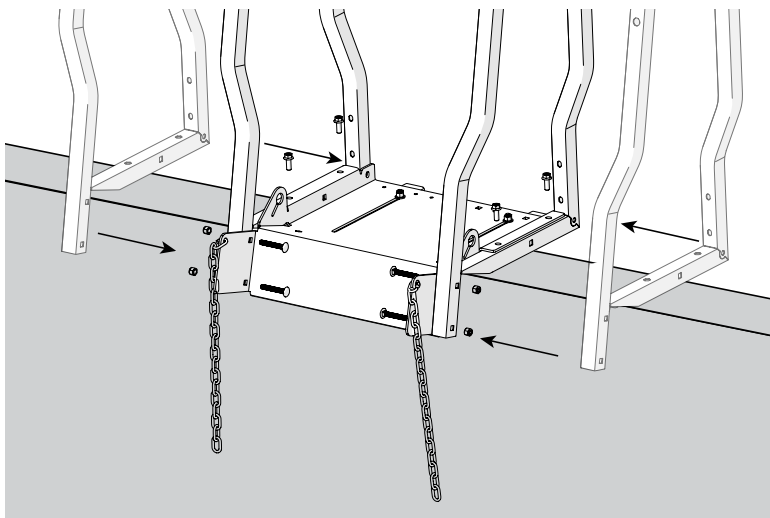


**Step 5**  
Adjust the Brace against the parapet wall. Mark wall and drill thru parapet.



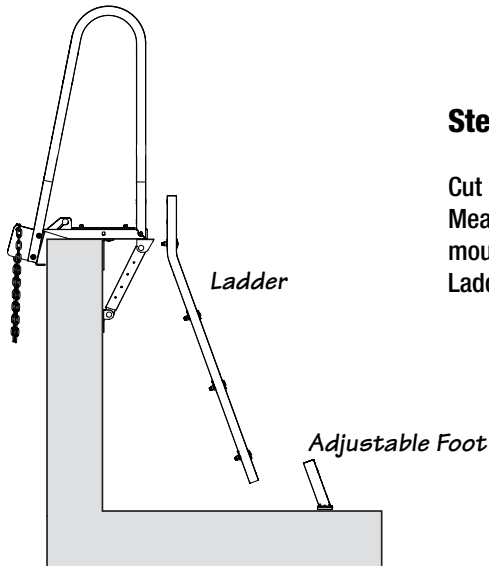
**Step 6**  
Fasten bottom of brace with fender washers, washers, and nylock nuts on outside of parapet and washers and nylock nuts on inside of parapet

**IMPORTANT: Cut excess bolts length off to the nut to eliminate snag points. Coat end of bolt with sealant or rust inhibiting paint.**



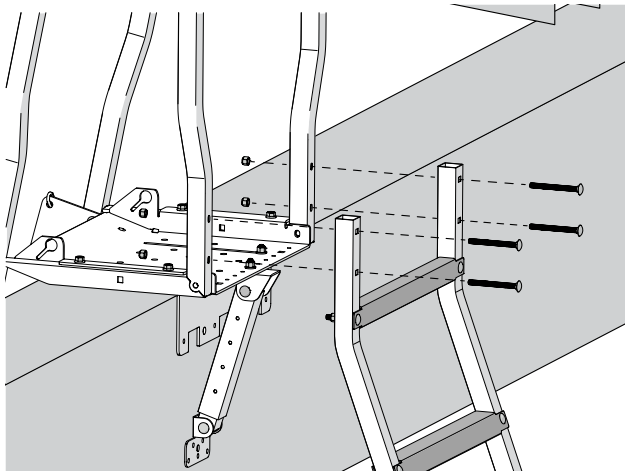
**Step 7**  
Install Handles. Slide handles between Safety-Dock and parapet as shown left. From the top of the Safety-Dock, fasten handles using two 3/8" x 1" hex head screws each handle. From the side of the Safety-Dock, fasten handles using two 3/8" x 2-1/2" carriage bolts, washers and nylock nuts each handle.

# Parapet Ladder Safety Dock



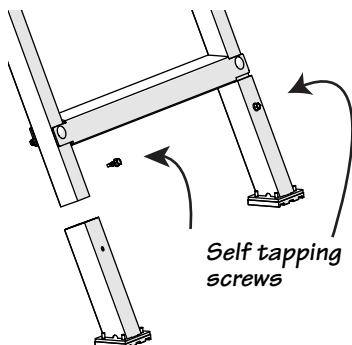
## Step 8

Cut Ladder to size. Place ladder on roof and rest against Ladder-Dock. Measure excess ladder from top mounting hole in ladder to top mounting hole on Handle. Cut excess ladder length from the bottom of Ladder. Slide adjustable feet onto bottom of ladder.



## Step 9

Attach Safety-Ladder to the Safety-Dock with (4) 3/8" x 4" carriage bolts and 3/8" washers and nylock nuts.



## Step 10

Extend the ladder feet down making sure they are touching roof surface, fasten to the ladder using 1/4" x 3/4" self-tapping screws.