



In Partnership With

TIE DOWN

S A F E T Y

EST. 1969

2021

We Own The Edge™



TABLE OF CONTENTS

MOBILE FALL PROTECTION SYSTEMS

Penetrator X Series Products	4
Penetrator X3	6
Penetrator X5 Original	8-9
Penetrator X5 Pro	10
Penetrator X5 Multi-Plus	12
Penetrator X5 Sentinel	14
Bigfoot	16
Squatch	18
Purpose of Mobile Fall Protection	22
Roofing Carts	24

PASSIVE FALL PROTECTION

Passive Fall Protection	26
Universal Guardrails	28
Wheeled Adjustable Gate	34
Adjustable Guardrails	35
Toe Boards	35
Color Options	36
Guardrail Tranzcart	38
Replacement Rubber Feet	39
Safety Locking Pins	39
Universal Base Dolly	39
Zip Rail System	40
EFPS System	42
EFPS Set with Bracket Kit	44
EFPS Set with Post Kit	44
EFPS Elevator Protection System	46
Slab Gripper	47
Parapet Wall and Guardrail	48
Steep Slope Guardrail	49
Rake Edge Bracket	49
SkyCage Pedestrian Base and Post	50
Zip Rail Pipe Fittings	52

WARNING LINE SYSTEMS

Warning Line Systems	56
Zip Fast Warning Line Cart	58
Delineators	60
Galvanized Warning Line	61
Warning Line Pennants	61
Permanent Warning Line	62
Folding Warning Line	63

ROOF TOP SAFETY

Hatch Railing	64
Ladder Hand Assist	67
Skylight Screens	68
Skylight Netting	71
2 & 3 Piece Ladder Safety-Dock	72
Crossovers	74

PERMANENT VERTICAL LADDER SYSTEMS

Fixed Ladder Fall Arrest System	76
Secure Rope	78
Securail Pro VII	79

COMMERCIAL FALL PROTECTION ANCHORS

Commercial Roof Anchors	80
Hippo Anchor	84
HitchClip	86
4-Way Roof Anchor	87
2-Way Standing Seam Anchor	87
Door Jamb Anchor	88
Parapet Roofing Anchor	89

JOB SITE SAFETY

Job Site Safety	90
Alsipercha	92
Alupercha	93
Alsipercha Components	95
Alsipercha Counterweight MF	96
MBU - Mobile Base Unit	97
Safeaccess Fall Arrest System	98
Site Safety Tower	100
TranzVolt Solar Tilt Carriage	102
TranzVolt Roofing Carriage	103

LADDER SAFETY

Commercial Ladder Safety Dock	104
Ladder Safety-Legs	105
Ladder Stability Anchor	106

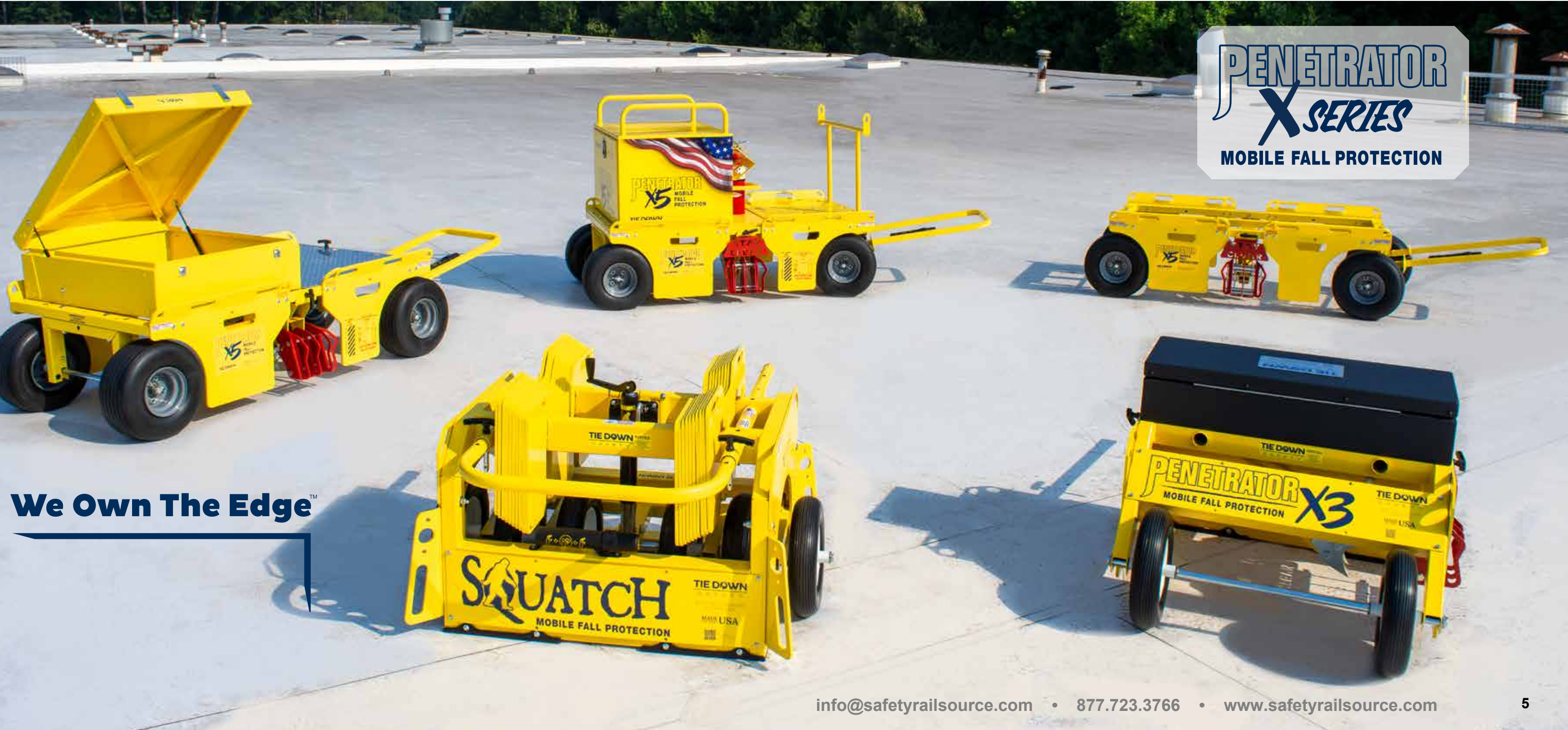


MOBILE FALL PROTECTION SYSTEMS

Tie Down is the market leader as a manufacturer of Mobile Fall Protection Systems. The Tie Down Mobile Fall Protection Systems allow contractors to maintain valuable productivity without sacrificing safety. In fact, our systems increase productivity. Simple to use, lift into place, click in, and go!



- Up to 7 workers protected at a time
- Incorporate horizontal lifeline use
- Simple to use
- Keep workers moving
- Made in U.S.A.



PENETRATOR
X SERIES
MOBILE FALL PROTECTION

We Own The Edge™

MOBILE FALL PROTECTION SYSTEMS

PENETRATOR* X3

The Penetrator X3 mobile fall protection system offers unparalleled portability while being the lightest system on the market at 425 lbs. The X3 lifts into place allowing the users to quickly snap in and get to work. When the work moves, the X3 by Tie Down and quickly be relocated. A convenient locking tool box is also included. The best in class jobsite solution ships job-site ready on a standard pallet.



- Up to 5 workers at a time
- Hassle free use
- Includes locking tool box
- Flat free 300 lbs. rated tires
- Quickly relocate
- Lightest cart on the market
- Jobsite ready, no fuss

Part ID: 72810



Gross Weight:
430 lbs.



PENETRATOR X3

Compliance:
OSHA 1926.502
ANSI/ASSE
Z359.6-2009(D)



45% LIGHTER THAN
THE COMPETITION WITH
GREATER PROTECTION

**NEW
PRODUCT**

PENETRATOR X3 MOBILE FALL PROTECTION



KEY FEATURES



Standard locking tool box keeps safety and equipment secure and dry for later use.



Retractable handles allow for quick storage as well as relocation when moving on the site.



Made in U.S.A. steel penetrator feature insures proper functioning when activated during a fall.

MOBILE FALL PROTECTION SYSTEMS

PENETRATOR X5 ORIGINAL

Lift, Click & Go!

Tie Down manufactures the best in class mobile fall protection systems. Contractors often need safety solutions that offer versatility while being easy to use. The revolutionary Penetrator X5 ships job-site ready and safely protects up to seven workers at a time. Weighing less than 550 lbs., the PX5 provides fall arrest safety for 5 workers and an additional 2 workers in restraint, all at same time. With front and rear breaking, the PX5 is engineered to penetrate the substrate in the event of a fall. The 1st and 5th tie-off points provide a 45 degree angled use making the PX5 the only system on the market tested at such an angle.



- 7 users. 5 fall arrest and 2 fall restraint
- Lightweight and portable weighing less than 550 lbs.
- For use on built-up, TPO, ISO, PVC, and EPDM
- Front and rear breaking system
- Forklift pockets
- TS22 Coated
- Area footprint: 48" x 90"
- Ships job-site ready
- Premium 500 lb. flat-free tires (2,000 lb total capacity)
- Easy-access instruction tube

Unassembled
Part ID: 72838

Assembled
Part ID: 72838A



Gross Weight:
517 lbs.



PENETRATOR X5 ORIGINAL

Compliance:
OSHA 1926.502
ANSI/ASSE
Z359.6-2009(D)



50% LIGHTER THAN
THE COMPETITION WITH
GREATER PROTECTION



x2
RESTRAINT



x5
ARREST

KEY FEATURES



Only 5 fall arrest tie-off system in the world



Premium 500 lbs. flat-free tires (2,000 lbs. total capacity)



Simple to use breaking feature for quick setup and go

PENETRATOR
X5 MOBILE FALL PROTECTION



We Own The Edge™

MOBILE FALL PROTECTION SYSTEMS

PENETRATOR* X5 PRO

The Tie Down Penetrator X5 Pro offers ultimate safety and productivity. Workers on traditional roofing material, excluding concrete, have access to tie-off points and job site management features. This system is the lightest mobile fall protection cart with a toolbox on the market.



- For use on built-up, TPO, ISO, PVC and EPDM
- Premium 500 lbs. flat-free tires (2,000 lbs. total capacity)
- 4 Lifting rings
- Forklift pockets
- TS22 Coated
- Area footprint: 48" x 90"

Unassembled
Part ID: 72836

Assembled
Part ID: 72836A



Gross Weight:
629 lbs.

**NEW
PRODUCT**

PENETRATOR X5 PRO

Compliance:
OSHA 1926.502
ANSI/ASSE
Z359.6-2009(D)

40% LIGHTER THAN
THE COMPETITION



KEY FEATURES



Gas spring hinges make lifting large toolbox lid a breeze



Comes standard with front ergonomic tow handle



Made in U.S.A. steel claw fall arrest engagement mechanism



MOBILE FALL PROTECTION SYSTEMS

PENETRATOR* X5 MULTI-PLUS*

The Tie Down Penetrator X5 Multi-Plus is a best in class mobile fall protection system for multiple substrate applications including concrete, TPO, EPDM, Built-UP, and more. Up to 5 workers in fall arrest and 2 workers in fall restraint when used on standard roofing applications. When used on concrete, the PX5 Multi-Plus can protect 2 workers in fall arrest and 2 workers in fall restraint.



- For use on concrete, built-up, TPO, ISO, PVC, and EPDM
- Front locking tow handle and rear brake
- Forklift pockets
- Ballast plates detach if not needed for concrete applications
- Vertical Rigging Points
- Clearly marked fall arrest rings
- TS22 Coated
- Area footprint: 48" x 90"

Unassembled
Part ID: 72839

Assembled
Part ID: 72839A



Gross Weight:
1,078 lbs.



KEY FEATURES



Simple to use breaking feature for quick setup and go



Premium 500 lbs. Flat Free Tires (2,000 lbs. total capacity)



Removable ballast plates for non concrete applications



PENETRATOR MULTI-PLUS

Compliance:
OSHA 1926.502
ANSI/ASSE
Z359.6-2009(D)

*ONLY 2 WORKERS IN ARREST AND 2 WORKERS IN RESTRAINT WHEN USED ON CONCRETE



x2
RESTRAINT



x5
ARREST

PENETRATOR X5 MOBILE FALL PROTECTION



We Own The Edge™

MOBILE FALL PROTECTION SYSTEMS

PENETRATOR X5 SENTINEL*

Tie Down Safety manufactures the best in class mobile fall protection systems. Contractors often need safety solutions that offer versatility without added difficulties. The revolutionary Penetrator X5 Sentinel ships ready to use and safely protects up to seven workers at a time. Weighing less than 1300 lbs., the X5 Sentinel provides fall arrest safety for 5 workers and an additional 2 workers in restraint, all at same time. In addition, a useful tool box is provided to keep your gear protected and ready to go. The Penetrator X5 Sentinel can be used on concrete, or EPDM and TPO roofing applications. When it's time to relocate, our premium non flat tires allow for quick relocation so our customers can resume their work without sacrificing productivity. Tie Down Safety maintains high standards and quality control through quality raw materials and components made in the USA.



- 7 users: 5 in fall arrest and 2 in fall restraint*
- Portable design
- For use on concrete, built-up, TPO, ISO, PVC, and EPDM
- Premium 500 lb flat-free tires (2,000 lbs. total capacity)
- Front locking tow handle
- Rolled goods rack
- Forklift pockets
- TS22 coated
- Area footprint: 48" x 90"
- Vertical lifting rings
- Meets compliance: OSHA 1926.502
- ANSI/ASSE Z359.6-2009(D)
- Product weight: 1,069 lbs.

Unassembled Part ID: 72833

Assembled Part ID: 72833A



PENETRATOR X5 SENTINEL

Compliance:
OSHA 1926.502
ANSI/ASSE
Z359.6-2009(D)

*ONLY 2 WORKERS
IN ARREST AND 2
WORKERS IN
RESTRAINT WHEN
USED ON CONCRETE



x2
RESTRAINT



x5
ARREST

KEY FEATURES



5 Users in fall arrest



Fire extinguisher holder



Material box with locking door, weather strip, and heavy-duty hinge



* US Patent # 9,675,824

MOBILE FALL PROTECTION SYSTEMS

BIGFOOT

Tie Down Bigfoot is the newest addition to our mobile fall protection line. This system offers even easier portability while allowing work on concrete and other substrates.



- For use on concrete, TPO, and EPDM
- Non-penetrative design
- Premium 300 lb. flat-free tires (1,200 lb. total capacity)
- TS22 Coated
- Canadian version available
- Rooftop cover included
- Area footprint: 40" x 48"

Bigfoot USA Part ID: 60060US

Bigfoot Canada Part ID: 60060CAN



USA Model
Gross Weight:
750 lbs.



Canada Model
Gross Weight:
1,000 lbs.



We Own The Edge™

KEY FEATURES



Jacking feature for easier mobility and handling



Large printed instruction plate and QR code provides critical user information



Four hoisting rings for lifting

BIGFOOT USA

Compliance:
OSHA 1926.502
ANSI/ASSE
Z359.6-2009(D)



LIGHTWEIGHT SERIES



X2
RESTRAINT



X1
ARREST

BIGFOOT CANADA

Compliance:
OSHA 1926.502
ANSI/ASSE
Z359.6-2009(D)



LIGHTWEIGHT SERIES



1
RESTRAINT



X1
ARREST

MOBILE FALL PROTECTION SYSTEMS

SQUATCH

With a slightly larger footprint, the Squatch (short for Sasquatch) is the bigger, stronger cousin to Tie Down Safety's Big Foot. This is not only a "best in class" mobile fall protection system, but the enhanced design allows for an 85' Horizontal Lifeline application. This new and improved application is the option that roofers have been demanding for over two decades and Tie Down Safety has made it a reality. The Squatch's innovative design earned its own patent!



- With use of pre-engineered rope HLL, the Squatch can protect up to 7 workers at a time.
- 3 workers in fall arrest on HLL and 4 in restraint
- Cover more than 200' linear feet of leading edge at a time
- Connect more than two Squatches at a time with a Tie Down HLL and protect up to six workers in fall arrest over a 175'



Made In The **USA**



KEY FEATURES



Jacking feature for easier mobility and handling



Horizontal lifeline application



Four Vertical Rigging Points to easily lift into place for quick use.

MOBILE FALL PROTECTION SYSTEMS

SQUATCH

The Squatch ships job-site ready on a standard pallet with retractable handles that pin place. The Squatch is the newest addition to the Tie Down Safety mobile fall protection line. The Big Foot works on concrete, along with other substrates, without risking roof damage. Tie Down Safety maintains high standards and quality control through quality raw materials and components made in the USA.



- 4 users: 2 fall arrest and 2 in fall restraint.
- Non-penetrating
- Patented design
- For use on concrete, TPO, and EPDM
- TS22 coated
- Premium 300 lbs. flat-free tires (1800 lbs. capacity)
- Area footprint: 40" x 48" shipping jobsite ready
- Four lifting rings for rigging

Part ID: 61010



Gross Weight: 1,200 lbs.



SQUATCH

Compliance:
OSHA 1926.502
ANSI/ASSE
Z359.6-2009(D)

LIGHTWEIGHT
SERIES

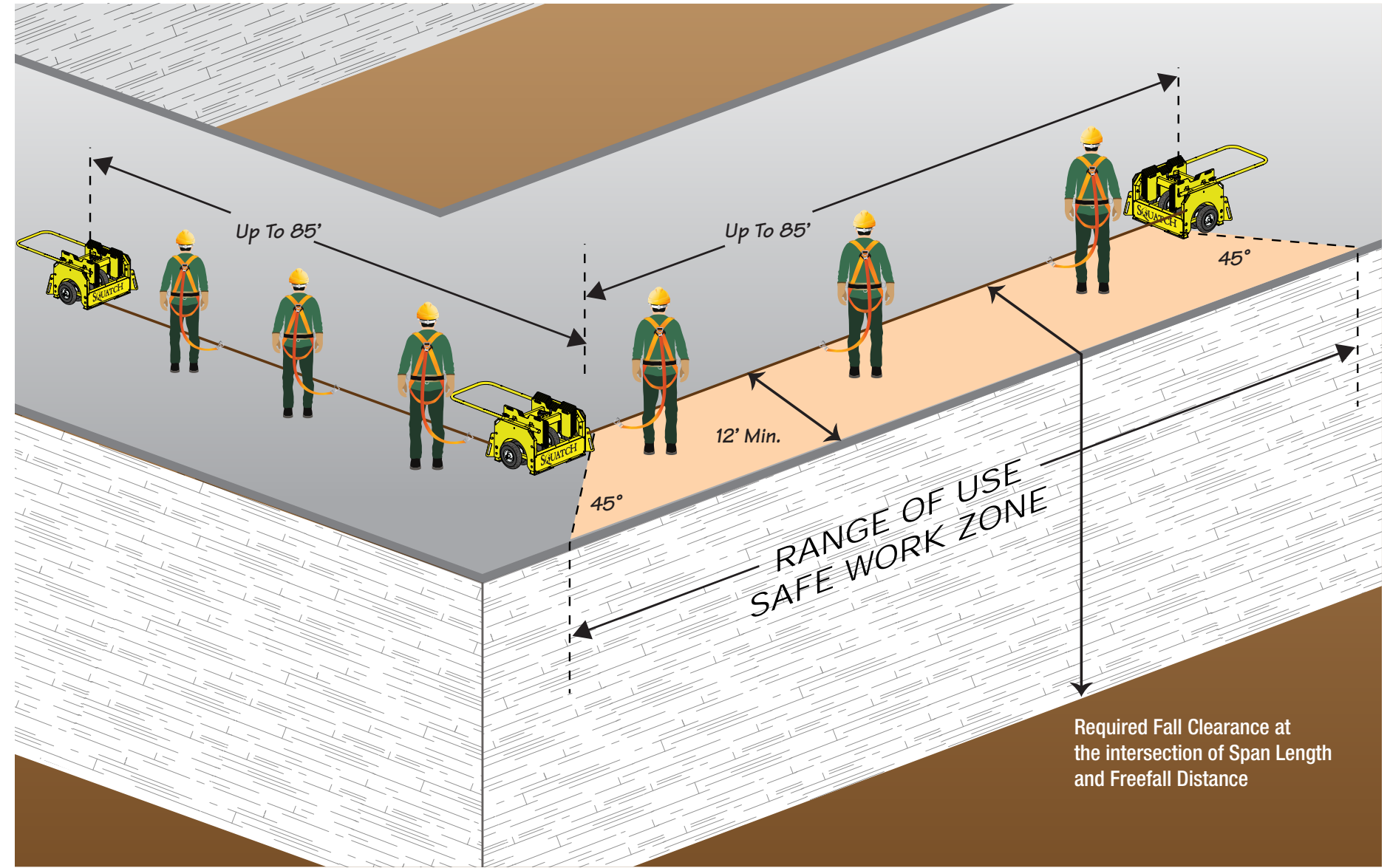


x2
RESTRAINT



x2
ARREST

MOBILE FALL PROTECTION SYSTEMS



Note: Configuration is an example of a possible in use scenario. Please consult an onsite competent person prior to use to make sure the Squatch Safety System is properly installed.

WHAT IS THE PURPOSE OF A MOBILE FALL ARREST/RESTRAINT SYSTEM?

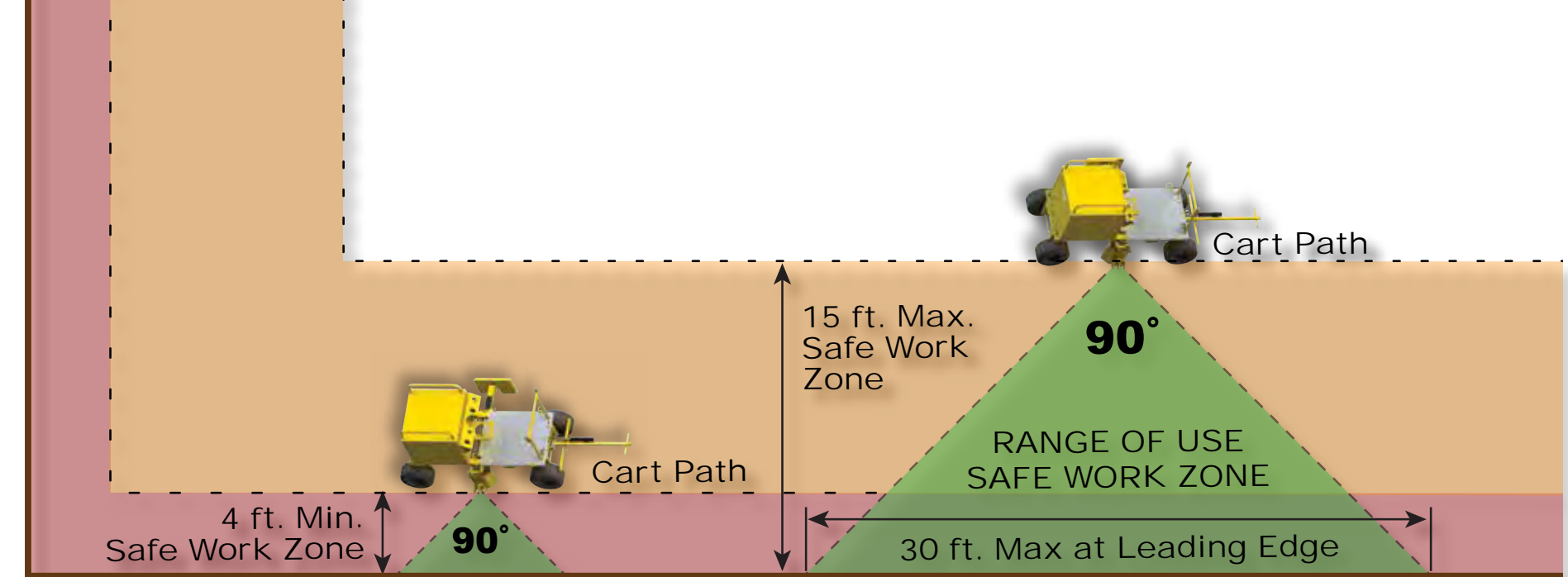


No matter if you are working in the construction industry under OSHA 1926 or the industrial industry under OSHA 1910, the employer holds the responsibility of providing a safe working environment for employees. When it comes to fall protection, we understand that there are many options available on the market. Conventional fall protection, or anchoring to the roof, is oftentimes not an option. This is when a Mobile Fall Arrest and Restraint System comes in. A Mobile Fall Arrest/Restraint Systems provide excellent flexibility for workers since they are comfortable to use, practical, durable, and mobile. Mobile Fall Arrest/Restraint Systems is a great option to keep multiple workers safe and productive.

Considering the hierarchy of fall protection is essential. Tie Down is a leader in providing active and passive fall protection solutions for all your rooftop safety needs.

1. The preferred solution for all fall hazards is the elimination of the danger. Analyze the reason for the fall hazard and consider changing the procedure, location or equipment used that would expose a worker to the hazard. Some examples include moving the work to the ground, locating the HVAC system in a protected area, or designing a parapet wall with the appropriate height.
2. Passive fall protection systems might include guardrails or barriers for unprotected edges and covers over roof openings or open working surfaces. Passive fall protection is ideal for sites where rooftop penetration is not an option, and there are significant hazards such as the leading edge, skylights, and roof hatches. Providing passive fall protection can cost more than personal protective equipment, but over the long term, the savings are significant. Passive systems offer a higher level of safety, lower training costs, and a decrease in the resupply of consumables. If you are accessing the work area frequently, then passive fall protection is an ideal option. Work with us to help layout a practical rooftop solution.
3. Fall restraint systems are placed in a location that a fall cannot occur, or the worker cannot reach an edge. Fall restraint systems use PPE to restrict the worker's range of movement so they physically cannot travel to the fall hazard. Fall restraint systems remove fall arrest concerns, like fall clearance, rescue, arresting forces, and more. Fall restraint is preferred over fall arrest because the system removes the possibility of secondary injuries of a fall and make rescue more comfortable since the worker is reachable.
4. Fall arrest systems pose a higher risk over other options because the system must arrest the worker in free fall. With a free fall, the worker risks injury by striking the surrounding structure, or the system has to stop the falling worker within an acceptable level of force that prevents them from contacting the ground. No matter the type of equipment you decide is best for your application, you must review and understand the product's limitations and capabilities. Refer to a competent person as deemed by your company.

Before using any mobile fall arrest system, it is important to read the owner's manual. Prior to the use of any Tie Down equipment, the user must be trained by a competent person. If you are uncertain as to the proper use of our equipment, immediately stop and contact a supervisor. To minimize the risk of a swing fall, do not work at an angle greater than 45° from perpendicular to your anchor point. Improper use of a product can result in serious injury or death.



Unprotected Edge or Leading Edge



What is a Penetrator?

5 engagement spikes made out of high tensile steel penetrate the substrate when a fall occurs.

MOBILE FALL PROTECTION SYSTEMS

DE OCHO ROOF CART

Tie Down Safety manufacturers industry leading rooftop and job site material carts. Customers who need to move equipment around the construction site turn to the Diablo de Ocho Material Cart.

Utilizing eight wheels with a capacity of 300 lbs. each, the 2400 lbs. capacity cart, and the front breaking handle, the Diablo de Ocho is an effective job site tool. Tie Down Safety maintains high standards and quality control through quality raw materials and components made in the USA.



- Eight 300 lbs. capacity flat free tires
- Front brake tow handle
- Diamond plate decking
- Made in the U.S.A.
- Weight capacity: 2400 lbs.
- Weight: 139 lbs.

Part ID: 72829



DIABLO CART

The Diablo Material Cart is a base frame that allows for material to be transported on the jobsite.

- 500 lbs Flat Free Tires
- TS22 Yellow Coating
- Front brake tow handle
- Made in the U.S.A.
- Weight capacity: 2000 lbs.
- Weight: 119 lbs.

Part ID:72827



PASSIVE FALL PROTECTION

In the hierarchy of fall protection, passive fall protection is the preferred method after removing all possible fall hazards.

Passive fall protection systems do not move or change once installed. They do not require active participation from the worker or a personal fall arrest or restraint system.

When you choose a system like a Universal Guardrail system or EFPS, the room for human error shrinks significantly.

Tie Down manufactures an extensive product line of passive fall protection for roofing, general construction, and other industries.

Do you need a permanent system, secondary structure for additional safety, or a system that falls somewhere in between? Tie Down covers your fall protection needs!



PASSIVE FALL PROTECTION

CASE STUDY

Problem:
A multinational food products corporation headquartered in Paris, France requested assistance in providing rooftop fall protection for its United States facility. The requirement was to bring their rooftops into compliance with OSHA Code 1910.28(b)(13).

Problem Resolution:
At the request of the plant engineer, we surveyed 13 roofs and developed a comprehensive fall protection program that included more than 3,500 linear feet of our patented universal guardrail system, 2 pyramid skylight railings, 15 corrugated skylight screens and numerous self-closing gates.

PASSIVE FALL PROTECTION

“Innovation distinguishes between a leader and a follower.”
Steve Jobs, Co-Founder of Apple

For over 50 years, Tie Down embraces the cutting edge of design, engineering, and manufacturing ingenuity. Our dedication to engineering safety products for our customers produced Tie Down Safety's top selling product: The Universal Guardrail.



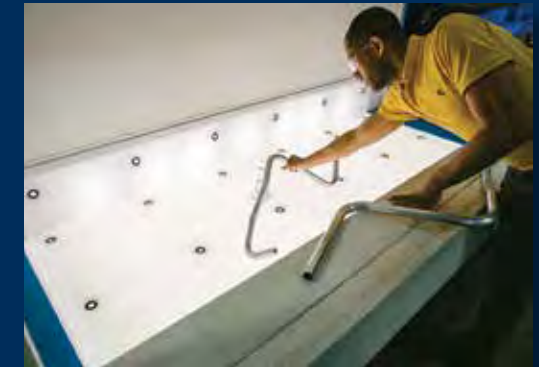
- 40% lighter than most competitors
- Stack easily
- Quick installation
- Fits easily between standing seams
- Multi-directional
- Safe grips for handling

We Own The Edge™



PASSIVE FALL PROTECTION

DID YOU KNOW?



Tie Down guarantees efficient quality control of our guardrail systems with ISO.9001-2015 certification and is the only manufacturing facility using *TubeInspect*.

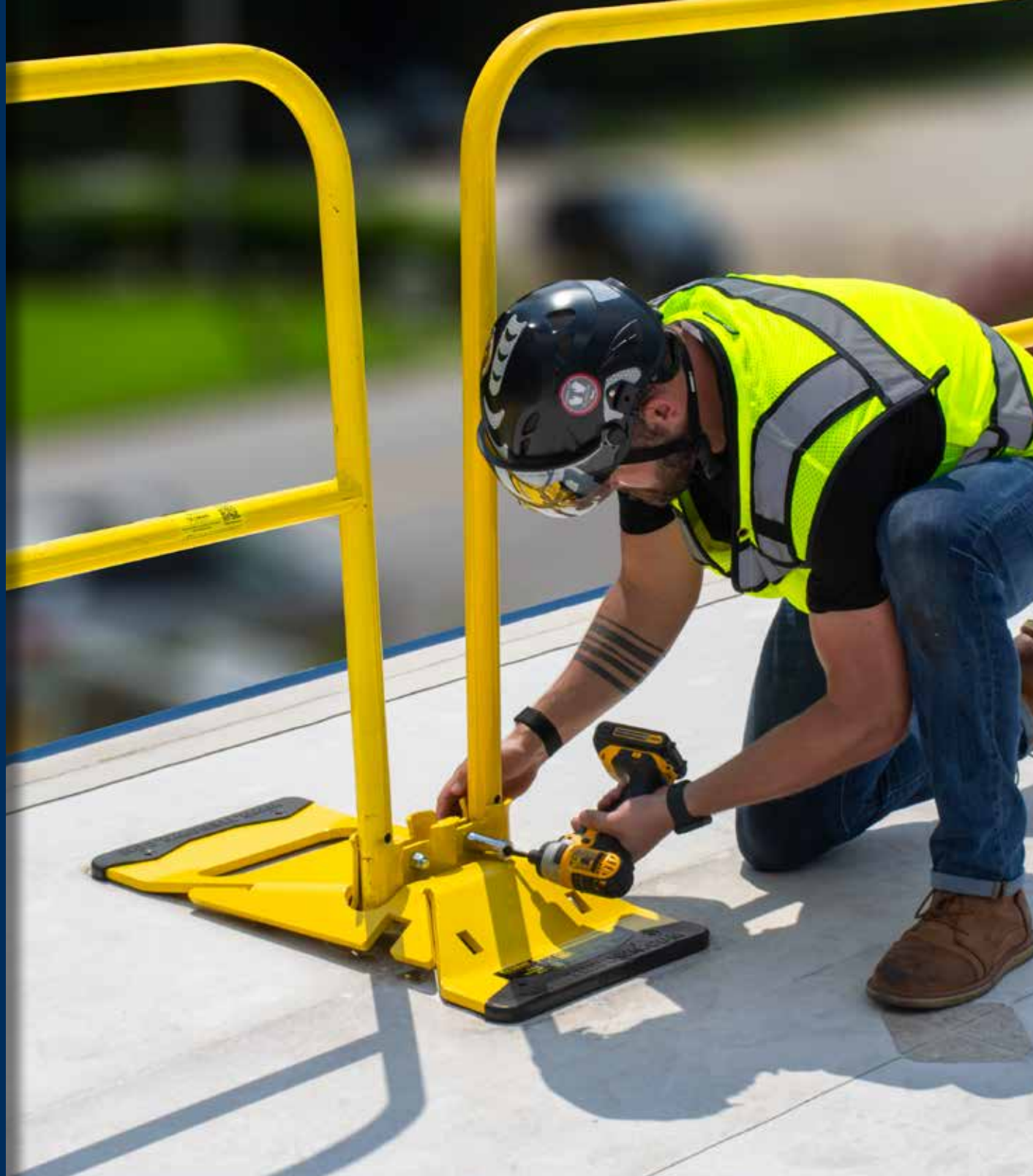
In a matter of seconds, testing our guardrail tubing compares to Computer Aided Design (CAD) Models or to master parts with direct feedback to tube bending machines.

Tie Down uses our own and 3rd party technology to control the risk of producing malfunctioning parts and maintain the best quality for the end user.

PASSIVE FALL PROTECTION

GATOR UNIVERSAL GUARDRAIL BASE

If you have a fleet of the rails from the competition but want to transition to the lightest guardrail base in the world, now you can without worry. The Tie Down Safety Gator Base installs using an impact gun tightening our Gator Clamp. This tightening effect eliminates the loose wobbling of other systems. In addition, the Gator Base Guardrail System can fit both 1.66 and 1.90 OD tube.



PASSIVE FALL PROTECTION

GATOR UNIVERSAL GUARDRAIL BASE



- Gator Base weighs 58 lbs.
- No pins required
- Fits all competitions upright rails
- Fit 1.66 to 1.90 outside diameter (OD) rail
- Includes rubber footing for added rooftop protection
- Includes toe-board slots
- Includes carrying hand hold to minimize pinch points
- Meets compliance: OSHA 1926.502.
- Tested to meet CSA Z259 standards
- Made in U.S.A.



PASSIVE FALL PROTECTION

UNIVERSAL GUARDRAILS

Guardrails offer a great alternative to an active fall protection system, which consists of a harness, lanyard, and anchor point. This passive fall protection option offers you the freedom of movement while not getting in the way of the job at hand.



- Lower shipment costs
- 30% faster installation time
- Guaranteed quality with *Tubeinspect*
- Lightest baseplate on the market (58 lbs.)
- Multi-directional adjustment
- Fits up to a 2/12 pitch*
(*see layout recommendations)
- Standard rubberized footing
- TS22 Coated
- Resists UV and saltwater damage
- Grommeted padding feature optional
- 3rd party compliance testing
- Tested to Category 5 hurricane wind forces
- Galvanized options available



Compliance:
OSHA 1926.502 OSHA 1910 Subpart D

PASSIVE FALL PROTECTION

UNIVERSAL BASE

The Universal Base nests and stacks easily before and after every use. The toe board slots and handle holes allow easier lifting.

The 3-hole system comes galvanized or yellow TS22 coated.

Yellow TS22 Coated
Part ID: **70756**

Galvanized
Part ID: **70756G**

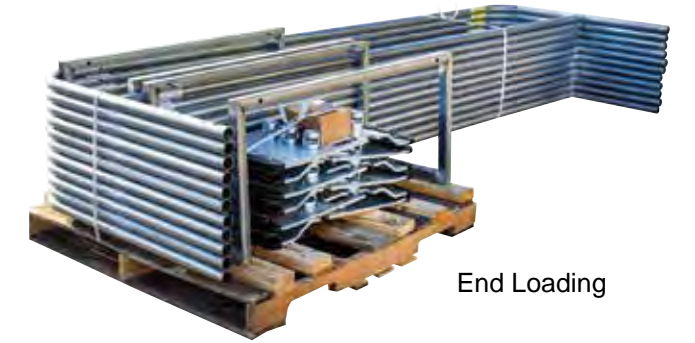


US Patent D831,860S1

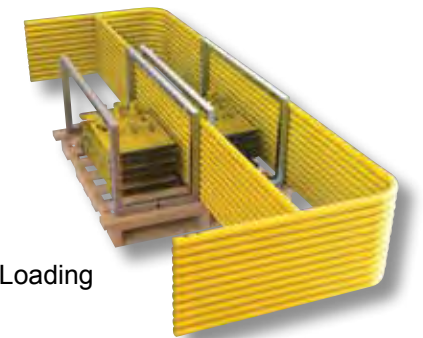
GUARDRAIL STACK RACK KIT

Pallet with metal frame holds 11 Guardrails and 12 Universal Bases. Guardrails stack for either side loading or end loading. The Stack Rack has a metal frame and can stack up to three racks high.

Yellow TS22 Coated Part ID: **70762**
Galvanized Part ID: **70783**



End Loading



Center Loading

STACK RACK (ONLY)

Stack Rack with metal frame attached.
Part ID: **70769**



PASSIVE FALL PROTECTION

WHEELED ADJUSTABLE GUARDRAIL GATE AND LATCH KIT

The Wheeled Adjustable Swing Gate bolts and mounts onto any guardrail. The gate is adjustable from 70" to 85".

Use on a roof hatch, skylight, fire vent, or floor doors.

Yellow TS22 Coated
Part ID: **70908**

Pre-galvanized
Call for Availability



PASSIVE FALL PROTECTION

ADJUSTABLE GUARDRAILS

NEW PRODUCT

Accommodate any gaps in your guardrail perimeter with the Tie Down adjustable guardrails.

3.5' - 5' Adjustable Guardrail
Part ID: **70850**

5.5' - 7.5' Adjustable Guardrail
Part ID: **70851**

8' - 10' Adjustable Guardrail
Part ID: **70852**



GUARDRAIL TOE BOARDS

NEW PRODUCT

Prevent tools and other objects from rolling off the roof with the Guardrail Toe Boards. Choose this permanent solution when the roof does not have a parapet.

Toe Board Kit for 7-1/2 & 5' Guardrails
60' per box with hardware
Part ID: **70839**

Toe Board Kit for 10' Guardrails
60' per box with hardware
Part ID: **70841**

Toe Board Kit for Corners
Part ID: **70840**



NEW PRODUCT



Made In The **USA**

PASSIVE FALL PROTECTION

GUARDRAIL COLORS AVAILABLE

The traditional yellow guardrail system looks great, but what about those looking for untraditional?

With Tie Down, you have 15 options to choose from!

No matter the color you choose, the long-lasting proprietary TS22 coating works against UV deterioration. All guardrails and bases are manufactured in Atlanta, GA.

Still worried about damaging the paint? This coating is field repairable.

Resistant against:

- Saltwater
- UV damage
- Abrasion



Beige 222
RAL 1015

Yellow 344
RAL 1021

Blue 542
RAL 5015

Blue 536
RAL 5017

Green 475
RAL 6005



Brown 813
RAL 3009

Red 233
RAL 3020

Brown 838
RAL 8019

White 110
RAL 9016

Silver
RAL 9006



Grey 613
RAL 7035

Grey 654
RAL 7001

Grey 695
RAL 7046

Grey 640
RAL 7016

Black
RAL 9005

Please Note:

Whilst every effort is made to ensure the colors on this page are as accurate as possible, due to printing on-screen limitations, these colors should be used as guidance only. Colors reflect coated finish, and matched to nearest RAL number where appropriate. Samples are available as coated plates or powder.



PASSIVE FALL PROTECTION

GUARDRAIL TRANZCART

Transport our Universal Guardrails safely and easily with the TieDown TranzCart. The swivel locks make lifting easier when using a crane.



- High strength low alloy steel (HSLA)
- Durable diamond plating cover
- Flat free-all terrain eco path tires
- Handle locking pin used in the up position
- Dead man safety brake



GUARDRAIL TRANZCART COMPLETE KIT

Kit includes: roof cart, 2 tread brite plates, hoisting rings 2 rail brackets and hardware. Kit comes unassembled. Yellow TS22 coated.

Part ID: **65049**

GUARDRAIL TRANZCART BRACKET KIT

Convert your current Penetrator Roofing Cart to a TranzCart.

Kit Includes: rail brackets and hardware only. Yellow TS22 coated.

Part ID: **70834**



PASSIVE FALL PROTECTION

UNIVERSAL BASE REPLACEMENT RUBBER FEET

6 per master carton.

Part ID: 70829

SAFETY LOCKING PIN

25 per master carton.

Part ID: **10500**

UNIVERSAL BASE DOLLY

Transport your bases easily with the Universal Base Dolly.

Dolly with Blade and Flat Free Tires
Part ID: **70767**

Dolly Blade (Only)
Part ID: **70768**



PASSIVE FALL PROTECTION

ZIP RAIL COMPLETE KIT

The Tie Down Zip Rail Complete Kit secures your job site by improving rooftop accessibility. This system provides workers full mobility and access to the edge without a harness, lanyard, and anchor.

Install this system easily on a parapet wall or flat roof edge. The kit comes with everything needed for 355'/420' of fall protection.

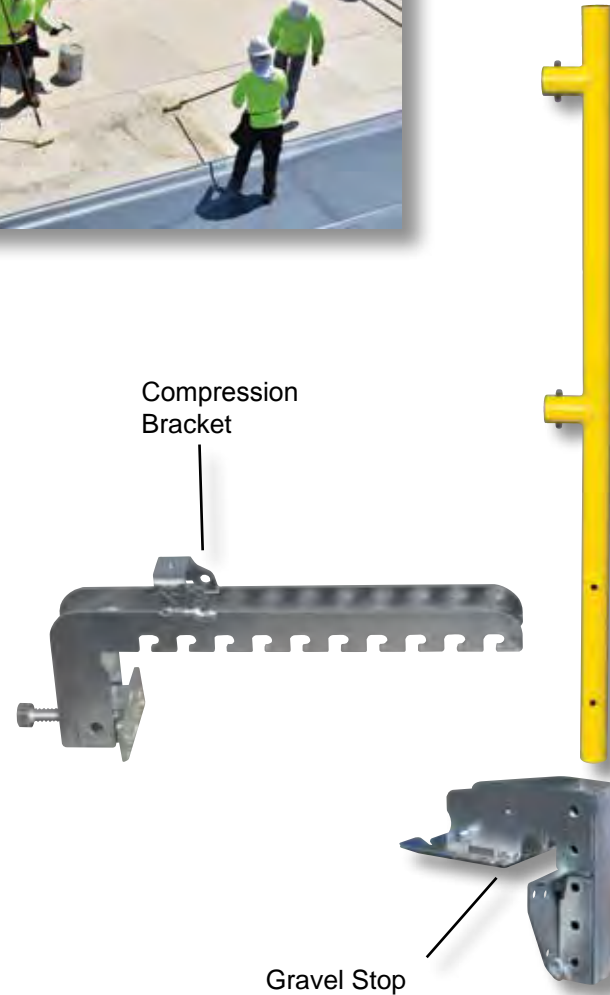
Worried about transporting this kit to the roof? The one stackable container with forklift pockets and hoisting rings make rooftop delivery easy.

New OSHA Rule in effect: Walking Working Surfaces, #1910.28, please comply with this as well as all local, State and Federal OSHA rules

Zip Rail Complete Kit Contents:

- Compression & Gravel Stop Brackets (x36)
- 10' Zip Rail, Yellow TS22 Coated (x64)
- Adjustable Zip Rail 5' - 8', Zinc Finish (x8)
- Adjustable Zip Rail 32" - 48", Zinc Finish (x4)
- Zip Rail Stanchions, Yellow TS22 Coated (x36)
- Corner Bracket Assembly Yellow TS22 (x12)
- Safety Locking Pin (x36)
- Zip Rail Stack Container (x1)

Part ID: 70736



PASSIVE FALL PROTECTION

ZIP RAIL GRAVEL STOP COMPLETE KIT

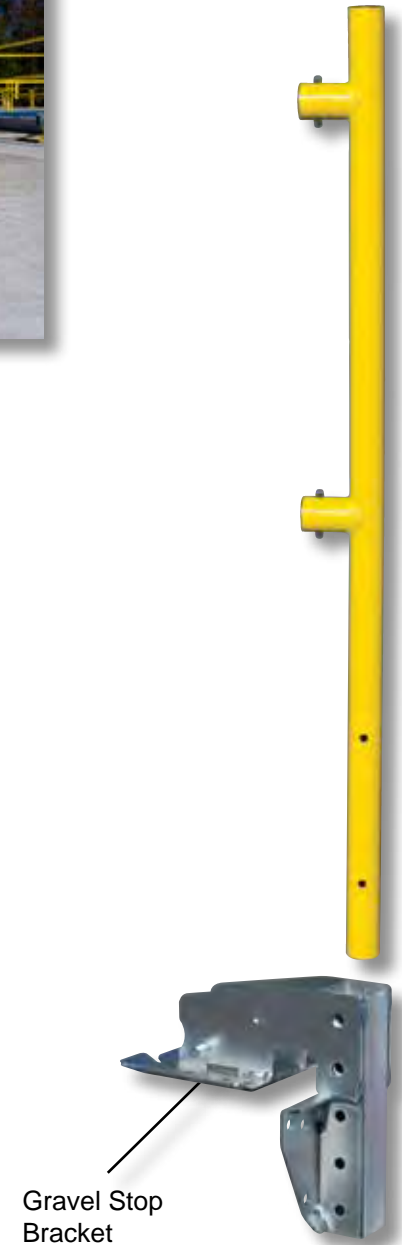
The Zip Rail Gravel Stop Complete Kit comes with everything needed for 420' of fall protection, all packed in a stackable container.

New OSHA Rule in affect: Walking-Working Surfaces, #1910.28, please comply with this as well as all Local, State and Federal OSHA rules

Zip Rail "Gravel Stop" Complete Kit Contents:

- Gravel Stop Brackets (x43)
- 10' Zip Rail, Yellow (x76)
- Adjustable Zip Rail 5' - 8', Zinc Finish (x8)
- Adjustable Zip Rail 32' - 48', Zinc Finish (x4)
- Zip Rail Stanchions, Yellow (x43)
- Corner Bracket Assembly, Yellow (x6)
- Safety Locking Pins (x43)
- Zip Rail Stack Container (x1)

Part ID: 70755



PASSIVE FALL PROTECTION

EDGE FALL PROTECTION SYSTEM (EFPS)

Tie Down's Edge Fall Protection System (EFPS) protects workers from leading edge fall hazards safely and efficiently.

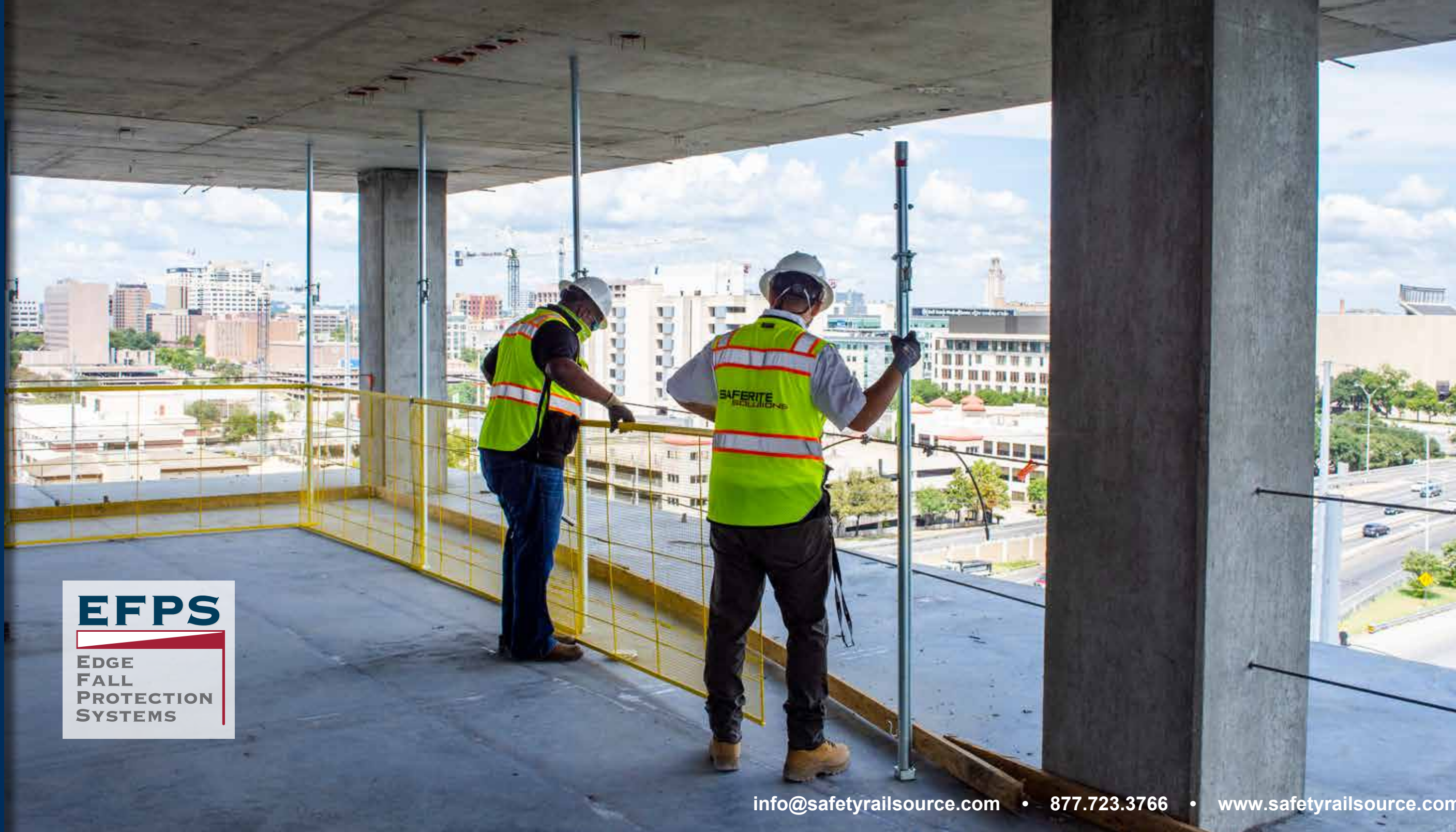


- 100% steel system
- High visibility color
- Wind tunnel verified up to 110 mph
- Double stack feature that meets OSHA 1926, ANSI A10, and CSA standards
- Quick Inspect Indicator for quick installation verification
- Recyclable system offers additional savings with steep scrap recovery and wood disposals
- Compression post extension allows drill-free option for ceilings 12'-14'
- Average installation time of 10' per minute (400 feet/ 3 hours)
- .5" fine steel mesh for additional debris protection

**NEW
PRODUCT**

EFPS

EDGE
FALL
PROTECTION
SYSTEMS



PASSIVE FALL PROTECTION

EDGE FALL PROTECTION SYSTEM (EFPS)

“If we worked on the assumption that what is accepted as true is really true, then there would be little hope for advance.”

- Orville and Wilbur Wright

The development of the EFPS has been in the making for over 17 years. Perfecting upon earlier designs, the newest model uses less energy to manufacture, ships more linear foot per container, and is faster to install.

Tie Down is your one-stop provider of passive fall protection solutions. No matter the leading edge hazard, we offer systems that provide maximum safety with minimal fuss.

PASSIVE FALL PROTECTION

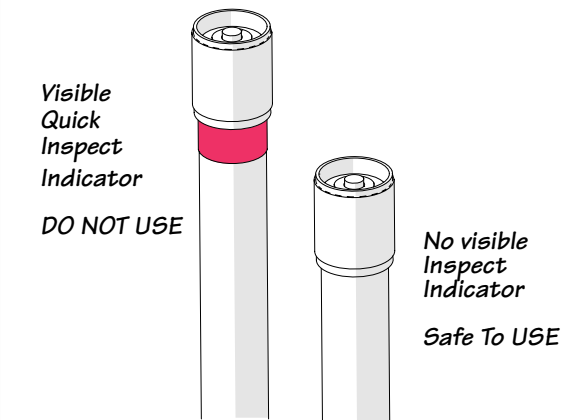
EDGE FALL PROTECTION SYSTEM

EFPS is Fully Compliant with:

- USA standards: OSHA 1926.502(b) ANSI/ASSE A10.18-2007
- WISH A/WAC 239-155-24601 Fall
- BS EN 13374:2004 (class A)
- Occupational Health and Safety Act of Ontario; Section 26.3



Special Feature:
Easy-to-use corner return bracket



Visible Quick Inspect Indicator shows incorrect installation

EFPS SET WITH BRACKET KIT

The EFPS Floor Bracket is ideal for top floor applications or when the floor to ceiling height is greater than 14'. With the patented wedge anchor, the EFPS Floor Bracket installs quickly. Requiring only 1" of depth for proper securement, the EFPS Floor Bracket complies with OSHA 1926.502 guardrail requirements.

EFPS Set with Bracket Kit includes:

- 110 Brackets with Crate (weight 682 lbs.)
- 110 Fence with Corner Protectors & Crate (2 crates with 55 fences, weight 1,290 lbs. each)

Part ID: 14341

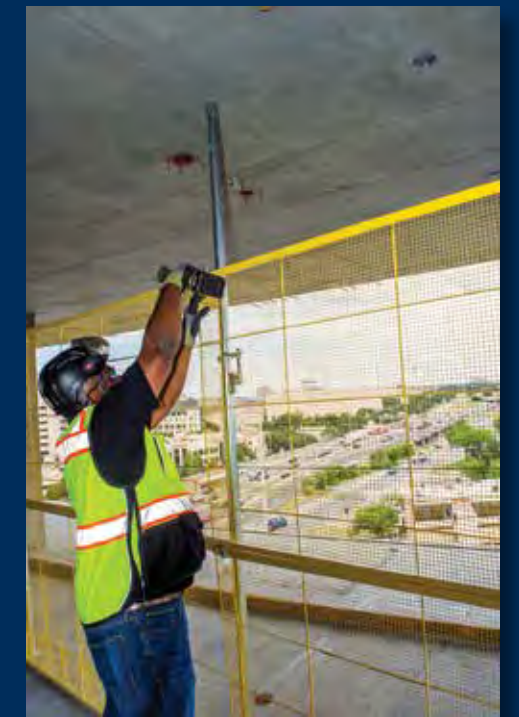


PASSIVE FALL PROTECTION

EFPS Set with Post Kit includes:

- 110 Post with Crate (weight 1,951 lbs.)
- 110 Fence with Corner Protectors & Crate (2 crates with 55 fences, weight 1,290 lbs. each)

Part ID: 14340



PASSIVE FALL PROTECTION

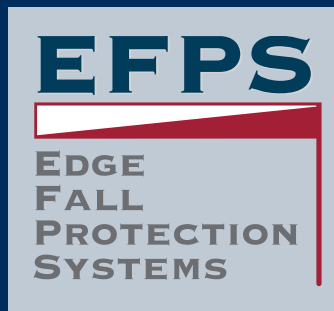
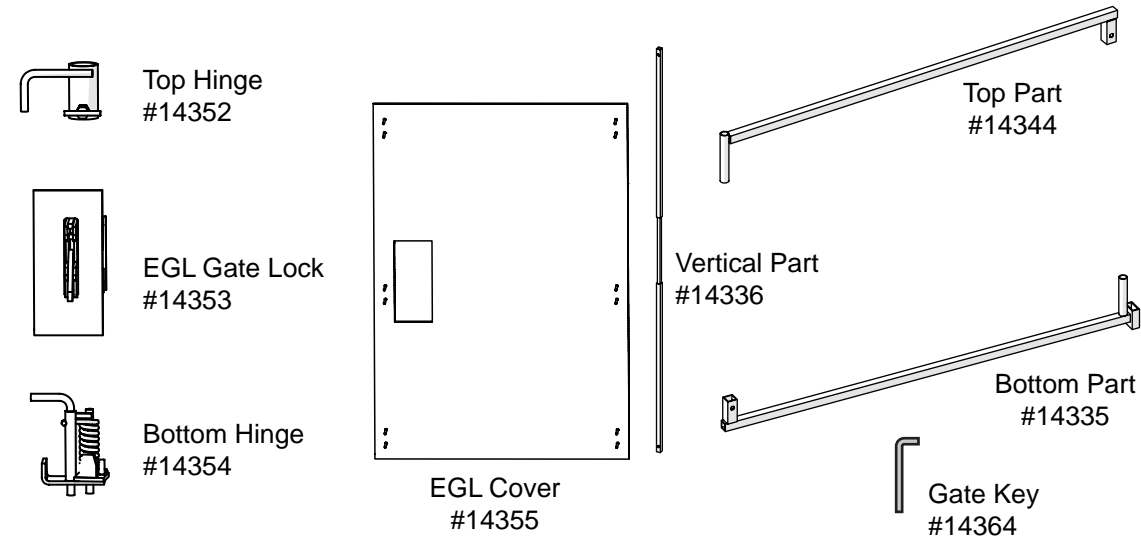
ELEVATOR PROTECTION SYSTEM

The EFPS Elevator Protection System is ideal to safeguard workers from fall hazards when working around elevator shafts. This non penetrating solution uses compression posts and paneling, in combination with a self-closing door which is tamper proof.

- Less expensive to maintain than lumber
- Simple to install
- Single, double or triple stack paneling
- Kit includes self closing door hinge and tamper proof lock.

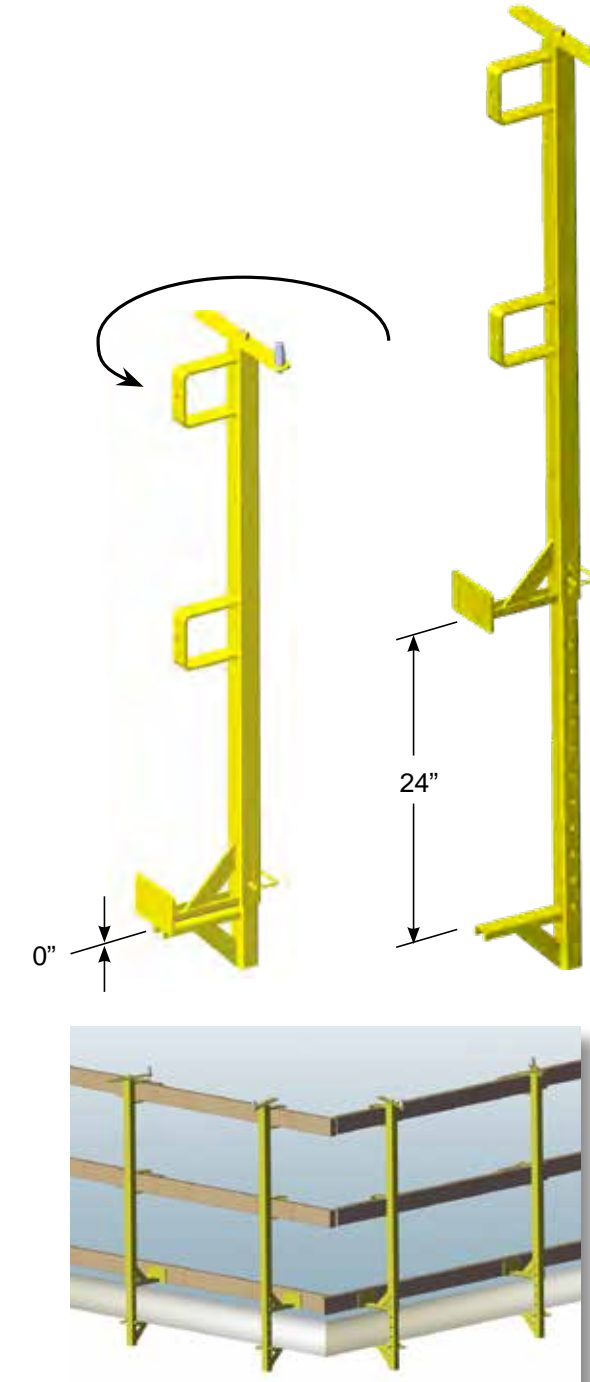


Elevator Protection System
Part ID: **14347**



Yellow Concrete Slab Gripper
Part ID: **70818**

Galvanized Concrete Slab Gripper
Part ID: **70818G**



PASSIVE FALL PROTECTION

SLAB GRIPPER

The Slab Grabber is the perfect solution for concrete decking work. This product adjusts up to a 24" concrete slab with quick and easy installation. Concrete is often a difficult material to work with but setting up your ideal guardrail system could not be easier with the Tie Down Slab Gripper.



- Fits slabs up to 24" thick
- Quick adjust handle
- Backup safety pin
- TS22 Safety Yellow coating
- Compatible for 2 x 4 wood rails
- Galvanized finish available
- Toe board receiver
- OSHA 1926.502 compliant



PASSIVE FALL PROTECTION

PARAPET WALL AND UNIVERSAL GUARDRAIL SYSTEM

The Parapet Wall and Universal Guardrail System offers a unique tubular design that allows use on both parapet walls and floor slabs.

Inverting the compression base (Fig. 1) allows use with the Universal Guardrail on exposed floors, walkways, decks or wherever you need a fall protection system.



- Easy and fast attachment of 2 x 4's with adjustable rail brackets
- Maximum spacing of 8'
- Complies with OSHA standards
- Toe board bracket installed
- 2 per master carton

Part ID: **65015**



Parapet Walls

Decks or Slab

Fig. 1

PASSIVE FALL PROTECTION

STEEP SLOPE GUARDRAIL

The Steep Slope Guardrail makes your next residential roofing job easier and safer. Easily attach 2 x 4's with the adjustable rail brackets and transport with the convenient handles.



- 5 adjustable pitch positions from 4/12 to 16/12
- Extra wing nut and bolt included
- Maximum spacing of 8'
- Complies with OSHA 1910.29(b)
- 2 per master carton

Part ID: **65014**

RAKE EDGE BRACKET

The Rake Edge Bracket works on rake edges or eaves with 4/12 pitch or less and is compatible with the Steep Slope Guardrail. The rake brackets allow quick positioning and removal.



- Key-hole openings for 16" to 24" spacing
- Maximum spacing of 8'
- Toe board openings for proper placement
- 1.5" heavy-duty post with self-locking rail brackets
- Complies with OSHA 1910.29(b)
- 2 per master carton

Part ID: **65023**



PASSIVE FALL PROTECTION

SKYCAGE PEDESTRIAN BASE AND POST

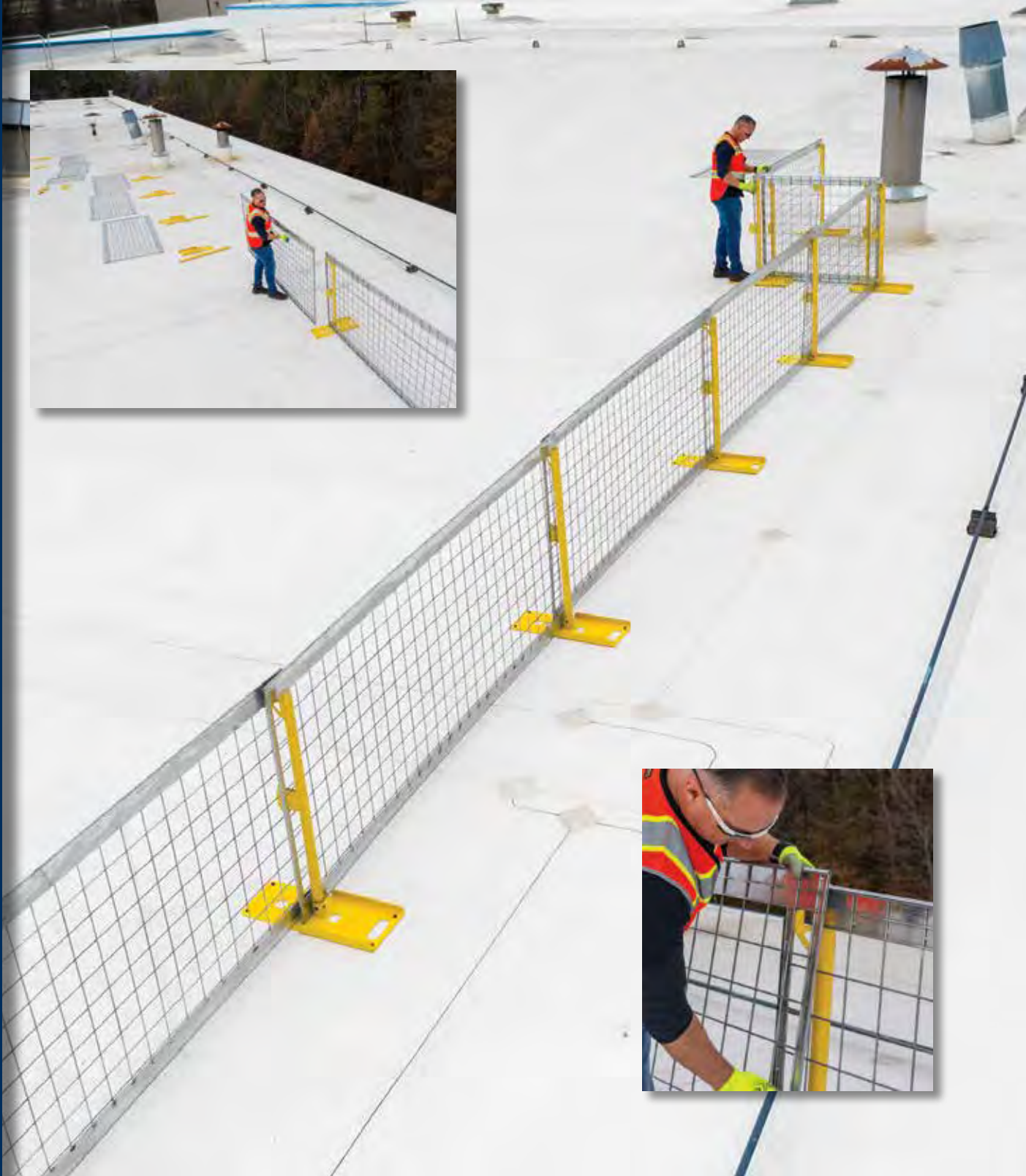
The Tie Down Sky Cage System serves as a warning line solution or as an alternative to a standard guardrail.

When used as a guardrail system, the Pedestrian Base must permanently attach to the surface or a Universal Guardrail Base (70756, 70756G) with Base Extender.



- 4" square openings for added debris protection
- Standard galvanized finish
- Custom colors available
- SkyCage panels compatible with EFPS
- Pedestrian base permanently attaches with the use of fasteners.
- 9', 7', and 5' panel sizes available.

**NEW
PRODUCT**



Universal Guardrail Base
Base Extender

Part ID: **70756**
Part ID: **70757**

Pedestrian Base – Not for guardrail use unless used with approved fasteners. The pedestrian base is walkway management and barrier protection.
Part ID: **70811**

Pedestrian Base Post - Height 41". Not for use as a guardrail unless secured with fasteners.
Part ID: **70812**

Wall Latch - Allows for bolt-on attachment to concrete, metal, or wood. For use with OSHA Compliant Mesh Paneling either for SkyCage or EFPS.
Part ID: **70815**

9ft Wire Mesh Pane - Height 42.5". 4"x4" mesh paneling.
Meets OSHA 1926 and OSHA 1910 Guardrail Standard. Galvanized Finish.
Part ID: **13867**

6ft Wire Mesh Panel. Height 42.5". 4"x4" mesh paneling.
Meets OSHA 1926 and OSHA 1910 Guardrail Standard. Galvanized Finish.
Part ID: **13877**

4ft Wire Mesh Panel. Height 42.5". 4"x4" mesh paneling.
Meets OSHA 1926 and OSHA 1910 Guardrail Standard. Galvanized Finish.
Part ID: **13797**

*Custom colors available on request.

PASSIVE FALL PROTECTION

SKYCAGE PEDESTRIAN BASE AND POST

The SkyCage Panel System works with our standard Universal Guardrail Base when combined with our Extension Base. The SkyCage panel configuration is better suited when tighter controls of access are needed and debris control are necessary.



- Quick set-up
- 7' standard length
- Custom panel colors available
- SkyCage panels can interchange with EFPS and Pedestrian Control System

PASSIVE FALL PROTECTION

ZIP RAIL PIPE FITTINGS

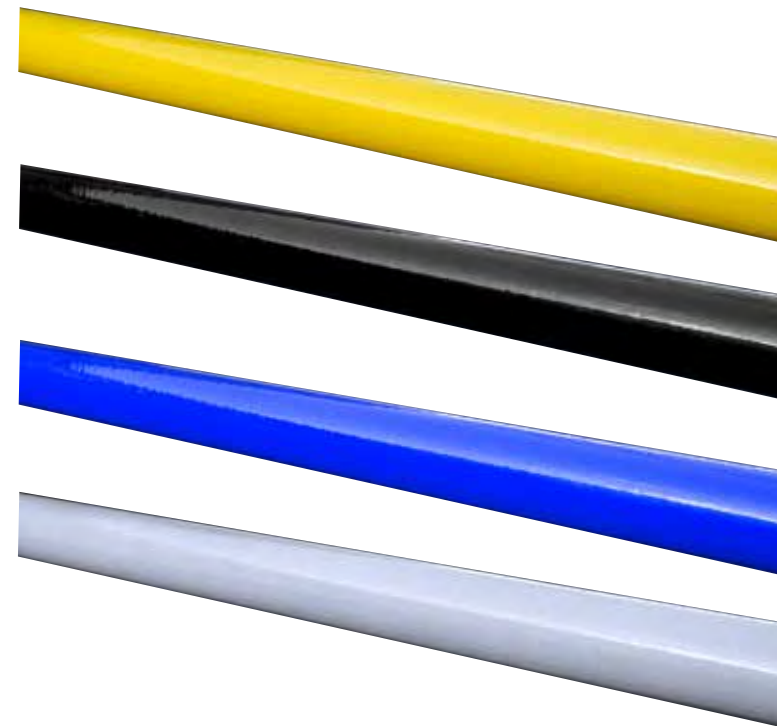
Tie Down offers a vast selection of safety rail fittings. Our safety rail fittings provide users flexibility in designing interior and exterior guardrail systems. Our team can help you layout a system specific to your application and facility needs due to the customizable design feature.

Our Zip Rail Pipe Fittings come in either aluminum or steel cast material. Combine with our galvanized rail sections to create a durable, long-lasting safety solution.

Whether you are install our Zip Rail Fitting System or contract out the work, there are no special tools required, and sections install quickly.



- Cast iron and aluminum options
- Use with our safety yellow, galvanized, or custom color safety rails
- Easy kit options available
- Custom design services



3.5' Pipe:
Yellow
Black
Blue
Galvanized

Part ID:
70836-42Y
70836-42BK
70836-42BL
70836-42G

6' Pipe:
Yellow
Black
Blue
Galvanized

Part ID:
70836-72Y
70836-72BK
70836-72BL
70836-72G

8' Pipe:
Yellow
Black
Blue
Galvanized

Part ID:
70836-96Y
70836-96BK
70836-96BL
70836-96G

10' Pipe:
Yellow
Black
Blue
Galvanized

Part ID:
70836-120Y
70836-120BK
70836-120BL
70836-120G

The section of the OSHA code that specifies most of the primary guardrail and handrails as it directly relates to safety railing is 1910.26. Specifically, the following sections are the most relevant to handrail and stair rail requirements.

1910.29(f)(1)(i) - Handrails are not less than 30 inches (76 cm) and not more than 38 inches (97 cm), as measured from the leading edge of the stair tread to the top surface of the handrail (see Figure D-12 of this section).

1910.29(f)(2) - The minimum clearance between handrails and any other object is 2.25 inches (5.7 cm).

1910.29(f)(4) - No opening in a stair rail system exceeds 19 inches (48 cm) at its least dimension.

1910.29(f)(5) - Handrails have the shape and dimension necessary so that employees can grasp the handrail firmly.

1910.29(f)(7) - Handrails and the top rails of stair rail systems are capable of withstanding, without failure, a force of at least 200 pounds (890 N) applied in any downward or outward direction within 2 inches (5 cm) of any point along the top edge of the rail.

ZIP RAIL PIPE FITTINGS



Single Socket Tee
Part ID: **13750**



Straight Coupling
Part ID: **13708**



Elbow
Part ID: **13751**



Adjustable Side
Outlet Tee
Part ID: **13704**



Side Outlet Elbow
Part ID: **13706**



Side Outlet Tee
Part ID: **13703**



Three Socket Tee
Part ID: **13707**



Cross
Part ID: **13712**



Swivel Flange
Part ID: **13713**



Clamp On Crossover
Part ID: **13719**



Base Flange
Part ID: **13721**



Railing Base Flange
Part ID: **13711**



Wall Flange
Part ID: **13710**



Single Swivel Socket
Part ID: **13714**



Rail Support
Part ID: **13718**



Dual Base Flange
Part ID: **13745**



Plastic Plug
Part ID: **13709**



Grub Screws
Part ID: **13752**

PASSIVE FALL PROTECTION

ZIP RAIL PIPE FITTINGS

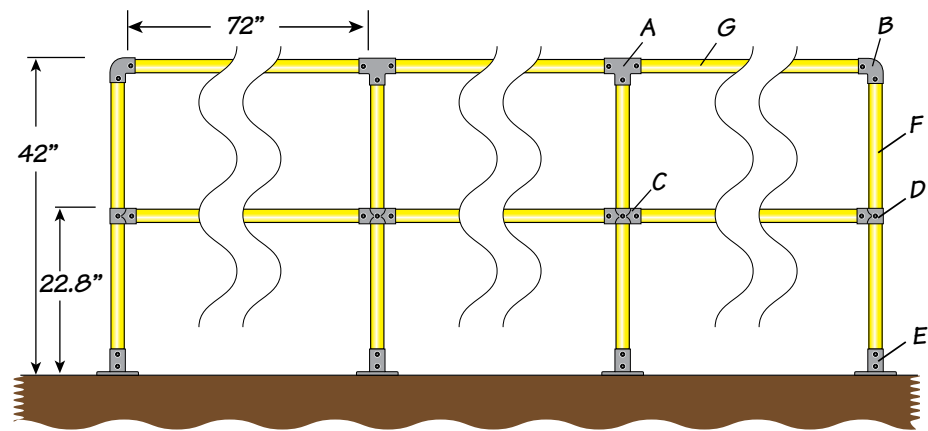
Tie Down's Zip Rail Pipe Fittings provide users flexibility when designing interior or exterior guardrail systems. Due to the modular design feature, our team is equipped to help you design a system specific to your application needs.

Create a durable safety solution by combining our galvanized rail selections with the choice of aluminum or steel cast.

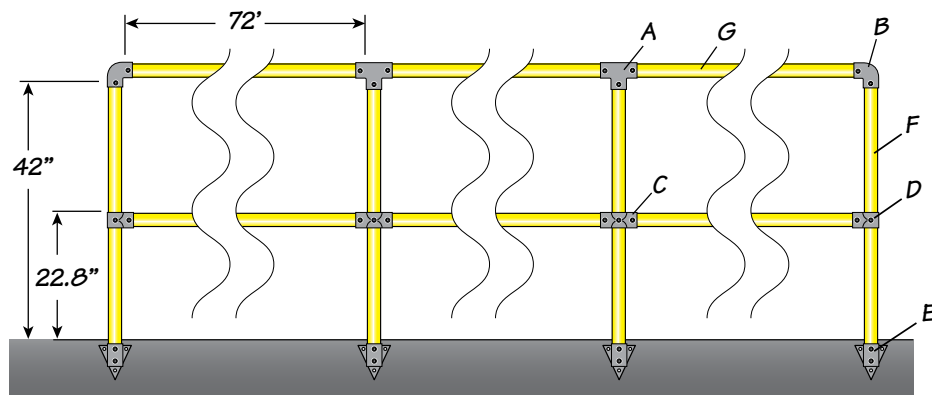
Whether you are an installer or contractor, the installation is easy since no special tools are required.



- Works with our safety yellow, galvanized, or custom color safety rails
- Kit options available
- Custom design services



Ground Mount	A Three Socket Tee #13707	E Railing Base Flange #13711
	B Elbow #13751	F Post 42" #70836-42Y
	C Cross #13712	G Rail 72" #70836-72Y
	D Single Socket Tee #13750	



Wall Mount	A Three Socket Tee #13707	E Wall Flange #13710
	B Elbow #13751	F Post 42" #70836-42Y
	C Cross #13712	G Rail 72" #70836-72Y
	D Single Socket Tee #13750	

PASSIVE FALL PROTECTION

"If you're always trying to be normal, you will never know how amazing you can be."
- Maya Angelou

The Tie Down Zip Rail Pipe Fitting System is perfect for standing seam applications as well as for use with our Universal Guardrail. For a clean and continuous system, fittings install quickly and come in kit options.



- 16 different fitting options available
- Combine different fittings in one system
- Compliant with OSHA 1926 AND 1910

Standing Seam System
Part ID: 70838



WARNING LINE SYSTEMS

When using a warning line system, there are many factors to consider. The material, color, weight, and OSHA compliance are just a few.

Tie Down offers three fully OSHA-compliant warning line systems. These systems are engineered and manufactured to meet your jobsite requirements. No matter which product you choose, each base offers lightweight transportation while the brightly colored pendant options provide additional safety.



WARNING LINE SYSTEMS



Delineators



Galvanized Warning Lines



Permanent Warning Lines



WARNING LINE SYSTEMS

ZIP FAST WARNING LINE SYSTEM

Simple and Safe! Tie Down Safety has done it again! The Zip Fast Warning Line System is the most cost-effective warning line system per linear foot of coverage. No other system stores or sets up as quickly as the Zip Fast Warning Line. The smooth-rolling cart carries 20 bases and a running 600' or warning line. The Zip Fast Warning Line bases span up to 22' apart, limiting the overall number of uprights needed. Tie Down Safety maintains high standards and quality control through quality raw materials and components made in the USA.

We Own The Edge™



WARNING LINE SYSTEMS

ZIP FAST WARNING LINE SYSTEM



- 600' Warning Line System
- Save space base stacker
- Rolling storage cart
- Warning line and tool storage bin
- 300 lbs. Capacity tires (600 lbs. total capacity)
- Four lifting rings
- Caster lock



WARNING LINE SYSTEMS

DELINEATORS

Tie Down Delineators enforce high visibility on the job site with ease-of-use.



- Easy-grip handle
- High-impact polyethylene
- Stackable
- 2 mounting holes for warning lines or signs
- 100% recyclable 30" x 14" rubber base (30 lbs.)

Delineator Kit

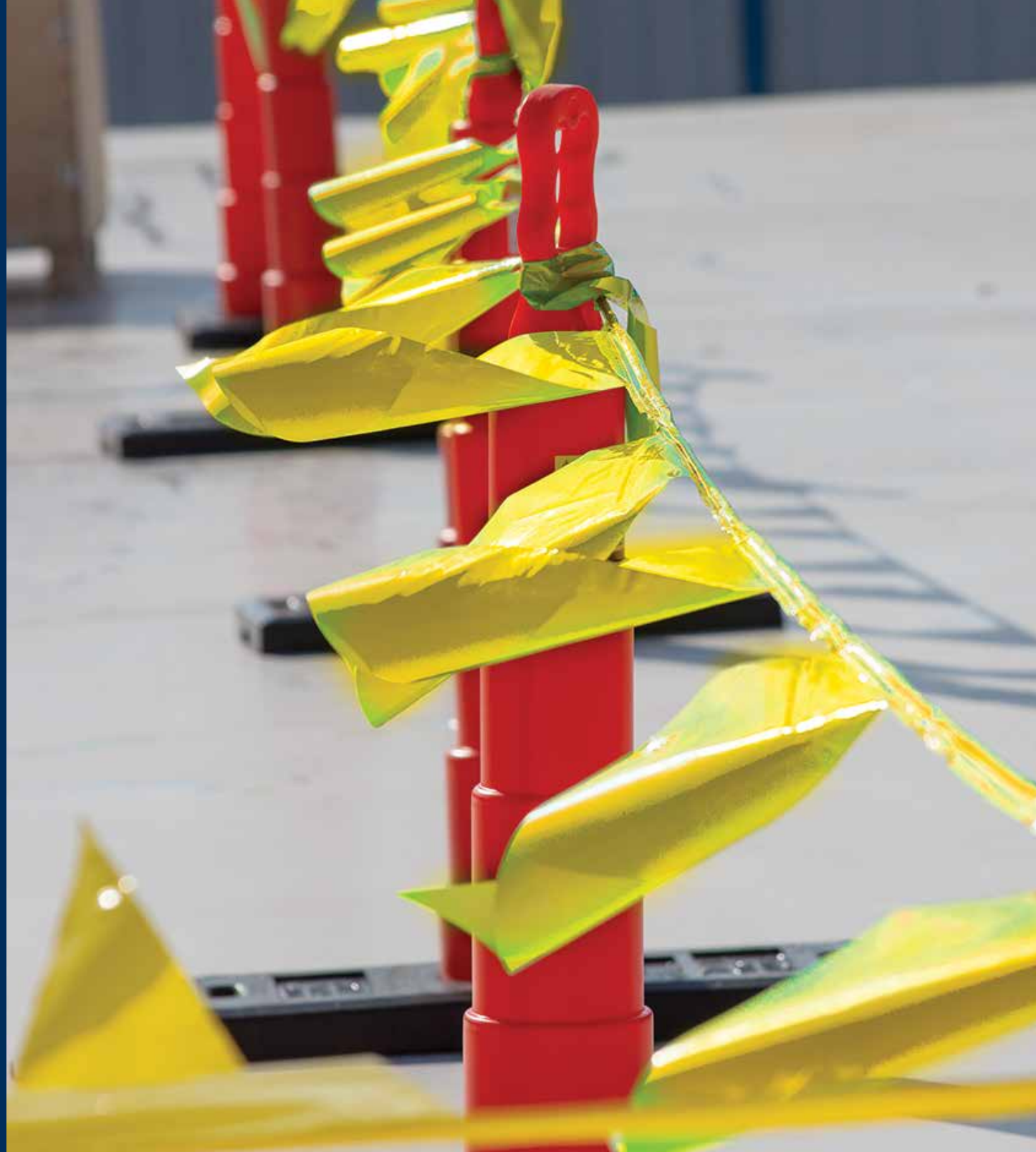
50 Bases, 50 Cones and 3 Warning Flags (105' each, 315' total length)

Part ID: **65085**

Replacement Components:

Delineator Base (ea.)
Part ID: **13863-B**

Delineator Cone (ea.)
Part ID: **13863-C**



WARNING LINE SYSTEMS

GALVANIZED WARNING LINE SYSTEM



- 24" platform with handles (x4)
- 36" vertical line tubes (x4)
- 100' of warning legend pennants
- Stackable base pads
- Hot dipped galvanized for longer life

10 sets per pallet
Part ID: **65001**

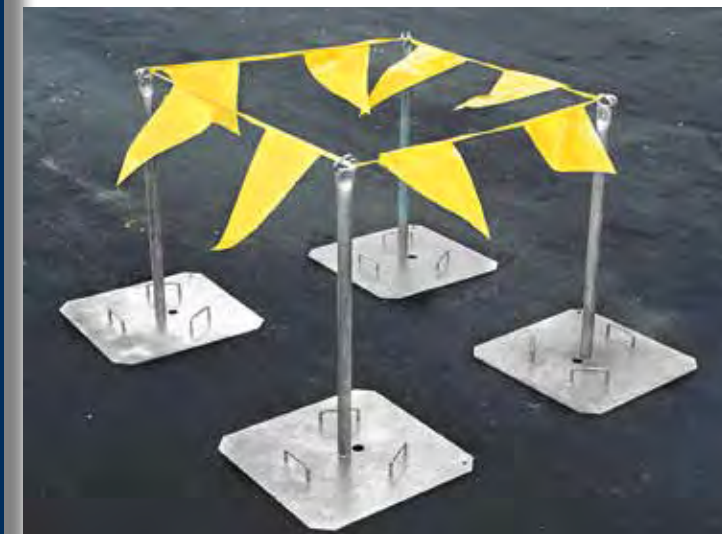
Replacement Poles
4 Poles and Pennants
Part ID: **65001A**

WARNING LINE PENNANTS

"Danger Men Working Above" Yellow Pennant, 60' Replacement.
40 per master carton
Part ID: **10067**

Plain Yellow Pennant, 105' Replacement
30 per master carton
Part ID: **10087**

Plain Red Pennant, 105' Replacement
30 per master carton
Part ID: **13865**



WARNING LINE SYSTEMS

PERMANENT WARNING LINE - SAFE-T-ZONE SYSTEM

The Safe-T-Zone System provides a durable and permanent warning line system when other passive fall protection is not practical.

Safe-T-Zone System Contents:

- Galvanized bases (x6)
- Vertical line tubers (x6)
- 100' of yellow vinyl-coated cable and metal warning flags

The permanently attached metal flags come laser cut with "DANGER" for additional safety.

Part ID: **65084**



TRI-LEG FOLDING WARNING LINE

Three leg folding warning line allows for a faster set-up and tear-down on commercial roofing projects. Constructed with heavy-duty pre-galvanized steel tubing and a clear coat finish, preventing rusting from inside out. Each stanchion includes a retractable carry handle. Includes: 4 stanchions with 100' of warning line pennants. Made in the U.S.A.

Part ID: **65017**



WARNING LINE SYSTEMS

FOLDING WARNING LINE SYSTEM

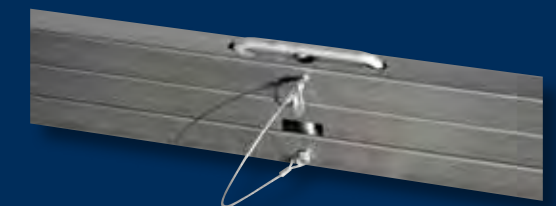
The Folding Warning Line System holds warning line with 4-leg support. It includes 100' of warning pennants and pre-galvanized stanchions with a clear coat finish.

4 Stanchions Part ID: **65002**

EZ-STORE WARNING LINE SYSTEM

Constructed with heavy-duty pre-galvanized steel tubing and a clear coat finish, thus preventing rusting from inside out. Interlocking legs pin to the vertical stanchion tube for quick set-up and tear-down. Includes: 4 stanchions with 100' of warning line pennants. Made in the U.S.A.

Part ID: **65016**



ROOF TOP SAFETY

HATCH RAILING

The Tie Down Hatch Railing attaches directly to the roof hatch counter flashing or roof curb while protecting the open hole when the hatch lid is open. It also provides substantial grab rails to assist in safe exiting and entering the hatchway.

More than 80 models of the Hatch Railing have been designed but the newest model easily adjusts to fit a variety of applications.



- Galvanized pipe 1 1/4" ID
- A53 Grade B seamed pipe or galvanized
- Self-closing gate accessory
- Pipe ends and tops plugged with plastic fitting
- Bolts and washers are 3/8" x 2.5" grade Z zinc plated
- TS22 coating available

**NEW
PRODUCT**



ROOF TOP SAFETY



Each Hatch Railing System Kit contains:

- Adjustable swing gate assembly
- Detailed installation instructions
- Mounting hardware for counter flashing or curb (x4)
- Vertical post (x4)
- Horizontal rails (x4)



ROOF TOP SAFETY

HATCH RAILING

Is it necessary to protect an opening even when the hatch cover is open while personnel are on the roof?

Yes. 29 CFR 1910.23 requires in most situations that exposed sides of ground openings have a variation of guardrail protection. When a hatch opening is left open, the sides are still exposed and must be protected.

ANSI standard A1264.1-1955 requires guardrail protection for exposed sides of ladder-way openings on any working and walking surface. If not protected properly, citations could occur.

30" x 36" Hatch Rail Gate Included
Part ID: 71038

30" x 54" Hatch Rail Gate Included
Part ID: TBD

30" x 96" Hatch Rail Gate Included
Part ID: TBD

48" x 48" Hatch Rail Gate Included
Part ID: 71089

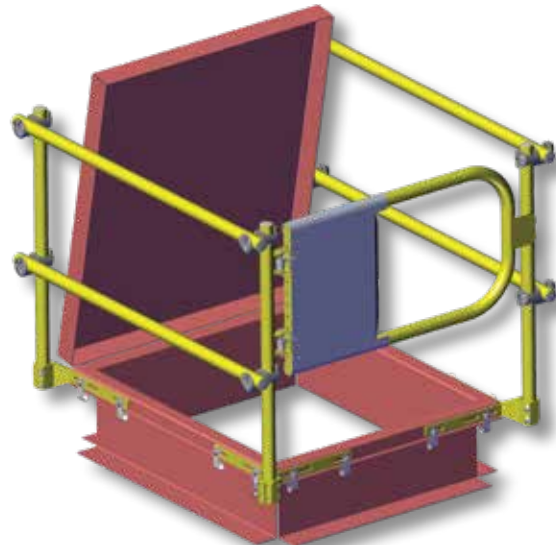
48" x 96" Hatch Rail Gate Included
Part ID: TBD



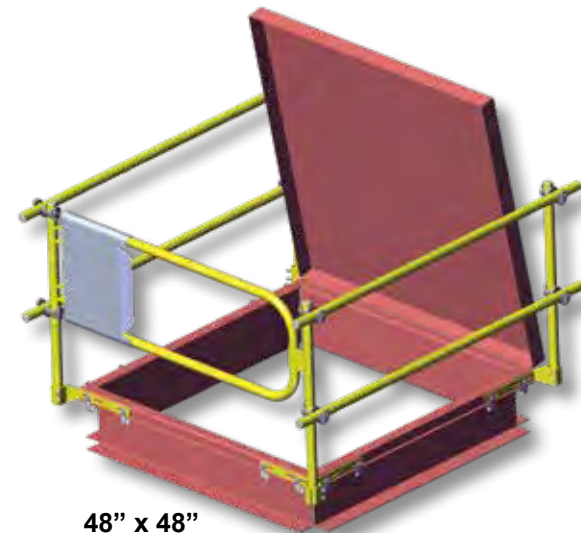
Tie Down Hatch Railing Kits are the ideal solution when protecting workers from falling through an open hatch when working on a roof.

- Made in the USA
- Self closing gate
- Sets up in minutes

- Adjustable gate - 36" to 48"
- Fits most roof hatches
- No drilling required



30" x 36"



48" x 48"

ROOF TOP SAFETY

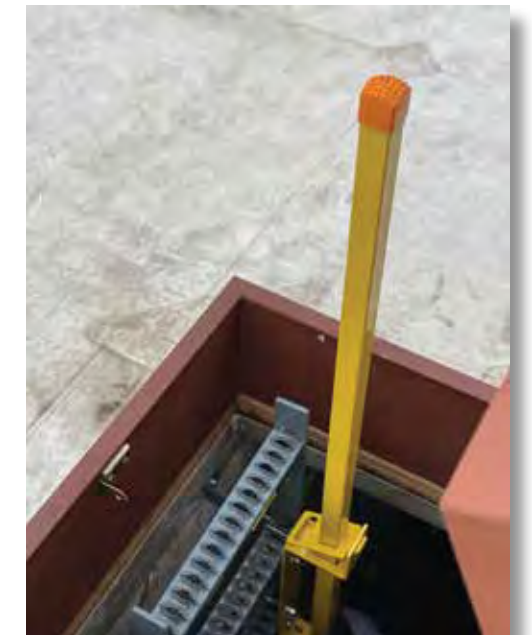
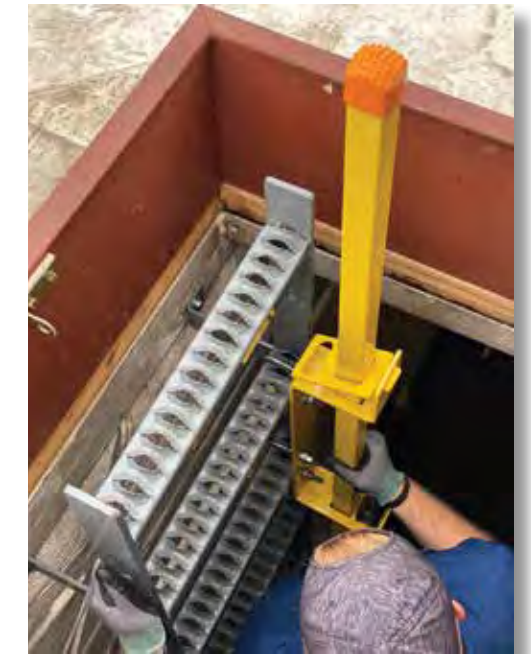
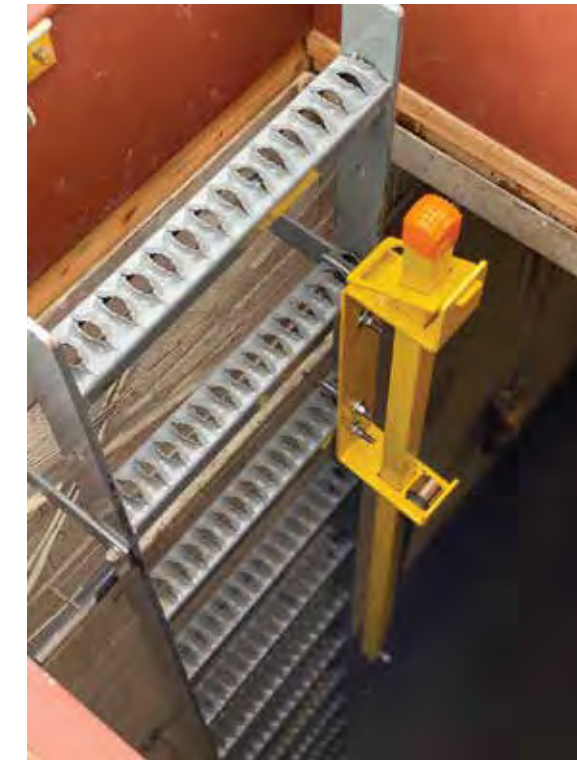
HATCH LADDER ASSIST

The Tie Down Hatch Ladder Assist provides a great solution for climbing in and out of a hatch when a worker reaches the top and transitions to and from the rooftop.



- Fits a large range of round and square rungs
- Quickly attaches with simple tools
- Spring loaded for one hand operation
- Includes safety locking feature

Part ID: 65082



ROOF TOP SAFETY

SKYLIGHT SCREENS

Tie Down's Skylight Screen line meets OSHA standard 1926.502(b)(3), which requires a 200 lb. load test in the USA and 400 lb. load test for CAL OSHA.

There's no need to penetrate the curb of the skylight! Our Skylight Screens fit a standing seam, domed shape, and even corrugated panels.



- Compression fitting
- Galvanized finish
- Sizes up to 61" wide and 120" long (up to 53" wide and 120" long for CAL OSHA)



ROOF TOP SAFETY

STS MODEL SKYLIGHT SCREEN

The STS Model Skylight Screen uses two aluminum rails that rest on the outside of the skylight and lock into place with aluminum clips.



- Stainless steel or galvanized
- Screen material is .187 and .250 diameter
- 4"x 4" grid



STS Domed Skylight Screens

Part #	Width Range	Length Range	Max. Height	Material
STS2424G or S	12"-24"	12"-24"	8"	Galvanized or Stainless Steel
STS2436G or S	12"-24"	29"-40"	8"	Galvanized or Stainless Steel
STS2448G or S	24"-35"	41"-52"	10"	Galvanized or Stainless Steel
STS2460G or S	24"-35"	53"-64"	10"	Galvanized or Stainless Steel
STS2472G or S	24"-35"	65"-80"	10"	Galvanized or Stainless Steel
STS2496G or S	24"-35"	81"-104"	10"	Galvanized or Stainless Steel
STS3636G or S	36"-41"	24"-40"	13"	Galvanized or Stainless Steel
STS3648G or S	36"-41"	41"-52"	13"	Galvanized or Stainless Steel
STS3660G or S	36"-41"	53"-64"	13"	Galvanized or Stainless Steel
STS3672G or S	36"-41"	65"-80"	13"	Galvanized or Stainless Steel
STS3696G or S	36"-41"	81"-104"	13"	Galvanized or Stainless Steel
STS4848G or S	42"-57"	47"-52"	14"	Galvanized or Stainless Steel
STS4860G or S	42"-57"	53"-64"	14"	Galvanized or Stainless Steel
STS4872G or S	42"-57"	65"-80"	14"	Galvanized or Stainless Steel
STS4896G or S	42"-57"	81"-104"	14"	Galvanized or Stainless Steel
STS6060G or S	58"-70"	52"-64"	14"	Galvanized or Stainless Steel
STS6072G or S	58"-70"	65"-80"	14"	Galvanized or Stainless Steel
STS6096G or S	58"-70"	81"-104"	14"	Galvanized or Stainless Steel
STS60120G or S	58"-70"	105"-128"	14"	Galvanized or Stainless Steel

Please call for custom sizes and stainless steel screens.

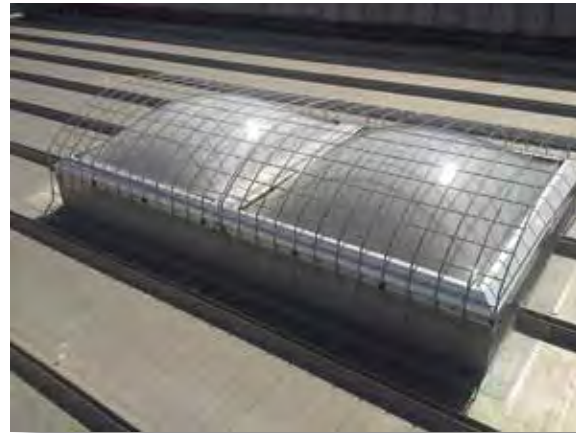
ROOF TOP SAFETY

SRS MODEL SKYLIGHT SCREENS

The SRS Model Skylight Screen rests on the roof surface and comes with vinyl coated stainless steel straps, which mount on the vertical wire grid.



- Screen material is .187 and .250 diameter 304 stainless steel or galvanized carbon steel wire in a 4" x 4" grid
- Self-tapping screws fasten the screen to the frame



SRS Domed Skylight Screens

Part #	Width Range	Length Range	Material
SRS2424G	12"-24"	12"-23"	Galvanized
SRS2436G	12"-24"	24"-35"	Galvanized
SRS2448G	24"-35"	36"-51"	Galvanized
SRS2460G	24"-35"	52"-60"	Galvanized
SRS2472G	24"-35"	61"-80"	Galvanized
SRS2496G	24"-35"	81"-104"	Galvanized
SRS3636G	36"-41"	24"-35"	Galvanized
SRS3648G	36"-41"	36"-51"	Galvanized
SRS3660G	36"-41"	52"-59"	Galvanized
SRS3672G	36"-41"	60"-79"	Galvanized
SRS3696G	36"-41"	80"-103"	Galvanized
SRS4848G	42"-58"	47"-52"	Galvanized
SRS4860G	42"-58"	52"-59"	Galvanized
SRS4872G	42"-58"	60"-79"	Galvanized
SRS4896G	42"-58"	80"-103"	Galvanized
SRS6060G	58"-70"	52"-59"	Galvanized
SRS6072G	58"-70"	60"-79"	Galvanized
SRS6096G	58"-70"	80"-103"	Galvanized
SRS60120G	58"-70"	104"-128"	Galvanized

Please call for custom sizes and stainless steel screens.

ROOF TOP SAFETY

SKYLIGHT NETTING

The Tie Down Skylight Netting is a simple way to temporarily work around skylights. This product prevents workers from falling into a skylight and even offers an anchorage connector when permanently installed.



- Portable
- Easy to use
- Cost-effective
- Includes 2 snap hooks
- Includes carrying bag
- Includes green web strapping and ratchet strap
- Complies with OSHA 1926.502(c), ANSI Z359.1-07, and ANSI A10.32-12

7' x 7'
10' x 10'

Part ID: **65400**
Part ID: **65401**



Applications

- Personnel fall protection
- Skylight/hatch opening cover
- Solar panel installation protection
- New roof construction
- Roof renovation
- Roof maintenance



Specs

- High tenacity polypropylene knot-less net (HTTP)
- Net Size: 7' x 7' or 10' x 10'
- Mesh Size: 4" square
- Cord Diameter: 3/16"
- Color: Bright Safety Orange
- Border: Reinforced with rope border edges
- Melting Point: 320° F

ROOF TOP SAFETY

2 PIECE - 3 PIECE LADDER SAFETY-DOCK

Tie Down Safety is the leading manufacturer of ladder safety systems. The newest innovation, the 2/3 Piece Ladder Safety Dock, establishes a safe and consistent access point for temporary ladder use. The 2/3 Piece Ladder Safety Dock is to be installed on the drip or gravel stop edge and a parapet wall. If the building is existing, then the 2/3 Piece Ladder Safety Dock makes the access point of the roof easily identified by the roofing or mechanical contractor. Tie Down Safety maintains high standards and quality controls using quality raw materials and component parts made in the USA.



2 Piece Ladder Safety-Dock
Part ID: 71069

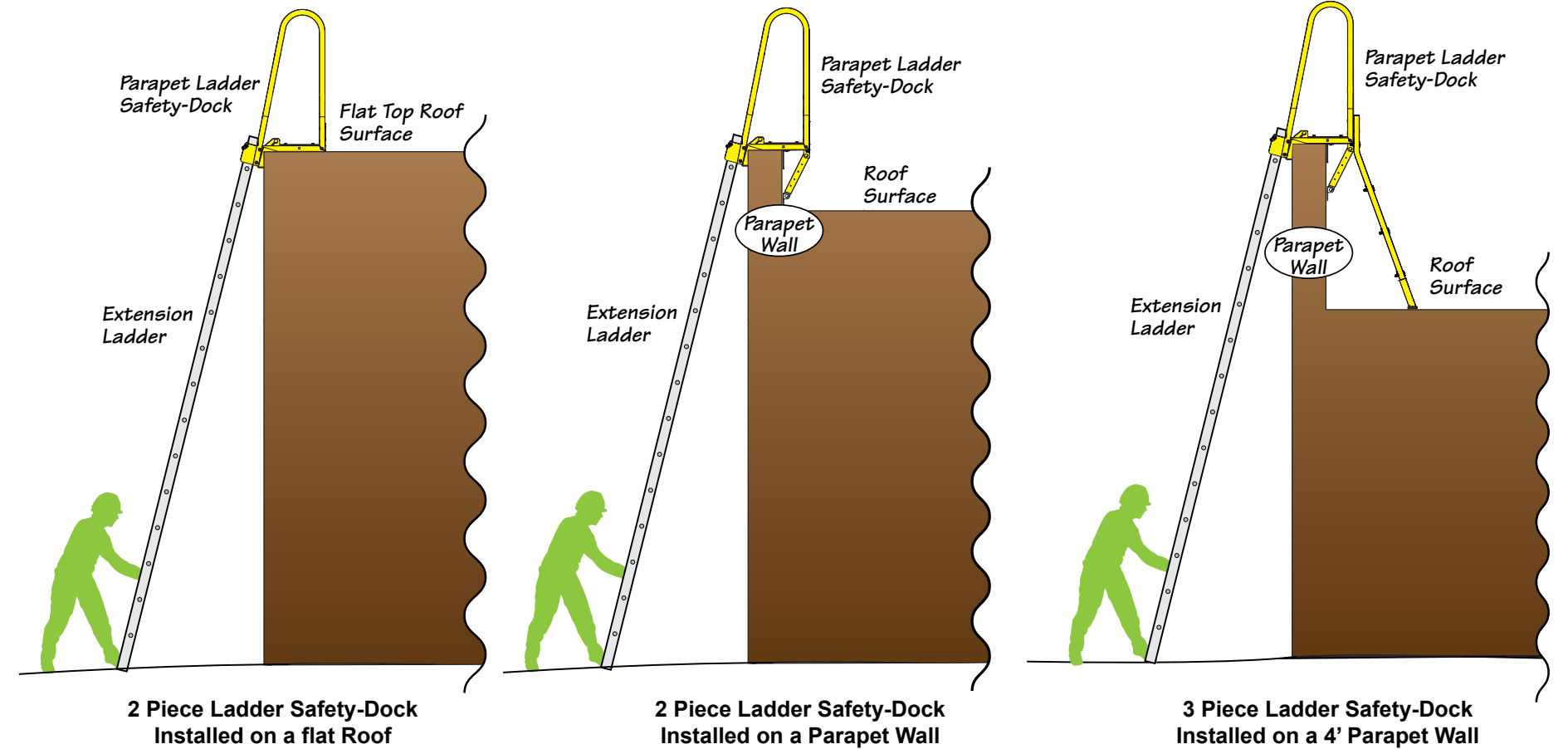
3 Piece Ladder Safety-Dock
Part ID: 71070



- Installs in minutes on a parapet wall
- Can be cut to quickly customize fit
- TS22 Safety Yellow for easy identification
- Nonslip adhesive tape on ladder rungs for added safety
- 3-Piece Ladder Kit fits up to a 4' tall parapet wall
- Locking chain for ladder securement
- Fits all commercially rated temporary ladders



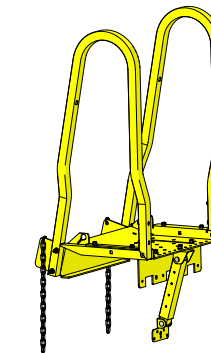
ROOF TOP SAFETY



2 Piece Ladder Safety-Dock
Installed on a flat Roof

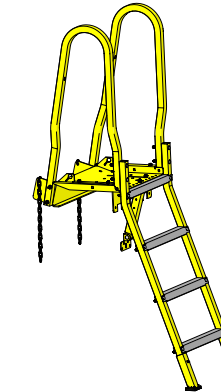
2 Piece Ladder Safety-Dock
Installed on a Parapet Wall

3 Piece Ladder Safety-Dock
Installed on a 4' Parapet Wall



2 - Piece Ladder Safety-Dock
Part ID: 71069

Includes:
Parapet Ladder Safety-Dock with chains
"L" bracket and 2 carriage bolts, washers & nuts
Safety-Handles and mounting hardware
3 - 17" threaded rods with 6 nuts & washers and
3 fender washers, Brace and fasteners



3 - Piece Parapet Ladder
Part ID-71070

Includes:
Parapet Ladder Safety-Dock with chains "L" bracket
and 2 carriage bolts, Safety-Handles and mounting
hardware, 3 - 17" threaded rods with 6 nuts &
washers and 3 fender washers, Brace and fasteners
Parapet Safety-Ladder and 4 mounting bolts & nuts
2 Ladder feet and 2 self-tapping screws

ROOF TOP SAFETY

CROSSOVERS

Made in the U.S.A, the Tie Down Safety crossovers come in a variety of sizes designed to fit your application.

Need a quote? Provide Tie Down Safety with the desired height, width, and length needed to provide a crossover platform.



ROOF TOP SAFETY

CROSSOVERS

Tie Down offers a zero-penetration crossover stair systems which are compliant with all federal and state regulations.

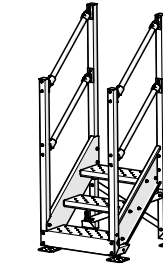
Safely navigate around obstructions without damaging the rooftop.

Tie Down crossovers are constructed of hot-dip galvanized carbon steel framing to deliver exceptional sustainability in all weather conditions. Crossovers make areas obstructed by ducting, piping, or equipment easy to reach for surveying, maintenance, or repairs.

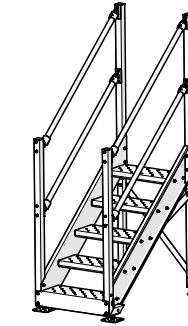
Protect both the lifespan of your roof, and the safety of your workers by controlling the access to various parts of the roof.



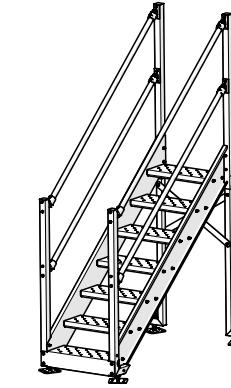
- Non penetrating design
- Non corrosive galvanized parts
- Control access to areas on a roof
- Simple to install with a variety height and length options
- Prolong the life of the roof
- Wind load ratings available
- Custom designs available
- Made in the U.S.A.



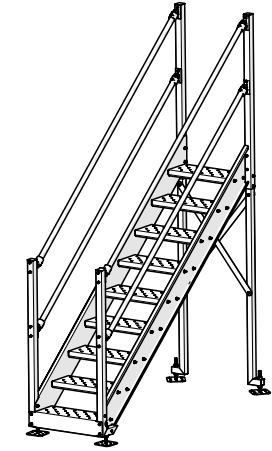
3 Step Crossover
Clearance: 21 in.
Part ID: **71078**



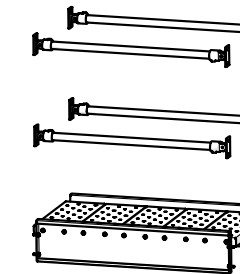
5 Step Crossover
Clearance: 37 in.
Part ID: **71075**



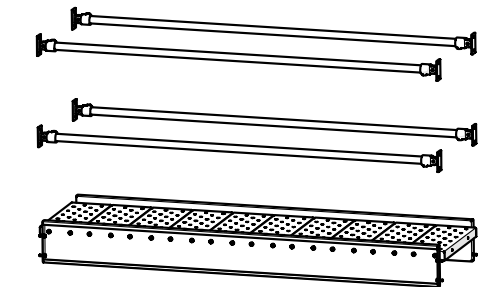
7 Step Crossover
Clearance: 54 in.
Part ID: **71076**



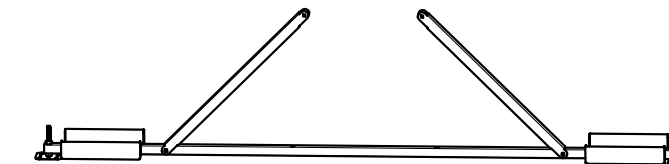
9 Step Crossover
Clearance: 70 in.
Part ID: **71074**



4 ft. Straight Walkway
Part ID: **71079**



8 ft. Straight Walkway
Part ID: **71072**



Stair Stabilizer (One)
Part ID: **71100**

PERMANENT VERTICAL LADDER SYSTEMS

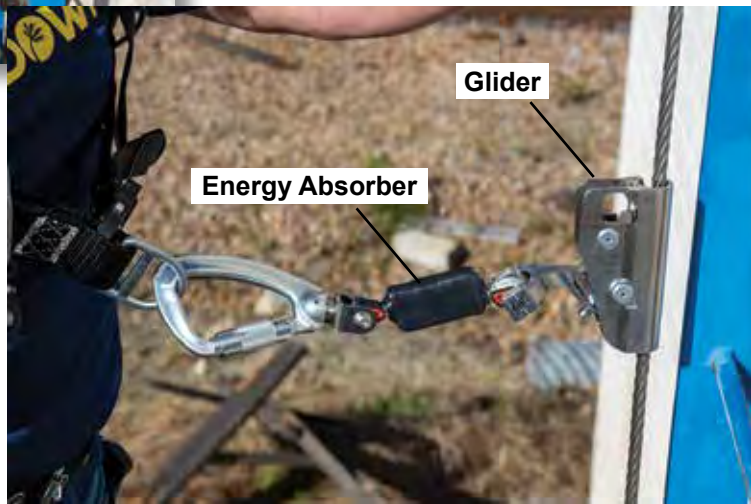
FIXED LADDER FALL ARREST SYSTEM

The Fixed Ladder Fall Arrest System (FLFA) acts as a moving lifeline connector for buildings, water towers, masts, and industrial applications.

This system uses stainless steel cables and adapts to all ladder types, round or square rungs. The opening glider can be inserted or removed with a twin safety mechanism.



- Shock absorber system
- Mounts easily
- No special tools needed
- Overpassing anchors
- No deformation of intermediate anchors
- Available in various lengths and custom lengths



Fall arrest opening glider fitted with energy absorber.

Passing smoothly through the anchors, the glider locks in case of a fall.

Cable Glider
Part ID: 13648



Quick Set Extension/Anchor Point
Part ID: 13645



Tensioner



Intermediate Anchor



PERMANENT VERTICAL LADDER SYSTEMS

FIXED LADDER FALL ARREST SYSTEM



- No special tools required for installation
- One worker in fall arrest
- Stainless steel and aluminum system
- Custom lengths available
- Optional top rung extender available

Compliant with OSHA 1926
Subpart M, ANSI Z359.16

- The FLFA kit includes
- Top anchor mount
 - Cable guide
 - Bottom mount
 - Stainless steel Cable

*FLFA does not include Cable Glider or Quick Set Extension/Anchor Point

*Call for custom kit pricing

FLFA KIT OPTIONS

Part ID:	Description
70819-25	30'
70819-50	55'
70819-75	80'
70819-100	105'
70819-125	130'
70819-150	155'
70819-175	180'
70819-200	205'
13648	Cable Glider (See page 66)
13645	Quick Set Extension

PERMANENT VERTICAL LADDER SYSTEMS

SECURE ROPE

The Secure Rope acts as a fall arrest system for windmills, pylons, masts and industrial applications.

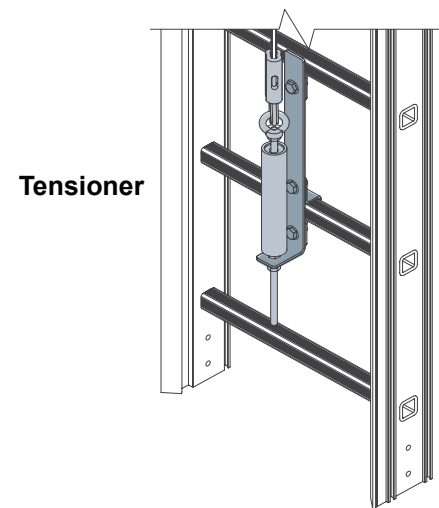
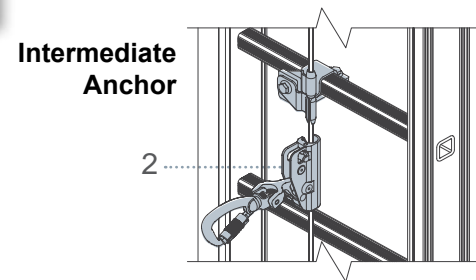
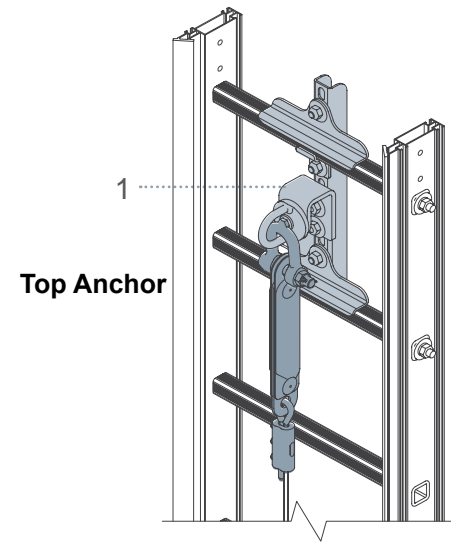
This system uses stainless steel cables and adapts to all ladder types. The opening glider can be inserted or removed with a twin safety mechanism.



- Two options: Absorber integrated into the glider or top of the lifeline
- Mounts easily
- No special tools needed
- Overpassing anchors
- No deformation of intermediate anchors
- Cable vibration absorption system
- Available in 10' increments and custom lengths



Secure Rope VLL	
Part ID:	Description
77102	20'
77103	30'
77104	40'
77105	80'
77106	120'
77107	160'
13648	Cable Glider



Two options for fall arrest systems:

1: Energy absorber fixed on the top anchor. It is permanently fixed on the lifeline.

2: Energy absorber fixed on the opening glider. The glider locks instantly in case of a fall, triggering the energy absorption device.

PERMANENT VERTICAL LADDER SYSTEMS

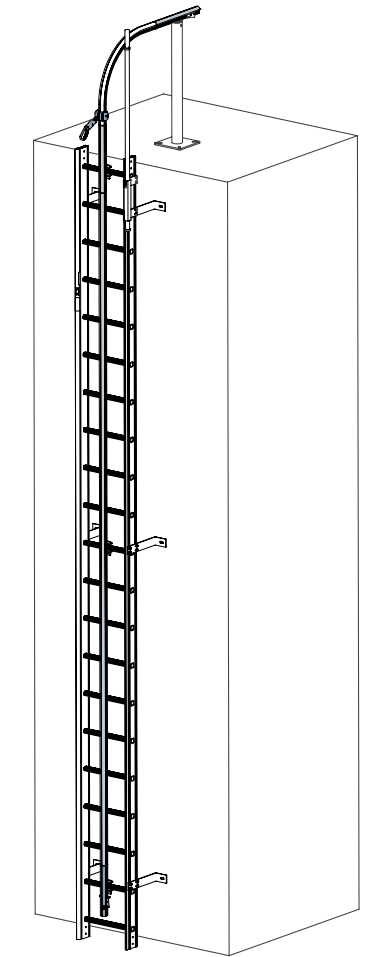
SECURAIL PRO VII

The Secure Rail is a rigid anchoring device securing access to different types of structures. It clamps on a ladder's rungs while a trolley fitted with an energy absorber stops immediately in case of a fall.

Easily used and adapted to all ladder types.



- Smooth trolley operation
- Multiple ways to secure the ladder exit
- Trolley locks instantly in fall arrest
- All fall arrest forces are transmitted between the two brackets around the fall area
- No deflection
- Low forces transmitted to the body of the end user



A Secure Rail is integrated to the frame of a ladder. A GRANVIA 4 trolley is inserted on this frame, which means that the user can comfortably climb up the ladder while being secured at all times.

Securail Pro VII	Part ID:
20'	77109
30'	77110
40'	77111
80'	77112
120'	77113
160'	77114
Optional Curve Exit with post on roof for Securail Pro VII	77108
Granvia Trolley	13616

COMMERCIAL FALL PROTECTION ANCHORS

COMMERCIAL ROOF ANCHORS

Tie Down's Commercial Roof Anchors (CRA's) provide the ideal fall protection anchor where height restrictions apply and where workers operate on suspended roofs, self-powered platforms, or anywhere active fall protection is required.

Our CRA's are a key component for your active fall protection plan.



Made In The **USA**



COMMERCIAL FALL PROTECTION ANCHORS

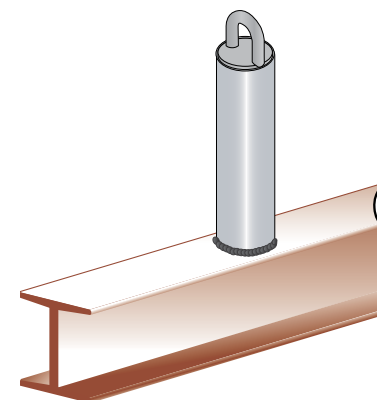
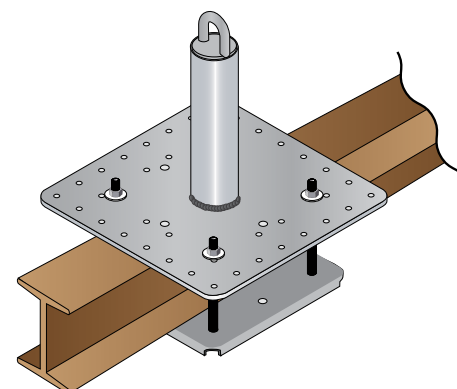
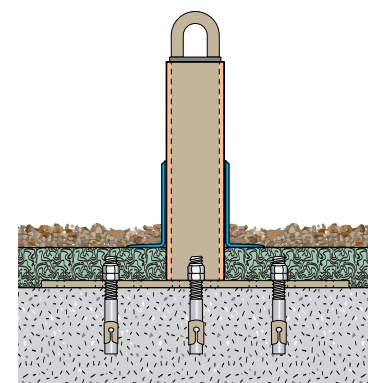
APPLICATIONS

- Window washing davit systems, building and facade maintenance systems
- Unprotected or leading edge hazards
- Rope descent system anchor
- Lifeline anchorage for workers operating on self-powered or roof-powered
- Use with temporary rigging equipment



COMMERCIAL FALL PROTECTION ANCHORS

Like many of Tie Down products, we offer you a range of options for size and installation for our CRAs. Whether you prefer bolt-on or welding, our CRAs range from 8" to 24" in riser size and offer either installation option.



.625" Welded Loop								
Riser	Sch	O.D.	Base Thickness	Base Size	Attachment Type	Number of Holes/Fasteners	Weight in lbs.	Tie Down Part #
8"	40	3"	3/8"	16" x 16"	Screw/Bolt On	40 Wood/Metal/8 Concrete	30.25	70861-L16
	40	3"	3/8"	11" x 11"	Bolt On	8 Concrete	16.5	70861-L11
	40	3"	N/A	N/A	Weld On	Field Weld - 5/16"	4.5	70861-LF
12"	40	3"	3/8"	16" x 16"	Screw/Bolt On	40 Wood/Metal/8 Concrete	33.0	70864-L16
	40	3"	3/8"	11" x 11"	Bolt On	8 Concrete	19.25	70864-L11
	40	3"	N/A	N/A	Weld On	Field Weld - 5/16"	7.0	70864-LF
18"	40	3"	3/8"	16" x 16"	Screw/Bolt On	40 Wood/Metal/8 Concrete	36.5	70870-L16
	40	3"	3/8"	11" x 11"	Bolt On	8 Concrete	22.75	70870-L11
	40	3"	N/A	N/A	Weld On	Field Weld - 5/16"	10.75	70870-LF
24"	40	4"	1/2"	16" x 16"	Bolt On	16 Concrete (8 required)	55.25	70873-L16
	40	4"	1/2"	11" x 11"	Bolt On	16 Concrete (8 required)	36.5	70873-L11
	40	4"	N/A	N/A	Weld On	Field Weld - 5/16"	20.25	70873-LF
36"	40	4"	5/8"	16" x 16"	Bolt On	16 Concrete (8 required)	74.75	70879-L16
	40	4"	5/8"	11" x 11"	Bolt On	16 Concrete (8 required)	51.25	70879-L11
	40	4"	N/A	N/A	Weld On	Field Weld - 5/16"	31.0	70879-LF

Swivel Cap								
Riser	Sch	O.D.	Base Thickness	Base Size	Attachment Type	Number of Holes/Fasteners	Weight in lbs.	Tie Down Part #
12"	40	3"	3/8"	16" x 16"	Screw/Bolt On	40 Wood/Metal/8 Concrete	33.0	70864-S16
	40	3"	3/8"	11" x 11"	Bolt On	8 Concrete	19.25	70864-S11
18"	40	3"	3/8"	16" x 16"	Screw/Bolt On	40 Wood/Metal/8 Concrete	36.5	70870-S16
	40	3"	3/8"	11" x 11"	Bolt On	8 Concrete	22.75	70870-S11

Material Specifications: Loop Top Fixture: .625" Welded Loop Finish: Hot Dip Galvanized
Loop Top Fixture: Loop tops are designed for compatibility with snaphooks, carabiners, and SAS HLL fixtures.
DO NOT ATTACH MORE THAN ONE CONNECTOR TO A LOOP TOP AT ANY TIME

COMMERCIAL FALL PROTECTION ANCHORS

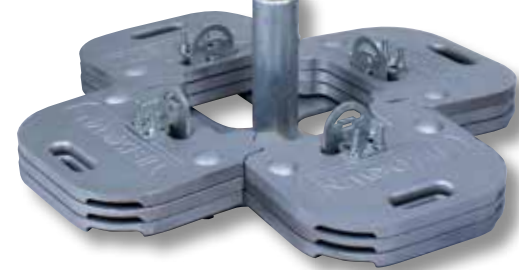
HIPPO ANCHOR

The Hippo Anchor is a dead weight anchor system that rests on top of the roof without penetration. This prevents leaks and other damage from occurring. Designed for temporary or permanent use, this fall arrest and fall restraint system is easy to assemble and transport.

The Hippo Anchor complies with OSHA standards for one worker in fall arrest or two in fall restraint.



- 39.5" x 39.5"
- Must be installed at least 10' from an edge
- Compatible with roofs with up to a 5° pitch
- Designed for compatibility with lanyards with 900 lbs. maximum arresting force
- Military Code - EM 385 -1, and ASSE z359.1, OSHA 1926.502 compliant
- Galvanized coating and corrosion resistant
- Fall restraint up to 2 workers when 20" away from the edge
- Raised central anchor reduces the travel distance in the case of fall arrest



Hippo Counterweight Anchor

12 Plate System, 635 lbs.
Part ID: **65219**

16 Plate System, 825 lbs.
Part ID: **65220**

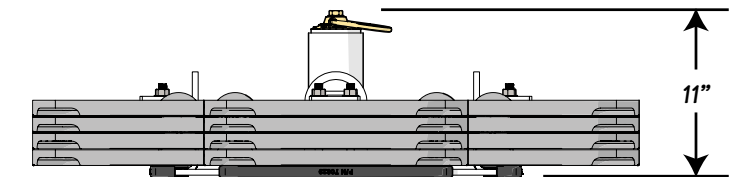
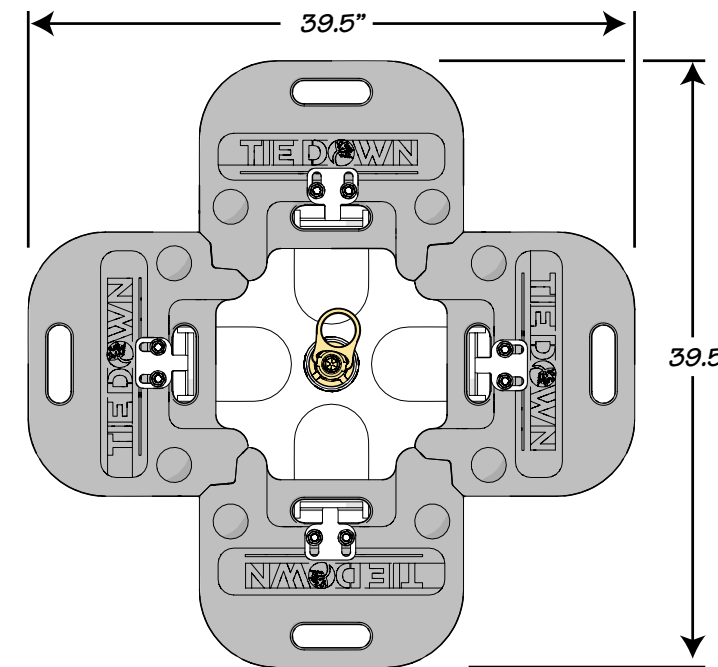
Counterweight, 45 lbs.
Part ID: **11032**



- Standard 360° rotation
- Rigging points for lifting



- Galvanized and corrosion free parts
- System breaks down for easy transport
- Easy to assemble in minutes



- 45 lbs. each
- 14" x 17" x 1"
- Galvanized iron

COMMERCIAL FALL PROTECTION ANCHORS

HITCHCLIP®

The HitchClip is a lightweight rooftop anchor that offers easy installation for both permanent and temporary applications. Powder-coated aluminum coating makes it durable while the “key-hole” design makes it compatible with a variety of accessories.

3 Pack	Black	Part ID: 65087
3 Pack	Red	Part ID: 65088
25 Pack	Black	Part ID: 65089
100 Pack	Black	Part ID: 65086-BK-100



COMMERCIAL FALL PROTECTION ANCHORS

4-WAY ROOF ANCHOR

The 4-Way Roof Anchor is ideal for one worker in arrest or two workers in restraint. Designed for metal, wood, and concrete applications.

Part ID: **65080**



THE TWO-WAY STANDING SEAM ROOF ANCHOR

The Two-Way Standing Seam Roof Anchor is a reusable anchor that fits most styles of standing seam roofs. The compact design allows easy storage and transportation around a job-site.



- Fits seams up to 1”
- Damage-free design
- Single tie-off point for retractable lanyards, vertical lifelines, and shock absorbing lanyard

NOTE: This product can not be used in a horizontal lifeline system closer than 4’ from the edge

Part ID: **13864**



COMMERCIAL FALL PROTECTION ANCHORS

DOOR JAMB ANCHOR

The Door Jamb Anchor acts as a portable anchor point designed for fall arrest. The design works in locations where a door or window frame provides a safe, secure, and temporary anchor site.



- Single user tie-off
- Adjustable from 21" to 52"
- Lightweight design
- Easy installation

Part ID: 65078

**NEW
PRODUCT**



COMMERCIAL FALL PROTECTION ANCHORS

PARAPET ROOFING ANCHOR

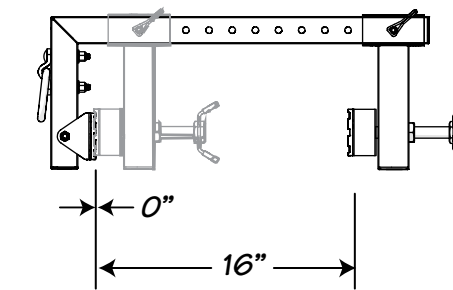
The Parapet Roofing Anchor provides a tie-off point for work on a lower-level surfaces and works with retractable lanyards, vertical lifelines, and shock absorbing lanyards.



- Single point tie-off anchor for fall arrest
- Includes a safety pin for secure setup
- Rated for 5000 lbs.
- Incorporate a horizontal lifeline system up to 20' for increased mobility for one worker
- By using the adjustable screw, this Parapet Guardrail Clamp adjusts to wall widths between 4" to 16"
- Complies with OSHA 1926.502(d)(15)

Part ID: 65077Z

**NEW
PRODUCT**



JOB SITE SAFETY

“Do not allow your mind to be imprisoned by majority thinking. Remember that the limits of science are not the limits of imagination.”

- Dr. Patricia Bath

When it comes to providing unique safety solutions, Tie Down does not limit our imagination. Our customers trust us because of our desire to push the boundaries of design, engineering, and manufacturing.

The Alsipercha system represents this mindset. It provides many practical overhead solutions, not just one. This system works for many types of job sites, including industrial applications.



JOB SITE SAFETY

Did you know?

Many construction contractors build Double tees. These are used on parking structures and the walls and roofs of commercial and residential buildings.

Double tees are delivered to the job site on a large, flatbed trailer, since they can reach up to 100' in length.

This presents a challenge for contractors, since unloading can be dangerous due to uncontrolled swinging in place.

What does Tie Down Safety suggest?

When contacted by a constructor to discuss possible solutions, our team conducted a site assessment and determined the Alsipercha Counterweight System would be the best solution.

Standing up to 21' high, the overhead tie-off point can rotate away from the load and allow workers to safely attach while installing Double Tees. The Alsipercha provides a safe and mobile solution for a variety of job sites.

JOB SITE SAFETY

ALSIPERCHA

The Alsipercha system provides portable fall protection for workers in leading edge construction, especially around perimeters.

This system assists in the installation of:

- Boards
- Safety handrails
- Gallows type safety nets
- Work risers
- & more!

Minimize the risk of falling with the Alsipercha.

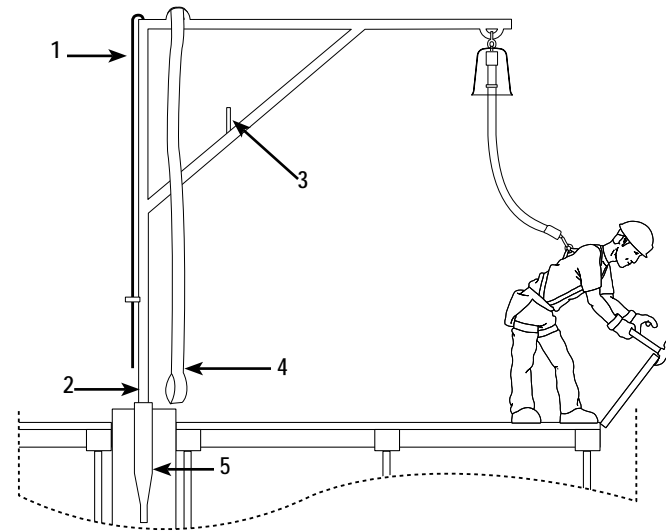
ANSI/CSA Engineered according to ANSI Z359.6 and CSA Z259.1 standards.



ANSI/CSA Engineered according to ANSI Z359.6 and CSA Z259.1

COMPONENTS

- 1 ~ Hook #13896
(accessory for changing the anchor point)
- 2 ~ Alsipercha L Bracket
14ft-3in x 8ft-2in #13891
(main body that turns 360°)
- 3 ~ Pivot Point
(used to anchor the hook)
- 4 ~ Sling #13910
(used to move the assembly with a crane)
- 5 ~ Conical Tube #13890
(case into the concrete column)



JOB SITE SAFETY

ALUPERCHA

The Alupercha provides portable fall protection for workers in leading edge construction, especially around perimeters and horizontal form work.

The lightweight design of 42 lbs. allows easy installation by hand without the need of a crane.

The Alupercha assists in the installation of:

- Guardrail installation
- Form-work risers
- Gallows-type safety nets
- & More!

The Alupercha is fully compatible with all Alsipercha accessories.

ANSI/CSA Engineered according to ANSI Z359.6 and CSA Z259.1 standards.

Alupercha L Bracket
Part ID: **13914**

Conical Sleeve Tube
Part ID: **13890**



Features

1. Lightweight structure (42 lbs.) made of high-quality elastic aluminum
2. Single-person installation and operation with no lifting equipment or crane required
3. A built-in energy absorber device reduces forces transmitted to the structure and to the user.
4. Inverted "L" shaped and 100% aluminum structure measuring 6' 7". long and 10' 2" high (7 ft- 4 in. when attached to the column).
5. Allows the operator to work safely covering an area of 1345.49 sq. ft.
6. Move within a radius of 18' around the vertical boom.
7. Alupercha housing steel tube measuring 33-1/2" long.
8. A system designed for columns spaced up to 26'

JOB SITE SAFETY

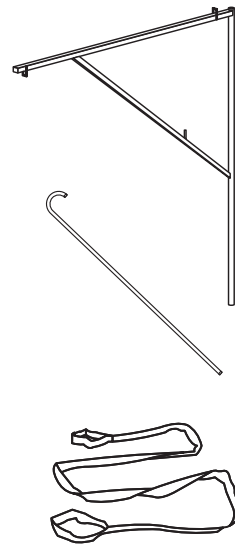
ALSIPERCHA - "L" FRAME

These accessories allow the proper operation of the Alsipercha "L" Frame System.

"L" Frame Assembly
Part ID: **13891**

Hook
Part ID: **13896**

Sling
Part ID: **13910**

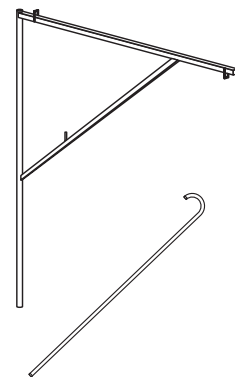


ALUPERCHA "L" FRAME

These aluminum accessories allow the single-person operation of the lightweight Alupercha "L" Frame System.

"L" Frame Assembly
Part ID: **13914**

Hook
Part ID: **13913**



JOB SITE SAFETY

CONICAL CONE

The Conical Cone completes and guarantees the proper use of the Alsipercha Conical Cone Frame attachment.

Column Clamp (x2) Part ID: **13893**
Column Clamp Sleeve Part ID: **13894**

TRIPOD

The Tripod accessory supports and stabilizes the Alsipercha.

Part ID: **13892**

CONICAL TUBE

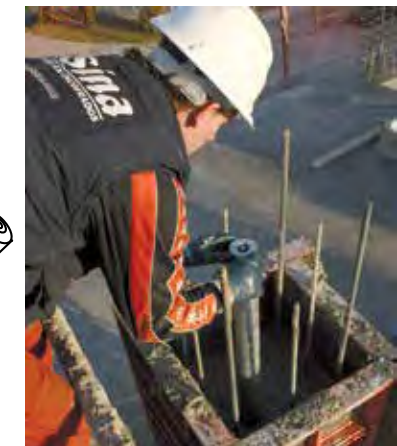
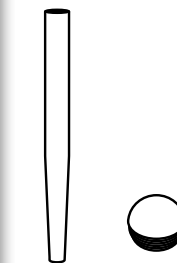
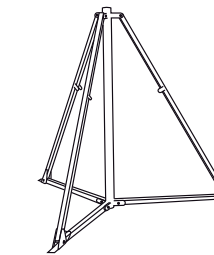
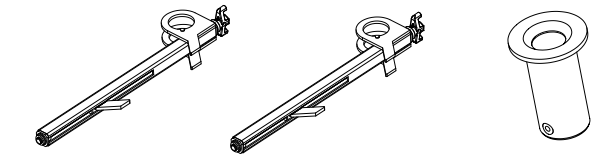
The Conical Tube casts into the concrete column and houses the Alsipercha fall arrest system.

Part ID: **13890**

LEVELING ELEMENT

The Leveling Element goes into the Conical Tube to ensure vertical alignment, preventing the housing tube from rising under the pressure of concrete.

Part ID: **13897**



JOB SITE SAFETY

ALSIPERCHA COUNTERWEIGHT MF

The Alsipercha Counterweight MF accessory guarantees an effective use of working above vehicles by using the vehicle's weight as a counterweight.

When working in unknown territory, this is the perfect accessory to use since it does not require anchoring to the ground.



- Includes 3 built-in adjustable supports that correct unevenness on the surface
- Available in 18' or 21'-4" configurations

Counterweight System
Part ID: **77115**

Alsipercha L Bracket 14'-3" x 8'-2"
Part ID: **13891**

**NEW
PRODUCT**



JOB SITE SAFETY

ALSIPERCHA/ALUPERCHA MBU - MOBILE BASE UNIT



- Rated for one worker in fall arrest
- Portable system protects users from falling at heights with a fall factor of 0
- Easy installation allows easy relocation
- Built-in energy-absorbing device reduces the impact forces transferred to the user and the structure in the event of a fall
- 55 lbs. counterweights for easier assembly/disassembly and relocation
- Built-in leveling legs to correct gradients of up to 10°
- MBU System with Alsipercha L Bracket:
Total Weight: 3,300 lbs., Height: 21.5'

MBU System
Part ID: **77101**

Alsipercha L Bracket 14'-3" x 8'-2"
Part ID: **13891**

Alupercha L Bracket
Part ID: **13914**

**NEW
PRODUCT**



JOB SITE SAFETY

SAFEACCESS FALL ARREST SYSTEM

The SafeAccess Fall Arrest Rail functions best in industrial industries with low fall clearance. The anti-deformity design allows overhead installation and resists salt-water deterioration with a high-quality powder coated surface treatment.

ATEX certification makes this product ideal for potentially explosive and dangerous locations.

The NAV 3 trolley comes equipped with rollers and allows smooth functioning without any action from the end user.

*Contact Tie Down for pricing and information.



JOB SITE SAFETY

SAFEACCESS FALL ARREST SYSTEM

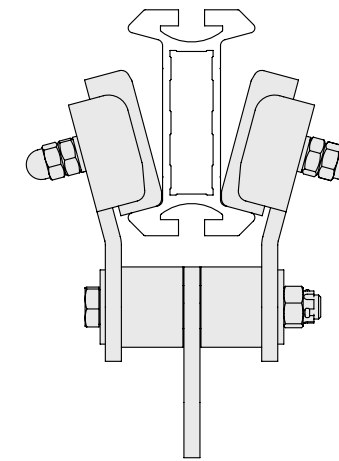
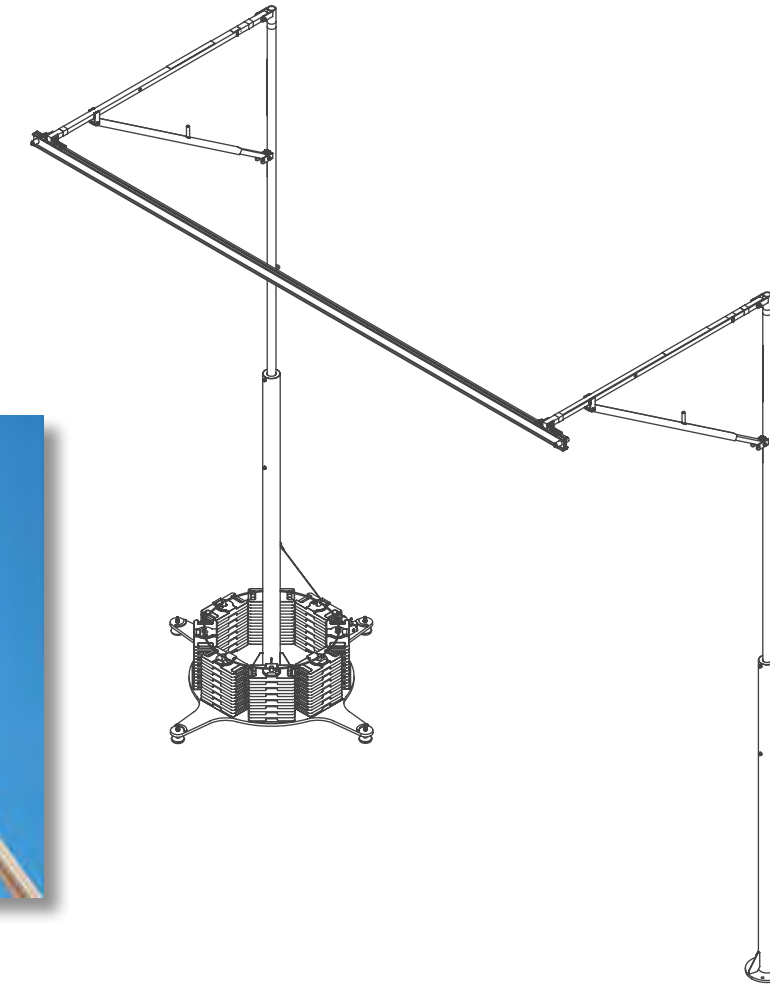
The Flexbow outrigger beam secures loading bays and machinery. The incorporated energy absorber and lightweight design allows use in industrial applications with a minimum fall clearance of 4 meters.

When combined with the SafeAccess Fall Arrest Rail, the Flexbow provides access to the top of vehicles.

Configurations available:

- Mobile
- Fixed on ground
- Fixed on wall
- & More!

*Contact Tie Down for pricing and information.



The SafeAccess rail combined with a safety block enables the safest possible fall arrest.

JOB SITE SAFETY

SITE SAFETY TOWER

The Site Safety Tower is a portable power and site safety system that fully integrates Emergency Activation System (EAS).

This lightweight system (35 lbs.) is easy to transport with the dolly style handles and is coated with high visibility TS22 paint.

Applications include but are not limited to:

- Construction sites
- Plant maintenance
- Plant Turnarounds
- Hazardous location operations
- Show exhibits
- Warehouses

Discover the importance and power of emergency management on the job.

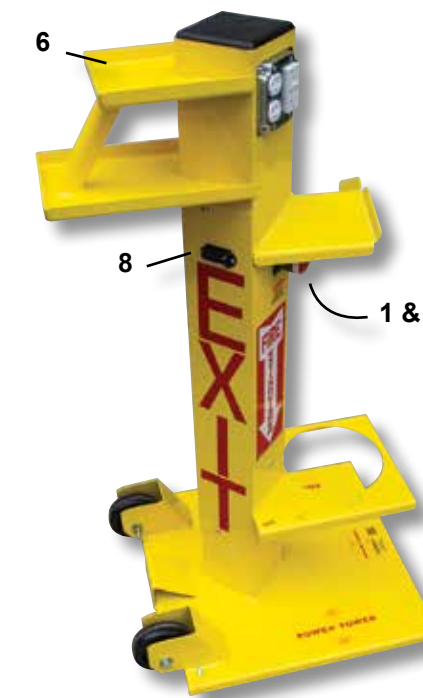
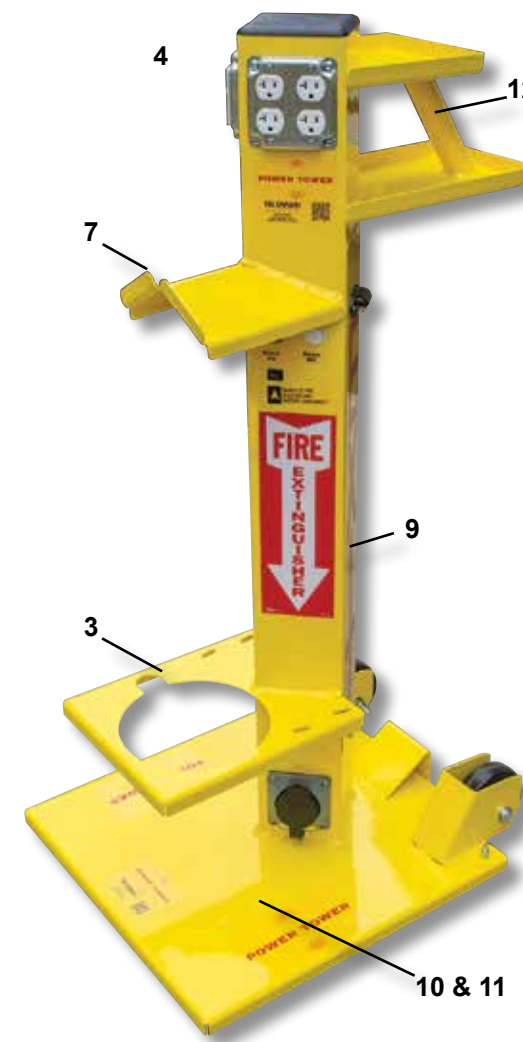
Part ID: 65100



SITE SAFETY TOWER

Features:

- 1 Emergency Alert System (EAS)
- 2 120 Decibel loud siren
- 3 10/20 lb. Fire extinguisher mount
- 4 20 Amp/120 volt duplex receptacle outlets
- 5 20 Amp/120 volt GFCI
- 6 Tool organizer/caddy
- 7 Extension cord mounting bracket
- 8 Emergency power failure LED beacon
- 9 One hour emergency back up battery
- 10 Heavy-duty aluminum
- 11 Proprietary high-visibility TS22 coating protects against UV damage
- 12 Easy-grip dolly style handle



JOB SITE SAFETY

Power:

120 Volt Circuit Power. Site Safety Tower Portable Power Distribution Center utilizes a 20A GFCI system to protect against wiring faults or moist environments. Each duplex outlet provides 20 A/120 V service, all protected by the GFCI receptacle. Charge smart phones, tablets, laptops and tools.

Power Connection Recommendation:

Connect L5-20P electrical connector to service panel using suitable wire gauge for the wire length (minimum 12-gauge). Alternatively, use a suitable adapter to connect to the L5-20P twist lock inlet. All connections must be correctly grounded and have current limit protection at 20-amps.

JOB SITE SAFETY

TRANZVOLT SOLAR TILT KIT

The development of the TranzVolt system began when several companies approached Tie Down looking for a more efficient and effective powered platform hoist. We worked directly with these companies to outline the shortcomings of existing products and identify solutions specifically tailored for multiple industries. In today's competitive market, time is extremely valuable. The TranzVolt system saves time in setup and operation, enabling contractors to install more solar panels, roof more square feet, and lift more materials per day. Tie Down Safety maintains high standards and quality controls utilizing the best safety product applications in the world.

Part ID: 40653



JOB SITE SAFETY

TRANZVOLT CARRIAGE KIT

The power-train and control systems were developed using the latest in mechanical and electrical design tools.

The TranzVolt represents a new era of powered platform lifting hoists and a new era for Tie Down.

With convenient one-press operation, operators can send the hoist up while preparing the next load. Multitasking improves efficiency. An automatic homing routine learns the height of the track section, so the TranzVolt always stops safely at the top.

A first-of-its-kind dual-mode braking system allows materials to be brought down off the roof and held safely at any height. In the event of a failure, the brake will safely lock the carriage in place.

Part ID: 40650



LADDER SAFETY

COMMERCIAL LADDER DOCK

The Tie Down Safety Commercial Roofing Ladder Dock provides a safe access point for most ladders on commercial roof edges. This ladder dock protects the roof against unsightly damage while tie-off point and safety chains allow additional security.

Tie Down's Residential Ladder Dock attaches to the roof edge while protecting the roof against this unsightly damage! The slip-resistant tie off and safety chains ensure additional security.

This product assists the efforts of maintenance and HVAC technicians, construction workers, roofing contractors and employees, and more!



- Complies with OSHA 1926.1053(b)(6)
- Non-corrosive aluminum
- Installs on flat, sloped, and parapet roofs
- Includes safety chains
- Includes fasteners
- Slip-resistant

Materials:
1/8" Aluminum diamond plate
Weight: 9 lbs.

Part ID: 70831



**NEW
PRODUCT**



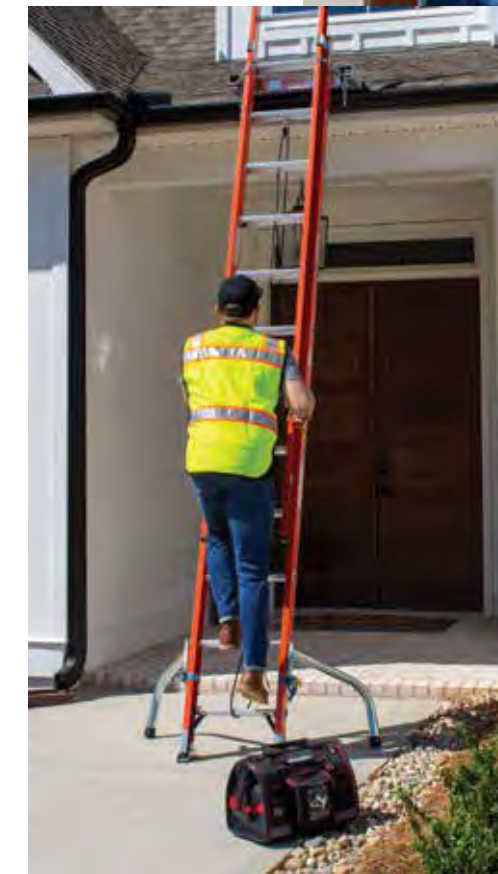
LADDER SAFETY

LADDER SAFETY-LEGS

Our Ladder Safety-Legs provide workers stability at the top of the ladder. Adjust the legs independently to support uneven surfaces. Falls from portable ladders, no matter the type, are one of the leading causes of injury in residential spaces. When additional ladder safety is needed, choose the Ladder Safety-Legs for a more secure jobsite.

Part ID: 70833

**NEW
PRODUCT**



LADDER SAFETY

LADDER STABILITY ANCHOR

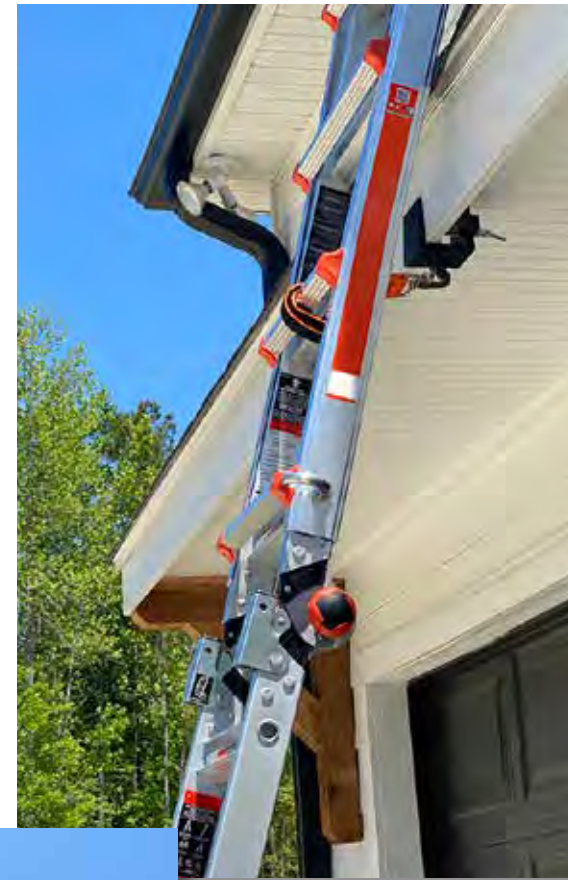
OSHA regulation 1926.1053(b)(1), states, "...the ladder shall be secured at its top to a rigid support that will not deflect." The Ladder Stability Anchor functions to clamp to a roof (without any penetration of the substrate) and then secure to the top rung of a ladder with two 48" Velcro straps, ensuring that the ladder will not fall or move. No special tools to install



- Allows for secure attachment, with out penetration, of the fascia board or to rafters
- Ideal for workers needing to access rooftops of existing or new homes
- No special tools are required and it only takes seconds to attach
- Includes two 48" straps

Part ID: 70827

**NEW
PRODUCT**



We Own The Edge™

TIE DOWN

MANUFACTURING INGENUITY

Safety Products Division
605 Stonehill Drive SW, Atlanta, Georgia 30336
404-344-0000 • www.tiedown.com

ISO 9001:2015 Certification
Intellectual Property of TIE DOWN Inc. ©2018 TIE DOWN, Inc.
#08298 - E1658 Rev. 10/8/2021

Safety Rail Source, LLC
2570 Blvd. of the Generals
Suite 200
Norristown, PA 19403
877-723-3766
www.safetyrailsources.com



WARNING: Products described in this catalog may contain chemicals, including Nickel, which are known to the State of California to cause cancer. For more information go to: www.P65Warnings.ca.gov.