

PN: SRL711212



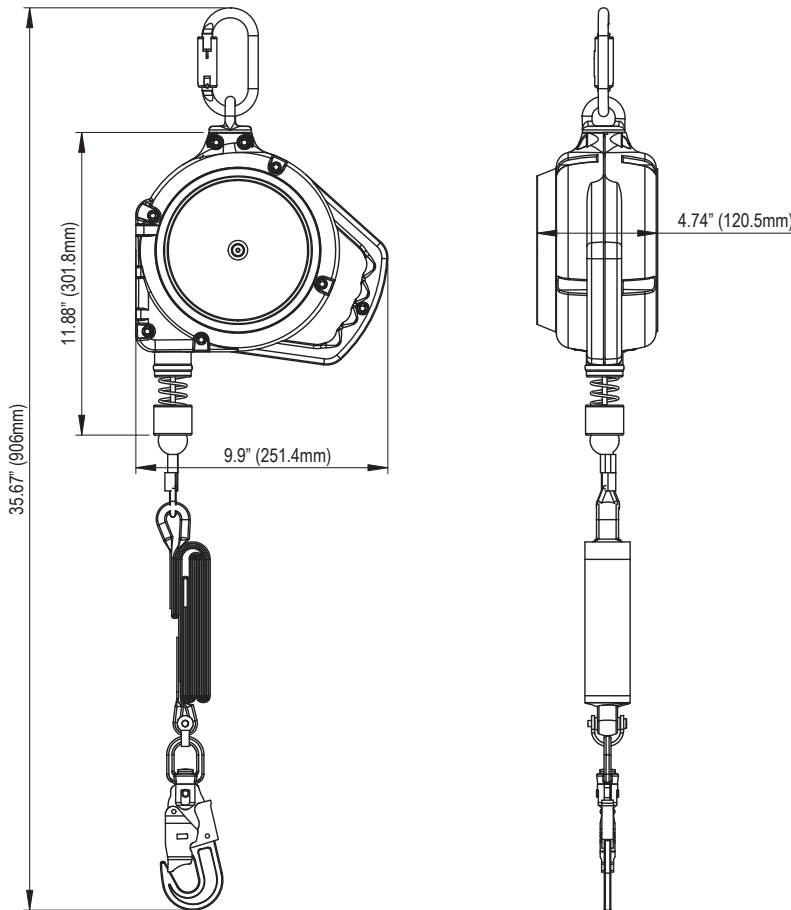
• Fall Protection • Competent Training • Netting • PPE

Phone: (504) 733-1808
Fax: (504) 733-2996
PalmerSafetyUS.com

TECHNICAL SPECIFICATIONS

SRL LE 33' Galvanized Cable with Small Hook

33 ft. Leading Edge Retractable with galvanized cable, 3/4" load indicator hook, 1/2" carabiner. Black Housing. Min breaking strength 3000 lbs. Meets or Exceeds ANSI Z359.14-2014, ANSI Z359.14-2014 SRL-LE.



- PHYSICAL PARAMETERS:**
- Composite housing.
 - Integrated Carry Handle.
 - Has swivel anchorage eye at anchorage end. Swivel steel snap hook at attachment end (gate strength 3600 lbs.).
 - Galvanized steel wire rope.

LENGTH: 33 ft.

CABLE: Material: Galvanized steel wire rope

WEBBING: Material: Polyester

MINIMUM BREAKING STRENGTH: 3000 lbs.

NORM: Meets or exceeds ANSI Z359.14-2014, ANSI Z359.14-2014 SRL-LE.

WEIGHT: 15.2 lbs. ± 0.02 lbs.