

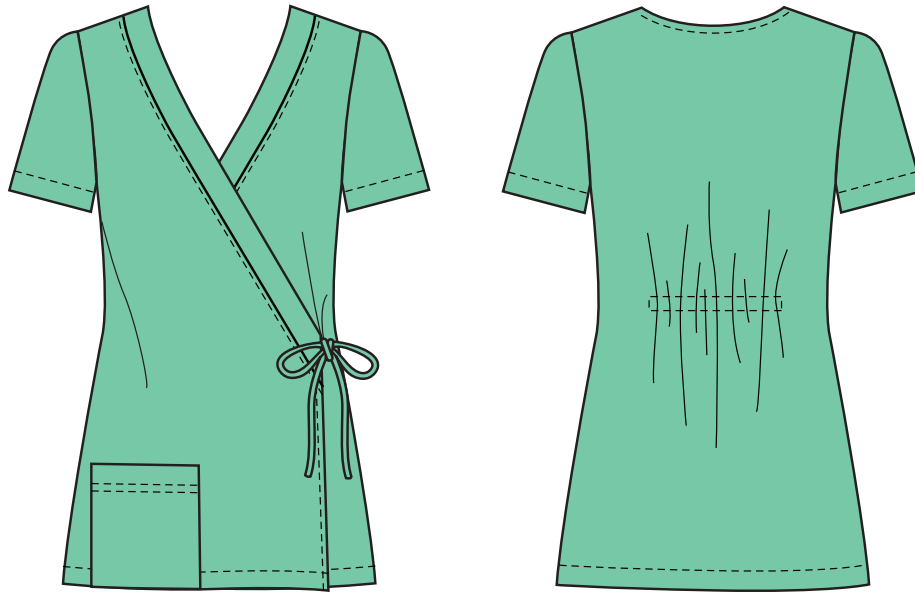


PDF PATTERNS

M8172

McCall's®

WRAP SCRUB TOP



PIECES (6)

TOP

- 1 FRONT
- 2 NECK BAND
- 3 FRONT TIE END
- 4 POCKET
- 5 BACK
- 6 SLEEVE

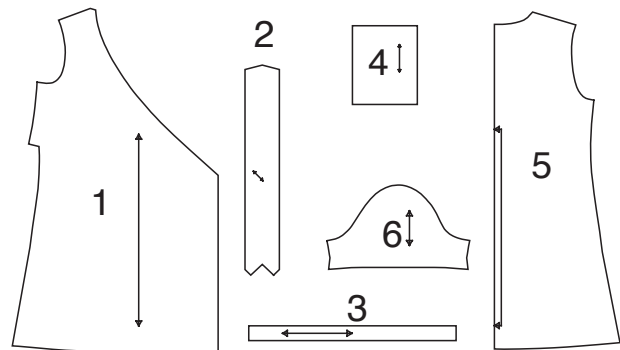
THINGS YOU'LL NEED

NOTIONS

- › One pkg. of ¼" (6mm) wide elastic, 1¼(1.10m) yd. of ⅜"(1cm) wide ribbon for ties.
- › One package of ½"(1.3cm) wide Single Fold Bias Tape.

SUGGESTED FABRICS

- › Cotton and Cotton Blends, Laundered Cottons, Broadcloth, Chambray, Poplin.
- Allow extra fabric for matching plaids or stripes.

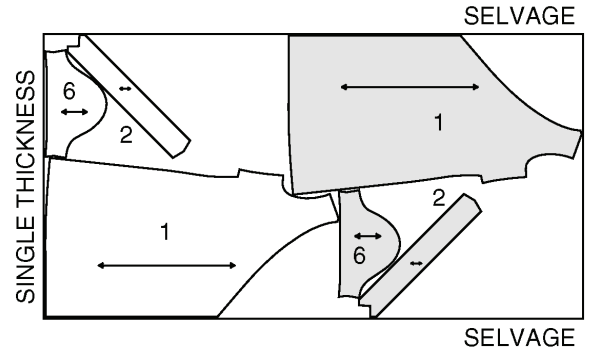
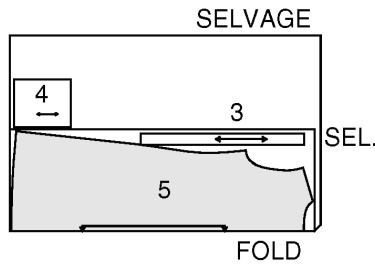


COMMUNITY

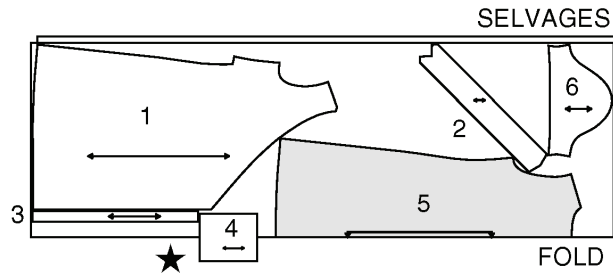


CUTTING INFO

USE PIECES: 1,2,3,4,5,6
44" 45" (115CM)
WITH NAP



USE PIECES: 1,2,3,4,5,6
58" 60" (150CM)
WITH NAP



YARDAGE

SIZES	SMALL	MEDIUM	LARGE	
SUB SIZES	8-10	12-14	16-18	
45"***	2 3/8	2 3/8	2 1/2	yds.
60"***	1 5/8	1 5/8	1 3/4	yds.

BODY MEASUREMENTS

SIZES	SMALL	MEDIUM	LARGE	
SUB SIZES	8-10	12-14	16-18	
BUST	31 1/2 - 32 1/2	34-36	38-40	in.
WAIST	24-25	26 1/2 - 28	30-32	in.
HIP	33 1/2 - 34 1/2	36-38	40-42	in.
BACK- NECK TO WAIST	15 3/4-16	16 1/4-16 1/2	16 3/4-17	in.

FINISHED GARMENT MEASUREMENTS

SIZES	SMALL	MEDIUM	LARGE	
SUB SIZES	8-10	12-14	16-18	
BUST	38	41 1/2	45 1/2	in.
BACK LENGTH FROM BASE OF NECK	42	42 1/2	43	in.

TOP

NOTE: USE 5/8" (1.5 CM) SEAM ALLOWANCES UNLESS OTHERWISE INDICATED

- 1** STAY-STITCH upper edge of front. Make dart in front; press down.

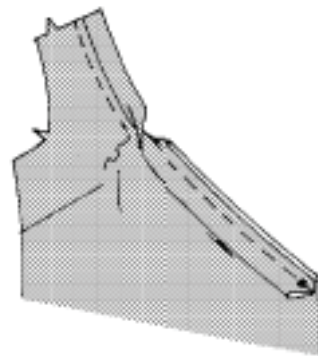


- 2** Fold neck band in half, lengthwise, with WRONG sides together, matching large dots; press. Pin.

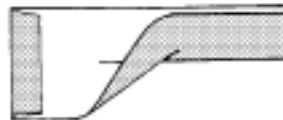


- 3** On OUTSIDE, pin band to upper edge of front, matching large dots, having raw edges even. Stitch, stretching the band to fit. Press seam toward front, pressing band out.

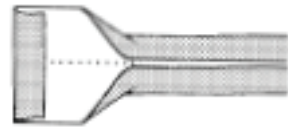
On OUTSIDE, top- stitch front 1/4" (6mm) from seam.



- 4** Press under 1/2" (1.3cm) on one end of front tie end. Fold front tie end in half, lengthwise with WRONG sides together. Press, setting in a crease.



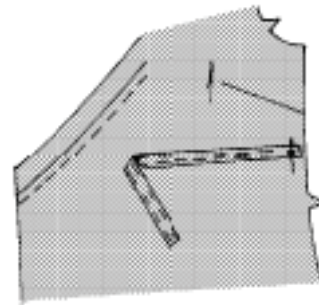
- 5** Open out long edges of front tie end and turn them to **WRONG** side so that they meet at the crease. Press.



- 6** Fold front tie end in half lengthwise, bringing pressed edges together. Stitch close to both long edges and pressed end.



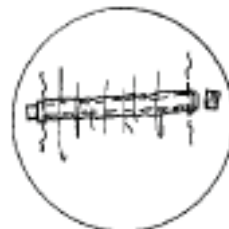
- 7** On **OUTSIDE**, pin front tie end to side edge of **LEFT** front, centering raw end over large dot, having raw edges even. Stitch across end. Remaining front tie end will be applied later.



- 8** To form casing, on **INSIDE**, pin bias fold tape to back, placing lower edge along casing line. Turn under ends of tape. Stitch close to both edges of casing.



- 9** Cut a piece of elastic 8" (20.5cm) long. Insert elastic through casing, having ends extend 1/2" (1.3cm) beyond ends of casing. Stitch across ends of casing, catching in elastic. Trim excess elastic close to stitching.



- 10** Baste front to back at shoulder seams, matching small dots.

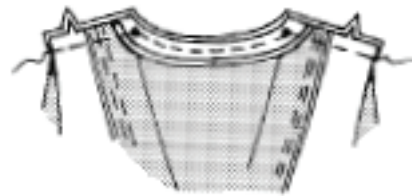


- 11** Open out one edge of single fold bias tape.



- 12** With RIGHT sides together, pin tape to back neck edge having crease $\frac{3}{8}$ " (1cm) from raw edge.

Stitch along the $\frac{5}{8}$ " (1.5cm) seam line at shoulders and along the $\frac{3}{8}$ " (1cm) seam line at back neck edge, pivoting with needle in fabric at small dots, being careful not to catch in finished edges of neck band. Trim back neck seam and corners. Clip curves.



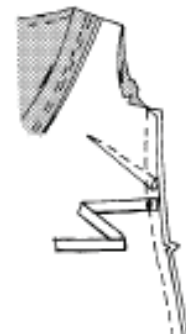
- 13** Turn tape to INSIDE; press, pressing shoulder seams toward back. Baste close to inner edge of tape.

On OUTSIDE, top-stitch as basted.

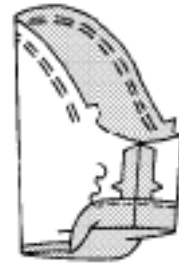


- 14** Stitch front to back at side seams.

Cut two pieces of ribbon for ties each 20" (51cm) long. On INSIDE, pin ribbon to RIGHT side seam centering one end $\frac{1}{4}$ " (6mm) over large dot, as shown. Stitch over side seam stitching. Remaining ribbon tie will be applied to front later.



- 15** EASE-STITCH top of sleeve between notches. Stitch underarm seam. Press up hem. Press under 1/4" (6mm) on raw edge. Stitch close to inner pressed edge.

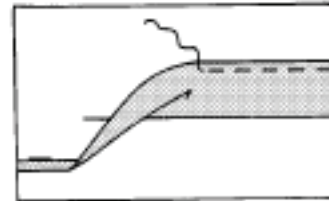


- 16** With RIGHT sides together, pin sleeve to armhole edge with center small dot at shoulder seam, matching underarm seams and remaining small dots. Adjust ease. Baste. Stitch. Stitch again 1/8" (3mm) from first stitching. Trim seam below notches close to stitching. Press only the seam allowance, shrinking out fullness.



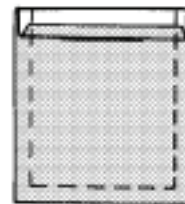
- 17** Mark length. Press up hem along marking.

Mark depth of hem; trim evenly. Press under 1/4" (6mm) on raw edge. Stitch close to inner pressed edge.



- 18** Press under 1/4" (6mm) on upper edge of pocket.

Turn upper edge to OUTSIDE along fold line, forming facing. Stitch along seam line on raw edges; trim to 1/4" (6mm).



- 19** Turn facing to INSIDE, turning under raw edges along stitching; press.

Stitch facing close to inner edge and 1/4" (6mm) above.



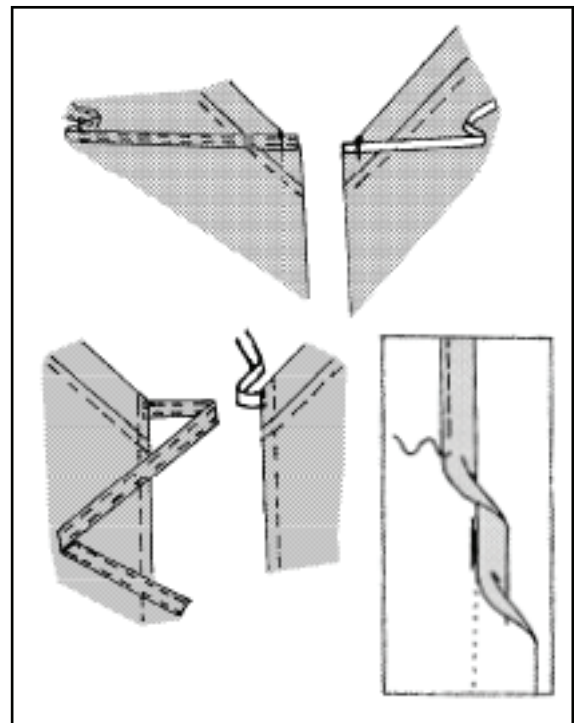
- 20** On OUTSIDE, pin pocket to RIGHT front along pocket line. Stitch close to side and lower edges.



- 21** On OUTSIDE, pin remaining front tie to front edge of RIGHT front band and ribbon tie to front edge to LEFT front band, placing upper edge at small dots having raw edges even. Stitch across ends.

Press under hem allowance on front edges.

To form narrow hem, tuck under raw edge to meet crease. Press. Stitch hem in place. Turn ties toward front and stitch close to front edges, as shown.





Congrats!

You've completed your sewing adventure!

SHARE YOUR look!




Post your pattern and tag us at
@McCALLPATTERNCOMPANY and use #MCCALLSPATTERNS
for a chance to be featured on our social media!

Look for more McCall's PDF patterns at [McCALLPATTERN.COM](https://www.mccallpattern.com)



Showing commUNITY support in a time of crisis. #wereinthistogether 

 1-800-255-2762

McCall's Patterns is part of Design Group Americas, Inc. family of brands
© 2020 Copyright IG Design Group PLC. | All Rights Reserved
Sold for individual home use only and not for commercial or manufacturing purposes.