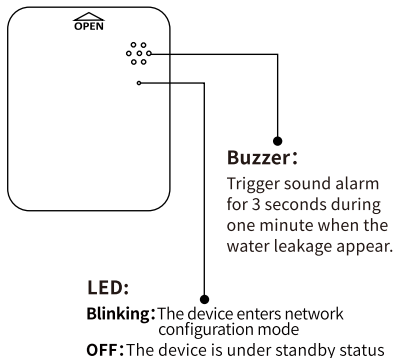


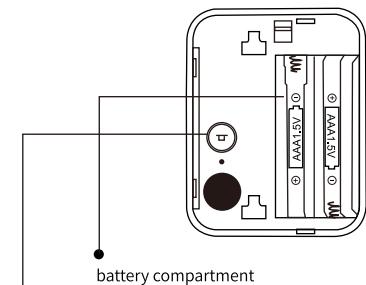
SIZE:58X70mm

正面

Know about the Water leakage sensor

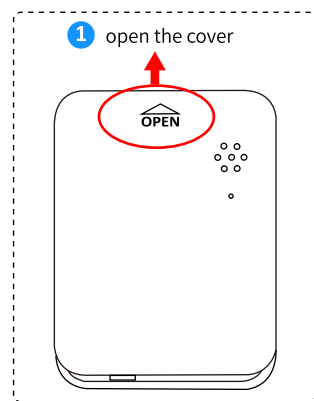


1

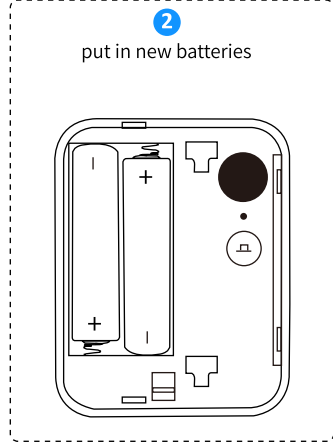


2

1.Open the battery cover and insert the battery into the battery compartment(please note Battery positive and negative) .



3



4

Quick Installation Guide

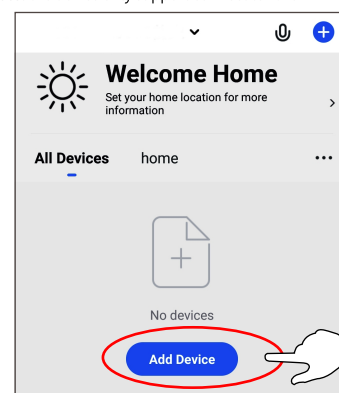
2. Scan below QR code or search **Smart Life** from APP Store or Google Play and install the app, new user must register a account first.



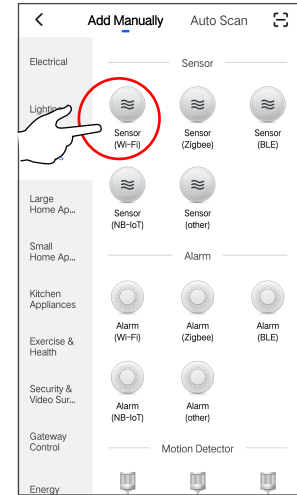
5

3.Connect mobile device to your **2.4GHz Wi-Fi** router (with internet) then run **Smart Life** app Add Device (select **Sensor->Sensor(Wi-Fi)**) .

Note: the device only support connect to 2.4G WiFi router.

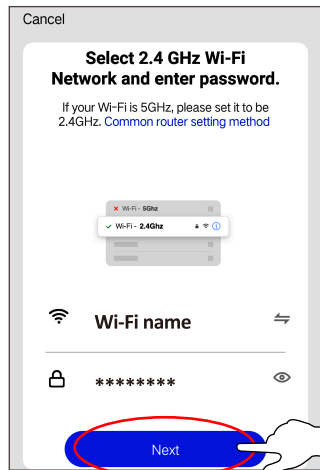


6



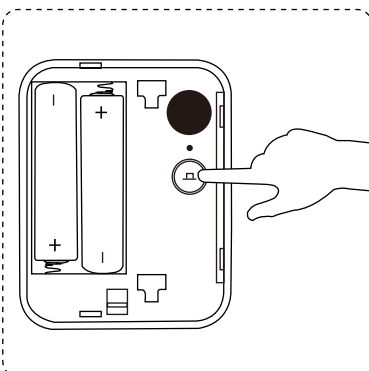
7

背面

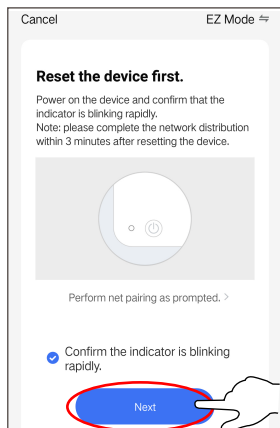


8

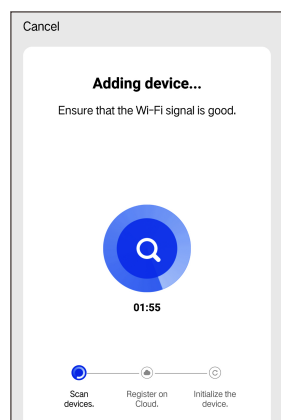
4.Press the reset button for 5 seconds, till the LED blink, then check "Confirm the indicator is blinking rapidly" and follow the in-app instructions to connect the sensor to your network.



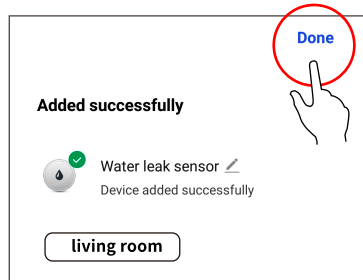
9



10



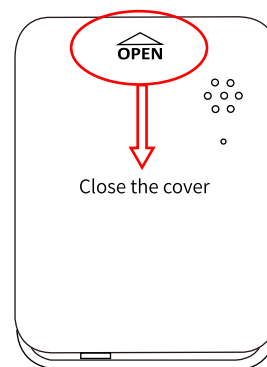
11



12

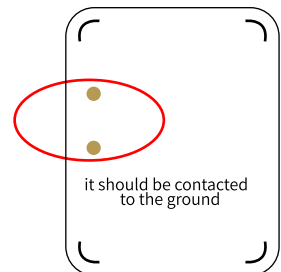
Waiting for a few seconds, This device is added successfully and you may rename it. Click "Done" to finish the setting.

5.Close the battery cover and put it where you need it .



13

Please note that the side with probe point must be contact to the ground.



14

6.How to use
When the water leakage appears,this device should trigger sound alarm for 3 seconds during one minute and the Smart Life app should receive the water leakage alarm at the same time.To disable the alarm,you must remove the sensor from the area of water leakage