

Motor Protection Circuit Breakers

Product Selection

Motor Protection Circuit Breakers

- Short Circuit Protection — Standard Magnetic Trip (13...14 x I_e)
- Motor Overload Protection — Trip Class 10

2



Cat. No. 140M-C



Cat. No. 140M-D



Cat. No. 140M-F



Cat. No. 140-CMN

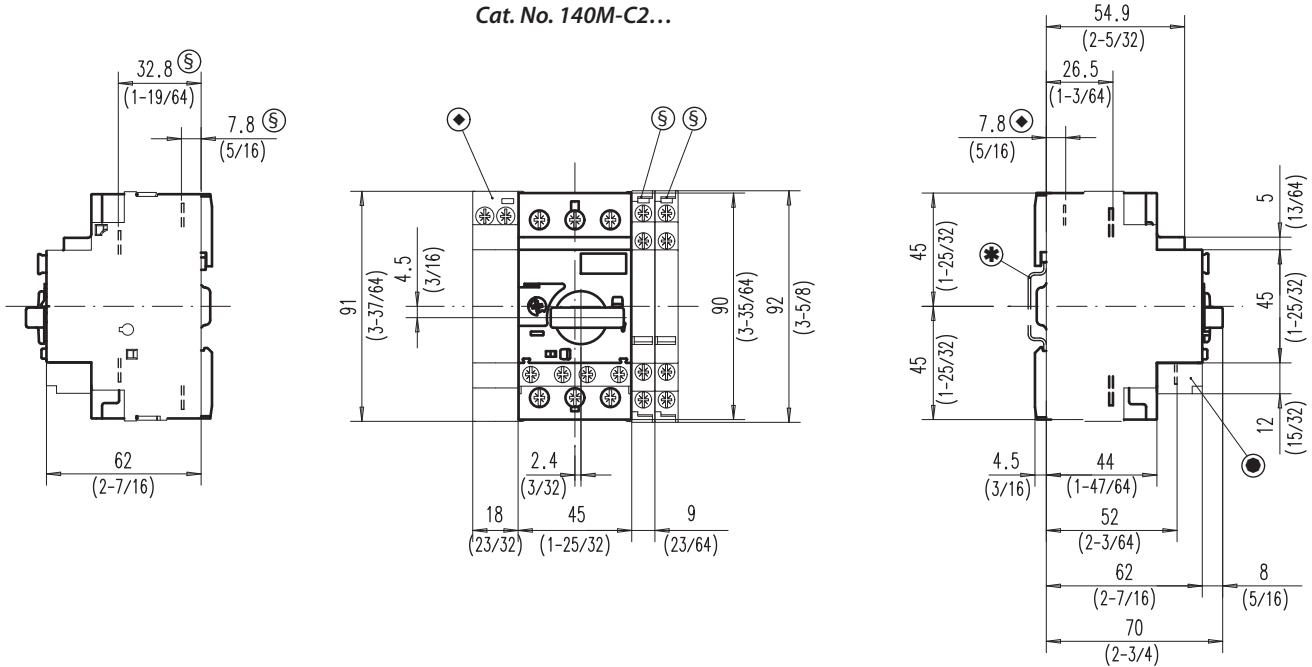
Rated Operational Current (I _e) [A]	Motor Current Adjustment Range [A]	Magnetic Trip Current [A]	Max. Short Circuit Current [kA]		Max. 3-phase Hp Ratings*				Max. kW, 3-Phase — AC-3*				Cat. No.
			400V (I _{cu})	480V (group motor)	200V	230V	460V	575V	230V	400/415V	500V	690V	
C-Frame													
0.16	0.10...0.16	2.1	100	65	—	—	—	—	—	0.02	0.06	0.06	140M-C2E-A16
0.25	0.16...0.25	3.3	100	65	—	—	—	—	—	0.04	0.09	0.09	140M-C2E-A25
0.4	0.25...0.40	5.2	100	65	—	—	—	0.25	0.06	0.09	0.12	0.18	140M-C2E-A40
0.63	0.40...0.63	8.2	100	65	—	—	0.25	0.33	0.09	0.18	0.18	0.25	140M-C2E-A63
1	0.63...1.0	13	100	65	—	—	0.5	0.75	0.18	0.25	0.37	0.55	140M-C2E-B10
1.6	1.0...1.6	21	100	65	0.25	0.33	1	1	0.25	0.55	0.75	1.1	140M-C2E-B16
2.5	1.6...2.5	33	100	65	0.5	0.75	1.5	2	0.37	0.75	1.1	1.8	140M-C2E-B25
4	2.5...4.0	52	100	65	1	1	3	3	0.75	1.5	2.2	3	140M-C2E-B40
6.3	4.0...6.3	82	100	65	1.5	2	5	5	1.5	2.2	3	4	140M-C2E-B63
10	6.3...10	130	100	65	3	3	7.5	10	2.2	4	6.3	7.5	140M-C2E-C10
16	10...16	208	65	30	5	5	10	15	4	7.5	10	13	140M-C2E-C16
20	14.5...20	260	50	30	5	7.5	15	20	5.5	10	11	17	140M-C2E-C20
25	18...25	325	15	25	7.5	7.5	20	20	5.5	11	15	22	140M-C2E-C25
29	24...29	406	15	25	7.5	10	20	25	7.5	13	18.5	25	140M-C2E-C29
32	27...32	448	15	25	7.5	10	25	30	7.5	15	20	25	140M-C2E-C32
D-Frame													
2.5	1.6...2.5	33	100	65	0.5	0.75	1.5	2	0.37	0.75	1.1	1.8	140M-D8E-B25
4	2.5...4.0	52	100	65	1	1	3	3	0.75	1.5	2.2	3	140M-D8E-B40
6.3	4.0...6.3	82	100	65	1.5	2	5	5	1.5	2.2	3	4	140M-D8E-B63
10	6.3...10	130	100	65	3	3	7.5	10	2.2	4	6.3	7.5	140M-D8E-C10
16	10...16	208	100	65	5	5	10	15	4	7.5	10	13	140M-D8E-C16
20	14.5...20	260	100	65	5	7.5	15	20	5.5	10	11	17	140M-D8E-C20
25	18...25	325	65	30	7.5	7.5	20	20	5.5	11	15	22	140M-D8E-C25
29	24...29	406	50	30	7.5	10	20	25	7.5	13	18.5	25	140M-D8E-C29
32	27...32	448	50	30	7.5	10	25	30	7.5	15	20	25	140M-D8E-C32
F-Frame													
10	6.3...10	130	100	65	3	3	7.5	10	2.2	4	6.3	7.5	140M-F8E-C10
16	10...16	208	100	65	5	5	10	15	4	7.5	10	13	140M-F8E-C16
20	14.5...20	260	100	65	5	7.5	15	20	5.5	10	11	17	140M-F8E-C20
25	18...25	325	100	65	7.5	10	20	25	6.3	11	15	22	140M-F8E-C25
32	23...32	416	65	65	7.5	10	25	30	7.5	15	20	30	140M-F8E-C32
45	32...45	585	65	65	10	15	30	40	13	22	30	40	140M-F8E-C45
CMN-Frame													
25	16...25	350	65	65	5	7.5	15	20	7.5	13	15	22	140-CMN-2500
40	25...40	560	65	65	10	10	30	30	11	22	25	30	140-CMN-4000
63	40...63	882	65	42	20	20	40	60	20	32	40	55	140-CMN-6300
90	63...90	1260	50	35	25	30	60	75	25	45	55	75	140-CMN-9000

* Horsepower/kW ratings shown in the table above are for reference. The final selection of the MPCB depends on the actual motor full load current.

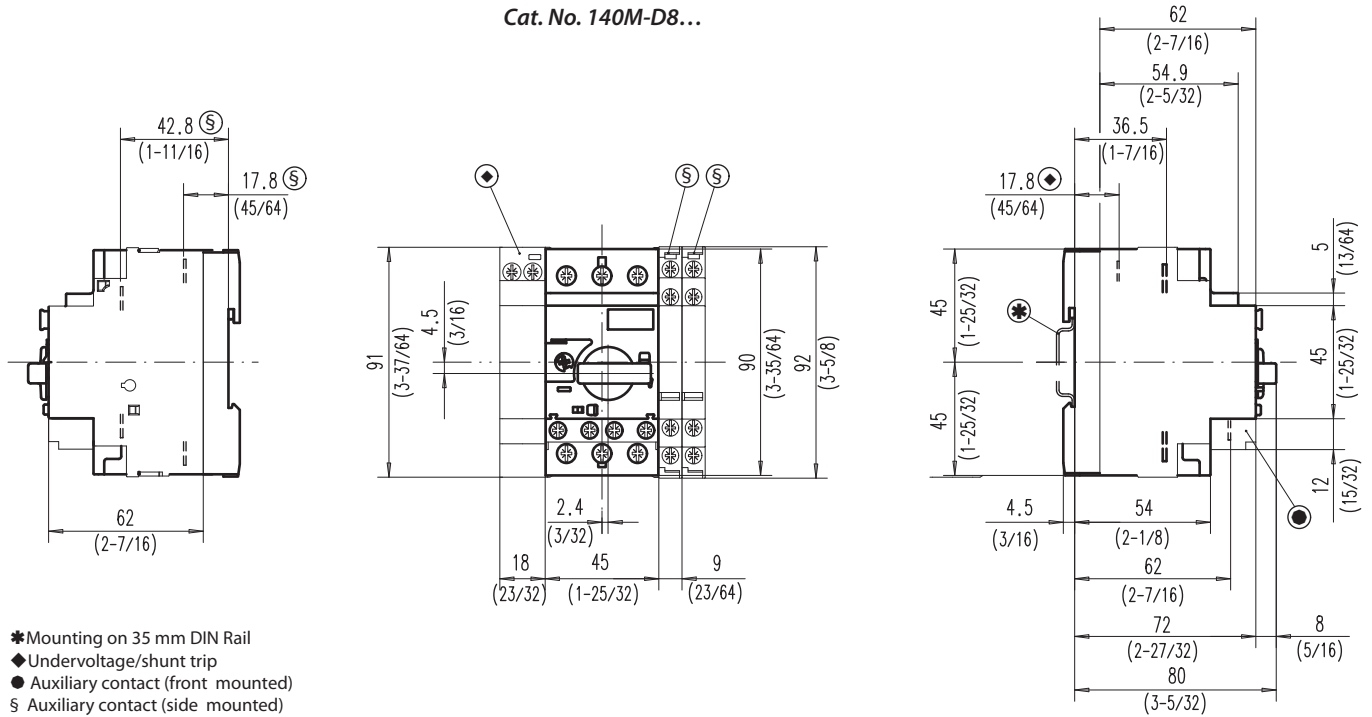
Cat. No. 140M-C, -D, -F

Dimensions are shown in millimeters (inches). Dimensions are not intended to be used for manufacturing purposes.

Cat. No. 140M-C2...



Cat. No. 140M-D8...



- * Mounting on 35 mm DIN Rail
- ◆ Undervoltage/shunt trip
- Auxiliary contact (front mounted)
- § Auxiliary contact (side mounted)