



BARDE FRONT BUMPER

PART NO. IBBFD004

FITS:

2013-2018 Dodge Ram 1500
 2019-2023 Dodge Ram 1500 *Classic Models*
 (Excluded Rebel Trim)



90-180 min



Cutting Not Required



Drilling Not Required

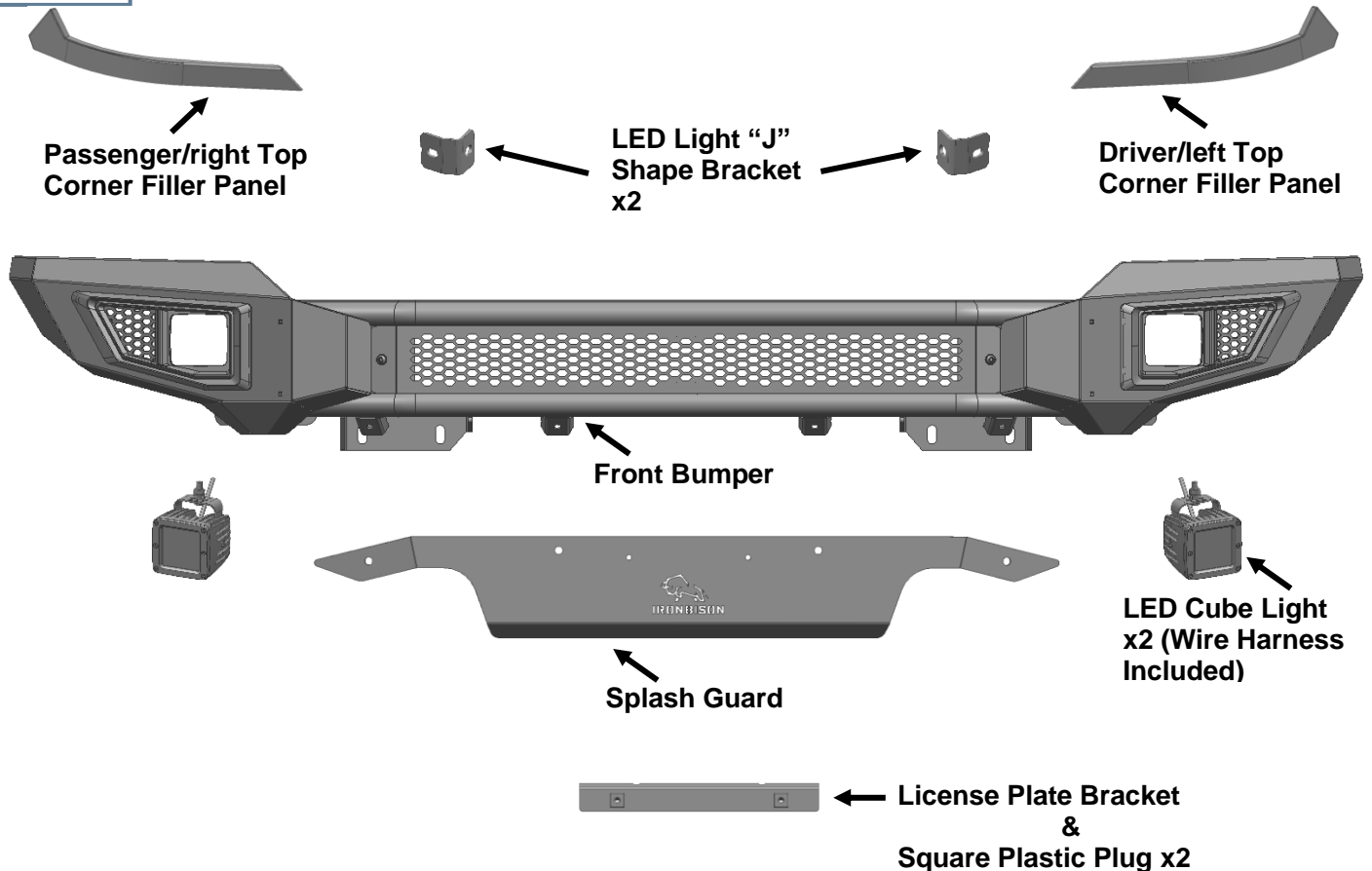
Torque & Tools

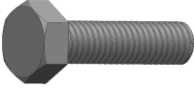


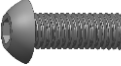


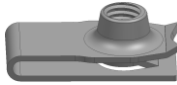

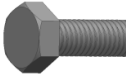







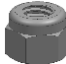

Fastener Size	Tightening Torque (ft-lbs)	Wrench Required		Allen Wrench Required	
■ 6mm	■ 7-8.5		□ 10mm		■ 4mm
■ 8mm	■ 18-20		■ 13mm		■ 5mm
■ 10mm	■ 35-40		■ 16mm		□ 6mm
■ 12mm	■ 60-70		■ 18mm		□ 8mm

BEFORE INSTALLATION

REMOVE CONTENTS FROM BOX. VERIFY ALL PARTS ARE PRESENT DEPEND ON THE PARTS LIST. READ INSTRUCTIONS CAREFULLY. BUMPER IS HEAVY, ASSISTANCE IS HIGHLY RECOMMENDED TO AVOID POSSIBLE INJURY OR DAMAGE TO THE VEHICLE.

Part List

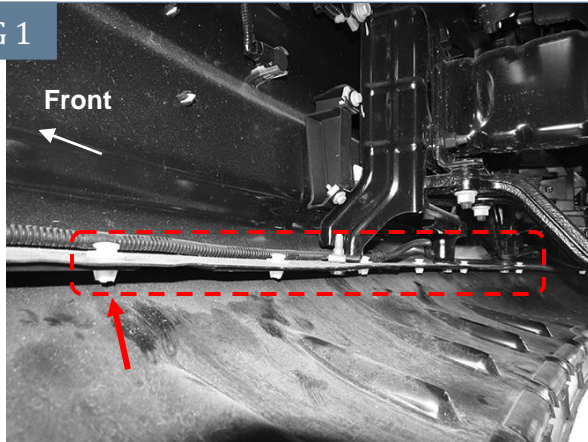


<p>Use to Attach Wings to Bumper:</p>	 x4 10mm x 30mm Hex Bolt	 x4 10mm x 20mm x 2mm Flat Washer	 x4 10mm Lock Washer		
<p>Use to Attach Splash Guard to the Bumper:</p>	 x4 8mm x 25mm Button Head Bolt	 x4 8mm Lock Washer	 x4 8mm x 24mm x 2mm Flat Washer	 x4 8mm Clip Nut	 x1 5mm Allen Wrench
<p>Use to Attach 30" LED Light Bar to the "J" Shape Brackets: (Light Bar Not Included)</p>	 x2 8mm x 16mm Hex Bolt	 x2 8mm Lock Washer	 x2 8mm x 24mm x 2mm Flat Washer		
<p>Use to Attach Top Corner Filler Panel to the Bumper:</p>	 x6 6mm x 20mm Button Head Bolt	 x6 6mm Lock Washer	 x6 6mm x 18mm x 1.6mm Flat Washer		
<p>Use to Attach License Plate Bracket to the Splash Guard:</p>	 x2 6mm x 20mm Button Head Bolt	 x4 6mm x 18mm x 1.6mm Flat Washer	 x2 6mm Nylon Lock Nut	 x1 4mm Allen Wrench	

STEP 1

Remove the license plate and bracket. Remove lower air dam if needed for access to bottom of bumper, **(Fig 1)**. **NOTE:** Air dam is attached with many 2pc retaining clips. Pry up center of pin to release and remove clips.

FIG 1



(Fig 1) Release clips (arrow is one for example) to remove air dam (pictured from behind bumper-tow hook equipped)

STEP 2

On models with factory fog lights and/or sensors, unplug wiring harness leading to bumper, **(Fig 2)**. Move harness away from bumper.

FIG 2

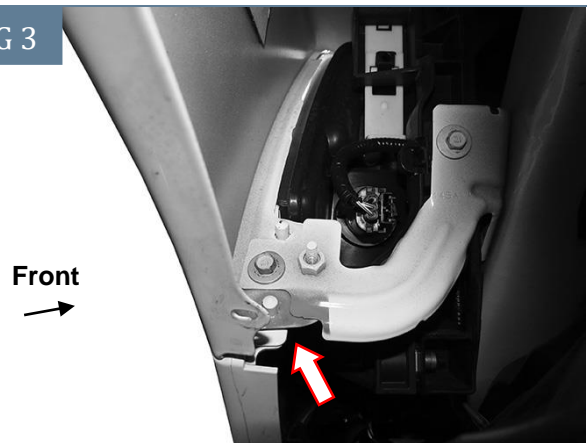


(Fig 2) Unplug lights and sensors if equipped. Unplug harness to bumper and move harness

STEP 3

Next, remove the plastic fascia fill panel between the headlights and the top of the bumper. **NOTE:** Release inner fender liner to access hardware attaching the ends of fascia panel to the bottom of the front fenders, **(Figs 3 & 4)**. On some model years, it may be necessary to temporarily remove the grille to remove the fascia or 1pc plastic bumper cover.

FIG 3



(Fig 3) Pull back fender liner to locate fascia attachment at bottom of front fender

FIG 4



(Fig 4) Remove fascia body panel from top of bumper

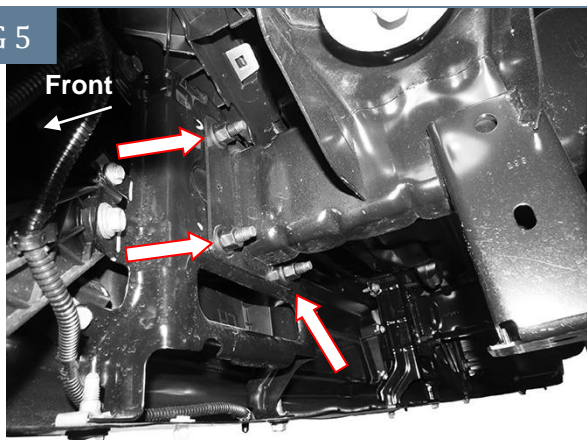


WARNING! Do not crawl under bumper unless it is properly supported on blocks or stands or the bumper may fall.

STEP 4

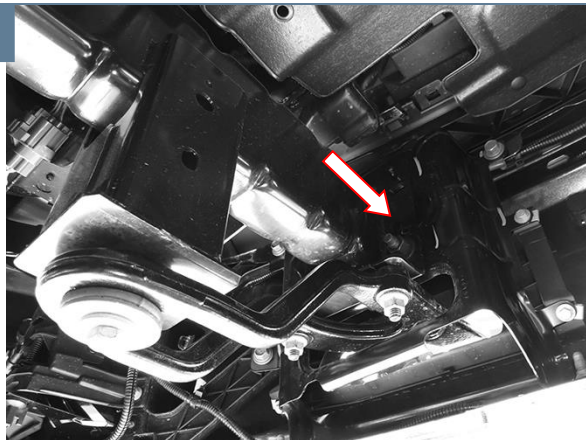
Place blocks or jack stands under the bumper to support it during mounting bolt removal. Once the bumper has been safely supported, remove the (3) hex nuts attaching each bumper bracket to the end of the frame, **(Fig 5)**. On models with tow hooks, (2) of the hex nuts attach the “L” bracket for the tow hooks to the back of the bumper bracket. Remove the (2) hex nuts but do not remove the “L” brackets and tow hooks, **(Fig 6)**. **WARNING!** Assistance is required to hold bumper in place during hardware removal to prevent the bumper from falling.

FIG 5



(Fig 5) Remove (3) factory hex nuts from each side

FIG 6

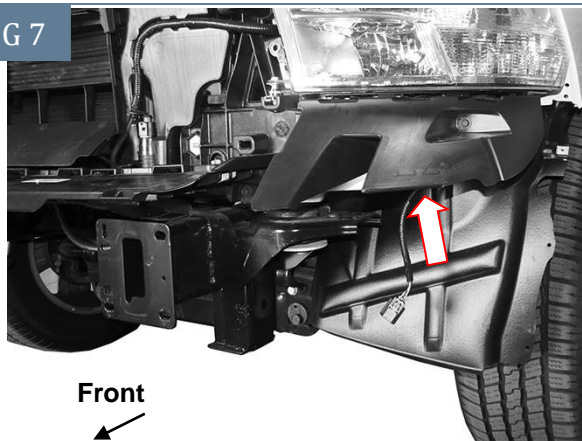


(Fig 6) Models with tow hooks, remove hex nuts attaching bumper but leave tow hook in place

STEP 5

Slide the bumper assembly off of the end of the frame and tow hooks if equipped, **(Fig 7)**. Remove the plastic bumper supports below the headlights, **(Fig 7)**.

FIG 7

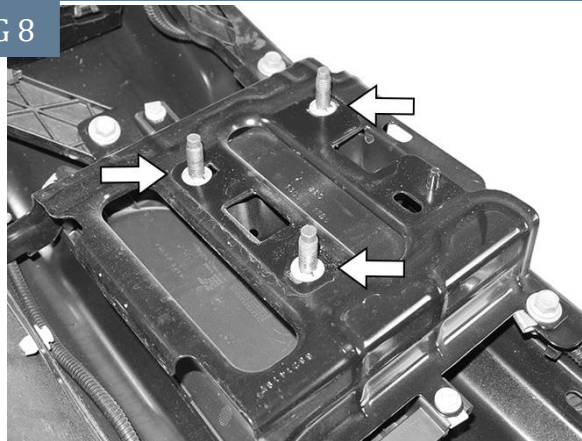


(Fig 7) Remove plastic block from below headlight

STEP 6

Use a small flat blade screwdriver to remove the metal washers and mounting bolts from the factory bumper, **(Fig 8)**.

FIG 8

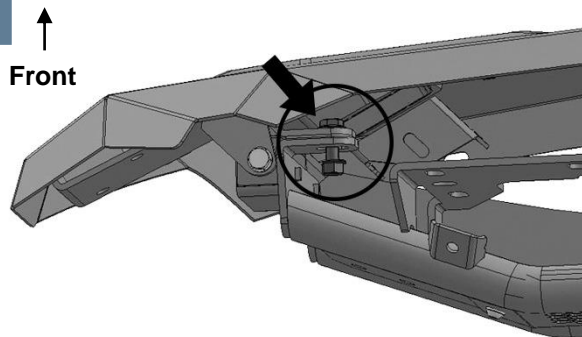


(Fig 8) Use a small flat blade screwdriver to pry up and remove metal clips to remove factory hardware

STEP 7

Carefully unwrap the Bumper assembly. Remove the (2) 10mm Hex Bolts holding the folded wings securely in place for shipping, **(Fig 9)**. Discard bolts.

FIG 9

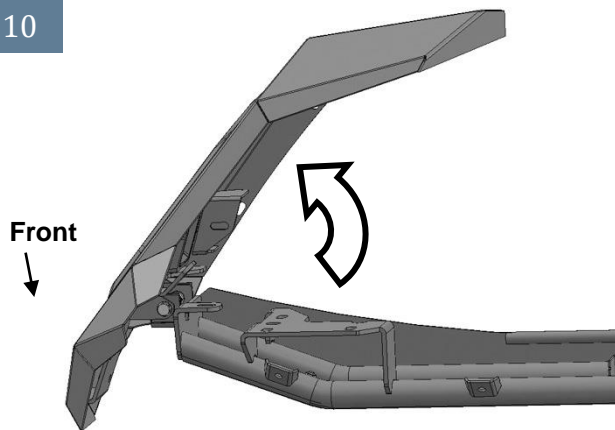


(Fig 9) Remove the hex bolt from the Bumper to release the Wing

STEP 8

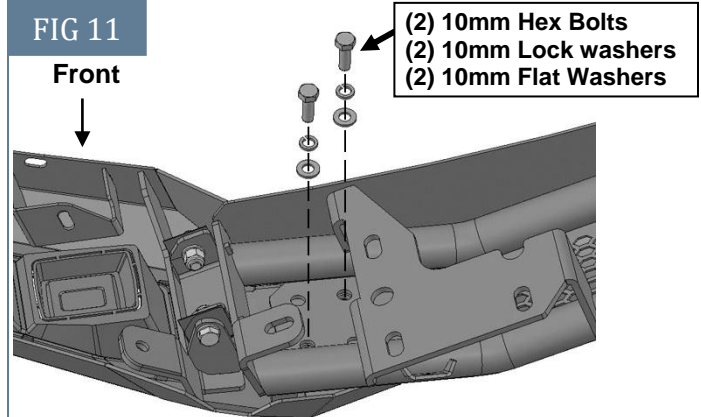
Rotate the driver/left side Outer Wing outward as far as it will go until the mounting plate is against the back of the center Bumper, **(Fig 10)**. Attach the Wing to the Bumper with the included (2) 10mm x 30mm Hex Bolts, (2) 10mm Lock Washers and (2) 10mm Flat Washers, **(Fig 11)**. Repeat this Step to unfold and attach the passenger/right outer wing. Do not fully tighten hardware at this time.

FIG 10



(Fig 10) Rotate the Wing all the way around until it stops (driver/left side illustrated)

FIG 11



(Fig 11) Attach Wing to Bumper (driver/left side illustrated)

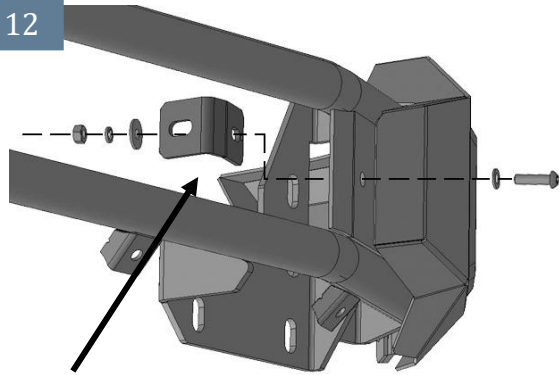
STEP 9

Determine if accessory lights, (center light not included), will be installed at this time. **NOTE:** It may be easier to install the center light before installing Bumper. **IMPORTANT:** On diesel models with intercooler, center LED Light installation is not recommended. Blocking the intercooler may cause overheating.

Center LED bar style light installation (light not included).

- a. Remove the center mesh fill panel, **(Fig 12)**.
- b. Select (1) "J" Shape Bracket. Reuse the hardware from the fill panel to attach the "J" Shape Bracket to the back of the driver/left side of the Bumper, **(Fig 12)**. Repeat this **Step** to install the remaining "J" Shape Bracket on the passenger/right side of the Bumper. **IMPORTANT:** The Bumper features mounting location designed for **30" bar style lights** only.
- c. Attach the light to the "J" Shape Brackets with the hardware included with the light or the supplied (2) 8mm x 16mm Hex Bolts, (2) 8mm Lock Washers and (2) 8mm Flat Washers, **(Fig 13)**.

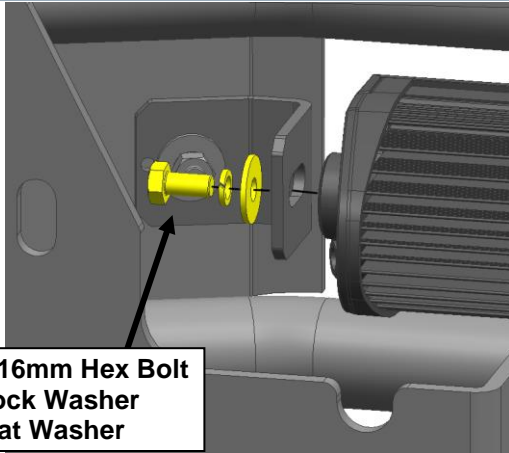
FIG 12



“J” Shape Bracket

(Fig 12) Reuse hardware from center mesh panel to attach “J” Shape Bracket to back of Bumper. **Note:** the notched end of the “J” Shape Bracket face to the bumper (Driver/Left Side illustrated)

FIG 13



8mm x 16mm Hex Bolt
8mm Lock Washer
8mm Flat Washer

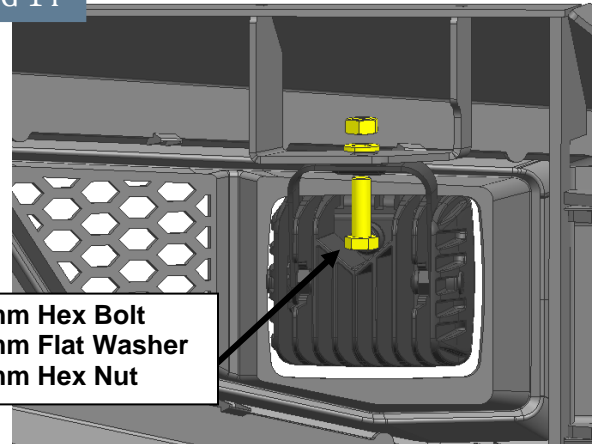
(Fig 13) Attach bar style LED light to “J” Shape Brackets (light not included)

STEP 10

Outer LED cube style light installation (Light & Wire Harness included).

- a. Attach the lights to the mounting tabs on the back of the Bumper with included (1) 8mm Hex Bolt, (1) 8mm Flat Washer, (1) 8mm Hex Nut, (Fig 14). **Note:** These standard parts included on the Cube Light Kit.
- b. Follow the light manufacturer’s instruction to properly wire lights once Bumper is installed

FIG 14



8mm Hex Bolt
8mm Flat Washer
8mm Hex Nut

(Fig 14) Attach the cube style LED lights to the mounting tabs (These standard parts included on the Cube Light Kit)

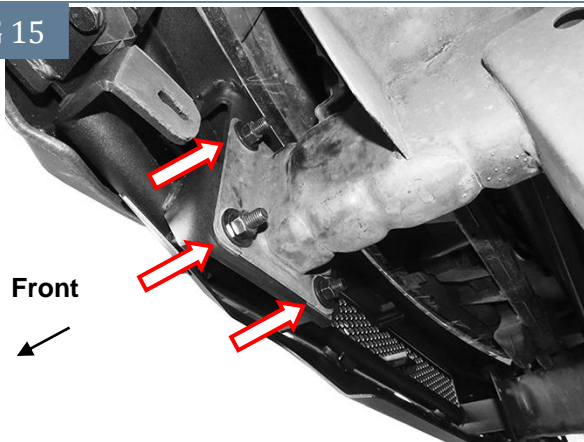
STEP 11

With assistance, position the Bumper Assembly up to the end of the frame. Temporarily support the weight of the Bumper. **WARNING:** To avoid possible injury or damage to the vehicle, do not proceed until the Bumper is fully and safely supported. **NOTE:** It may be easier to install accessory lights before installing the Bumper, (models with tow hooks for example). See **Steps 9-10** regarding lighting if desired.

STEP 12

Attach the driver/left side of the Bumper to the frame with the (3) factory bumper bolts and hardware removed in **Step 6, (Fig 15)**. Do not fully tighten at this time. Repeat this **Step** to attach the passenger/right side of the Bumper to the frame.

FIG 15

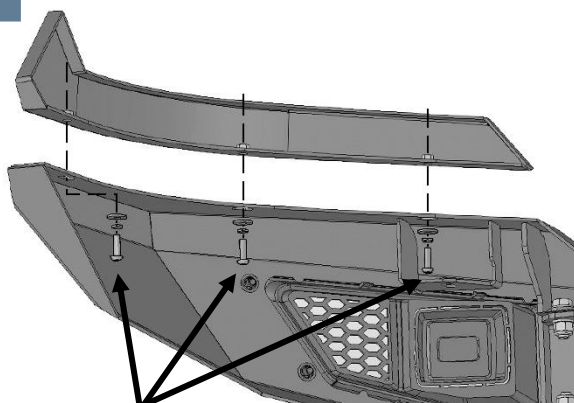


(Fig 15) Reuse factory hardware to attach Bumper assembly to end of frame

STEP 13

Select the driver/left Top Fill Panel. Attach the Fill Panel to the top of the Bumper with the included (3) 6mm Button Head Bolts, (3) 6mm Lock Washers and (3) 6mm Flat Washers, (Fig 16). Do not fully tighten hardware. Repeat this Step to attach the passenger/right Fill Panel.

FIG 16



(3) 6mm x 20mm Button Head Bolts
(3) 6mm Lock Washers
(3) 6mm Flat Washers

(Fig 16) Attach driver/left Fill Panel to top of Bumper

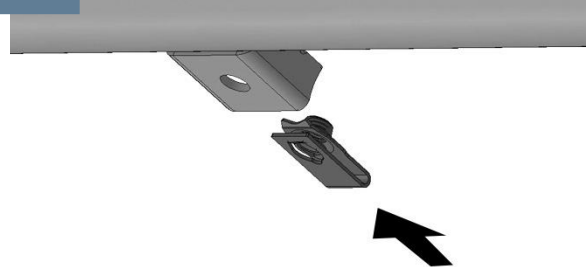
STEP 14

Level and adjust the Bumper and fully tighten all hardware. **NOTE:** There is a small amount of adjustment in the Wing attachment points. Adjust Wings for best fit then fully tighten all hardware.

STEP 15

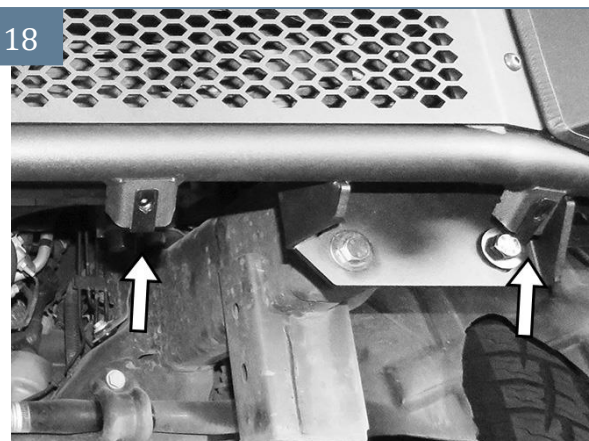
Select (1) 8mm Clip Nut. Slide the Clip Nut over the tab on the bottom of the Bumper, (Figs 17 & 18). Line up the Nut with hole in tab. **NOTE:** Orient Clip Nut with Nut upward behind the tab. Repeat this **Step** to attach the remaining (3) Clip Nuts. Select the Splash Guard. Attach the Splash Guard to the bottom of the Bumper with the included (4) 8mm x 25mm Button Head Bolts, (4) 8mm Lock Washers and (4) 8mm Flat Washers, (Fig 19).

FIG 17



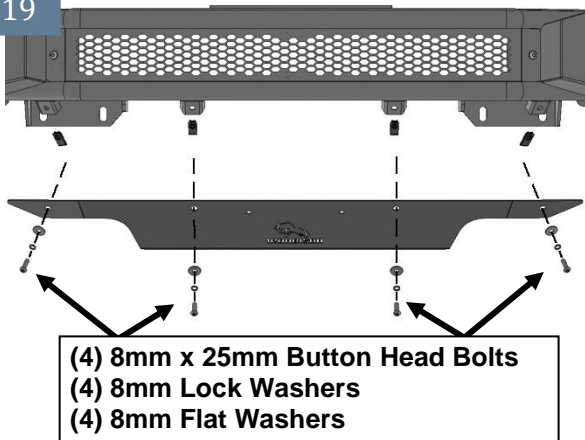
(Fig 17) Slide 8mm Clip Nuts onto tabs on bottom of Bumper

FIG 18



(Fig 18) Slide 8mm Clip Nuts onto tabs on bottom of Bumper for Splash Guard

FIG 19

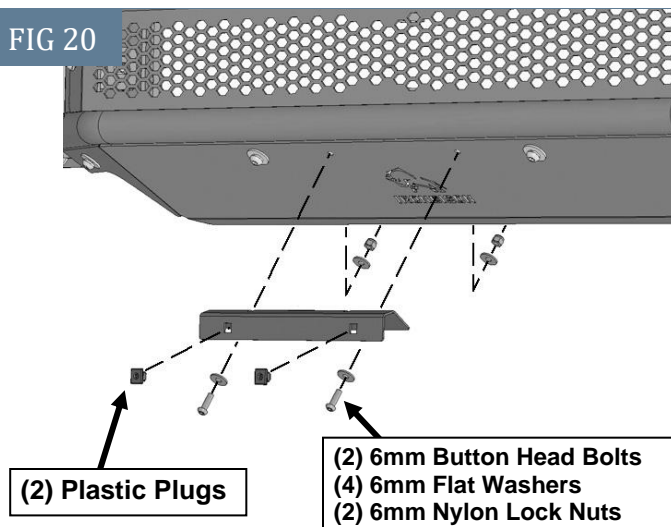


(Fig 19) Attach Splash Guard to Clip Nuts on bottom of Bumper

STEP 16

Attach the License Plate Bracket to the holes in the Splash Guard with the included (2) 6mm x 20mm Button Head Bolts, (4) 6mm Flat Washers and (2) 6mm Nylon Lock Nuts, (Fig 20). Insert (2) Plastic Plugs into the square holes in the Bracket. Reuse the factory screws to attach the license plate to the Plastic Plugs.

FIG 20



(Fig 20) Attach License Plate Bracket to Splash Guard

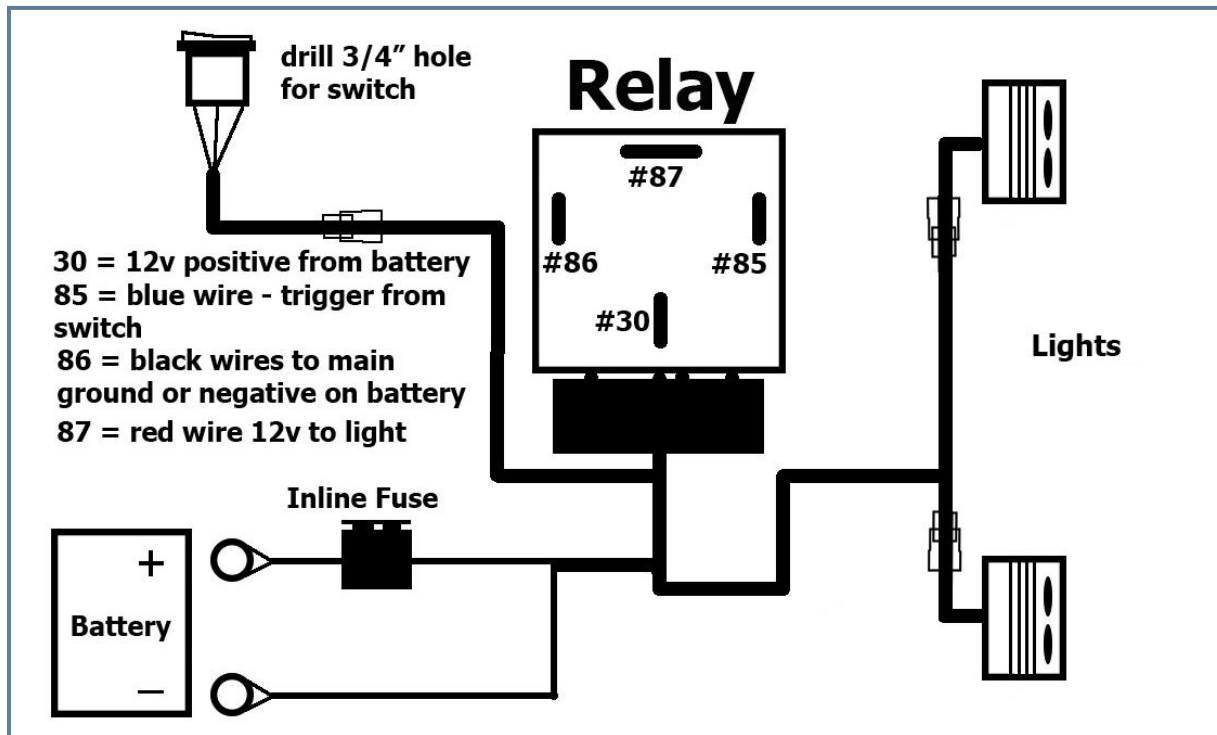
STEP 17

Do periodic inspections to the installation to make sure that all hardware is secure and tight.



CUBE LED LIGHT INSTRUCTIONS

PARTS LIST:	Qty	Description	Qty	Description
	2	Lights	2	8mm Flat Washer
	1	Wiring Harness	2	8mm Hex Nut
	2	8mm Hex Bolt		



PROCEDURE:

1. REMOVE CONTENTS FROM BOX. VERIFY ALL PARTS ARE PRESENT. READ INSTRUCTIONS CAREFULLY. DRILLING IS REQUIRED. ELECTRICAL KNOWLEDGE IS HIGHLY RECOMMENDED.
2. Open hood and disconnect battery.
3. Unwrap preassembled wiring harness. Disconnect the plug in the harness leading to the lighted switch. Locate suitable mounting location for switch. Drill 3/4" hole in panel to mount switch. **IMPORTANT:** Do not drill any holes in panel until back of location is properly checked for clearance. Use of safety goggles is required.
4. Run switch harness through firewall on vehicle. Drill hole through firewall as required for harness plug. Highly recommend use of rubber grommet (not included) to protect harness. Feed switch harness plug through hole in firewall. Seal firewall with silicone as necessary.
5. Attach Relay and main harness to suitable location near battery (firewall or inner fender for example). Do not connect to battery at this time.
6. Attach switch plug to switch harness and tie harness away from anything that could damage harness.
7. Run the prewired light harness down to the light. Plug harness into prewired plug on each light. Tie wiring harness away from anything that could damage harness.
8. Attach the fused red positive and black negative wires on the main harness to the battery. **NOTE:** Attach black negative wire to negative terminal on battery or suitable chassis ground.
9. Reattach battery cables to battery. Installation is complete.
10. Adjust lights for best results and fully tighten all hardware.
11. Do periodic inspections to the installation to make sure that all hardware is secure and tight and all wiring harnesses are properly secured and free from excessive movement.