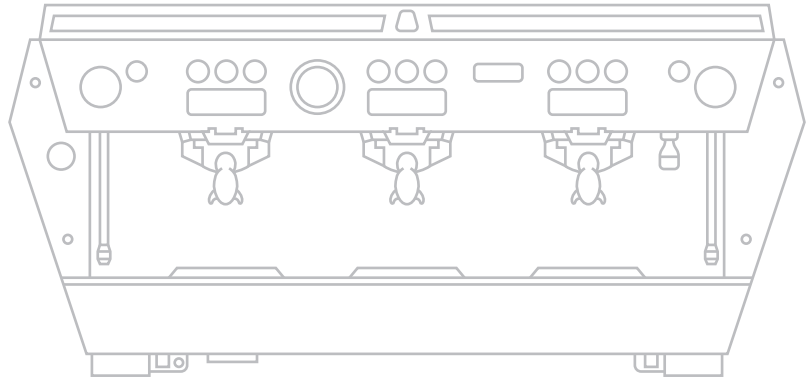


U.S. installation guideline

kb90



Dimensions	2 group	3 group	4 group
Height	17.5"	17.5"	17.5"
Width	32"	41.5"	50.8"
Depth	24.5"	24.5"	24.5"
Weight			
Machine Weight	156 lbs	194 lbs	269 lbs
Power			
Voltage/Phase/Cycle	208-240 VAC 1Φ 60Hz	208-240 VAC 1Φ 60Hz	208-240 VAC 1Φ 60Hz
Wattage	5700	7800	9200
Amp Service Required	30	50	50
NEMA Plug and Outlet*	6-30P; 6-30R	6-50P; 6-50R	6-50P; 6-50R
Volumes			
brew boiler capacity (liters)	1.3 x 2	1.3 x 3	1.3 x 4
steam boiler capacity (liters)	7	11	15
Certifications	UL-197, NSF-8, CAN/CSA-C22.2 No. 109		
Configurations Available	Auto-Volumetric (AV), Auto Brew Ratio (ABR)		

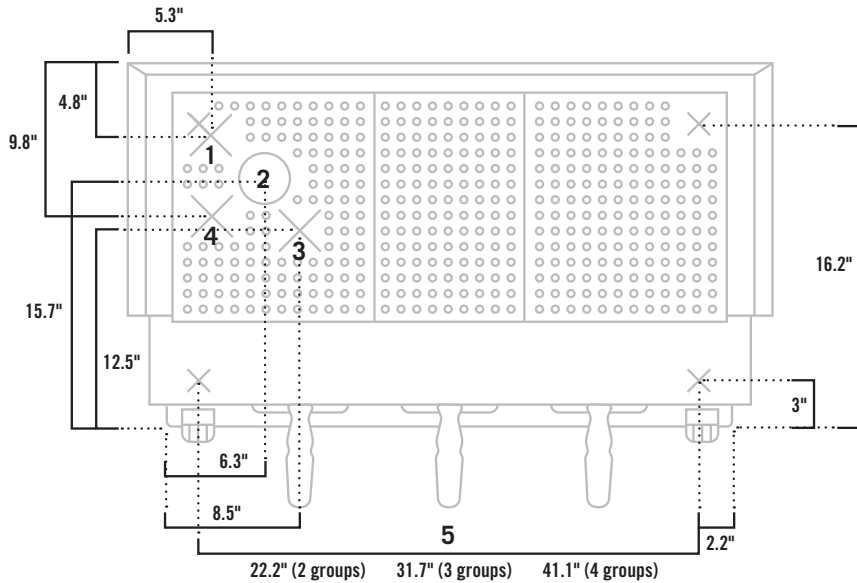
Water		Drainage		External Pump	
Water Flow Rate	2GPM	Max. Dist.*	5'	Dimensions	12" × 12" × 12"
Dynamic Water Pressure †	45PSI	Drain Slope*‡	Min. 1/4" per foot	Max. Dist. from Water Supply*	4'
Min. Pipe Size Diameter*	3/8"			Max. Dist. from Machine	8'
Water Connection*	3/8" male comp.			Counter Hole Diameter	3—4"
Water Quality	Contact us for a free water test kit. See water specifications.				

* suggested | † regulate as needed | ‡ This machine must be installed in accordance with the applicable federal, state and local plumbing codes



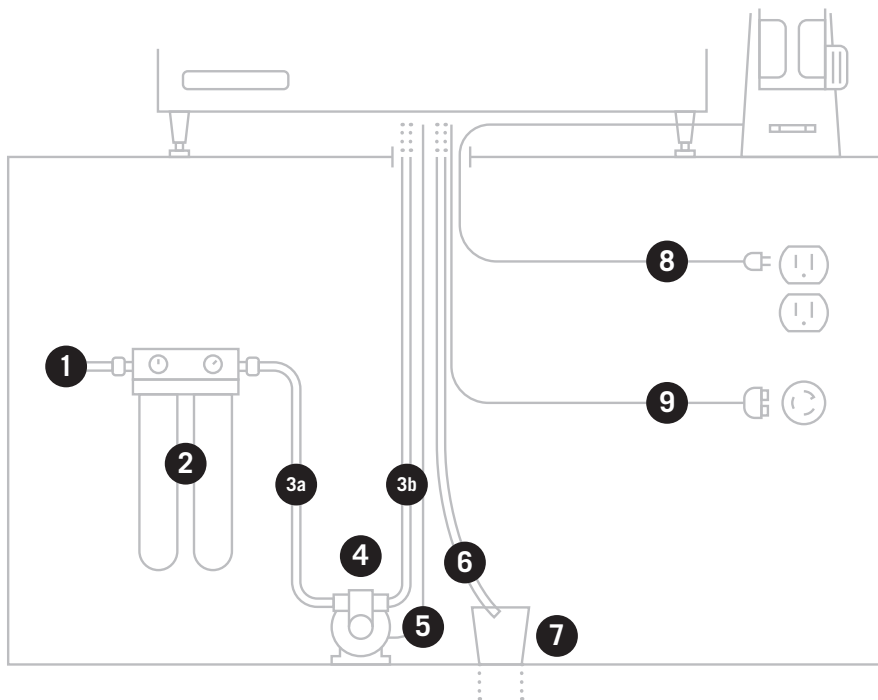
la marzocco

handmade in florence



top view

1. position of the power cord
 2. suggested diameter of counter hole: 4-4.7"
 3. position of the drain tube
 4. position of the water inlet hose
 5. width of legs per model
- × machine leg location



front view

1. 3/8" cold water supply
2. water filter required (not provided), see water specifications below.
- 3a. 3/8" compression cold water supply line suggested max. dist. from water supply 4'
- 3b. 3/8" BSPP cold water supply line suggested max. dist. from water supply 8'
4. pump and motor
5. electrical supply to motor from machine
6. 3/4" flexible drainline (min. 0.25"/1' slope)
7. floor drain
8. 110V, 15amp elec. supply to grinder
9. 208-240V single phase elec. supply to

water specifications

La Marzocco recommends that your filtration system produces water with the following properties:

T.D.S.	90—150ppm
Total Hardness	70—100 ppm
Total Iron	0—0.02ppm
Free Chlorine	0—0.05ppm
Total Chlorine	0—0.1ppm

pH	6.5—8
Alkalinity	40—80ppm
Chloride	0—30ppm
Line Pressure	45—80 PSI
Flow Rate	2 GPM or 8 LPM