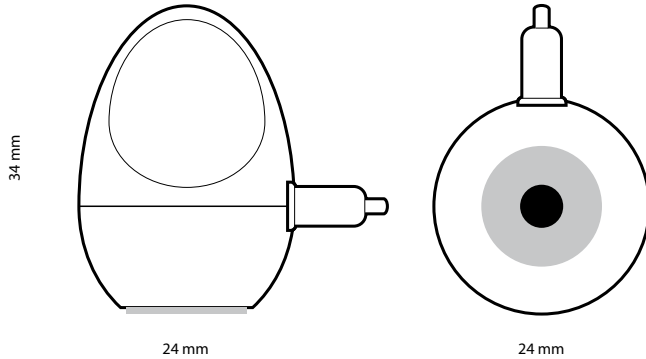


<b>Optical detection</b>	Activated when the display lights up
<b>Light sensitivity</b>	Visible light >3 lux, for longer than 2 seconds
<b>Placement</b>	Horizontally on the display
<b>Ergonomic design</b>	Ideal for people with impaired vision/dexterity
<b>Battery</b>	1 x AAA 1.5 V alkaline
<b>Operating time</b>	> 1 years under normal use
<b>Connectors</b>	Sensor: 2.5 mm teleplug, adapter: 3.5mm tele teleplug
<b>Visit compatible</b>	Integrates mobile devices with the Visit system

Patent pending



# Mobile phone sensor BE9250

**European office**  
Bellman & Symfon Europe AB  
Södra Långebergsgatan 30  
421 32 Västra Frölunda  
Sweden  
Phone +46 31 68 28 20  
Fax +46 31 68 28 90  
E-mail info@bellman.se

**Asia Pacific office**  
Bellman & Symfon Asia Ltd.  
1115-16, Main Tower, GD Int'l Hotel  
339 Huanshi Dong Rd  
Guangzhou, China, 510095  
Phone +86 20 8318 2950  
Fax +86 20 8333 5528  
E-mail info.cn@bellman.com

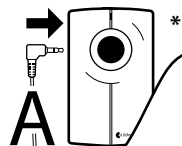
BE9250\_017MAN005

[bellman.com](http://bellman.com)

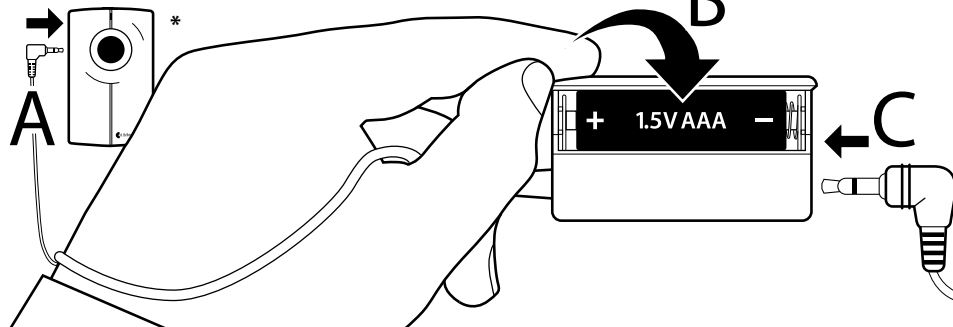
© 2013, Bellman & Symfon AB, all rights reserved. Bellman, Bellman & Symfon and the Bellman & Symfon logo are registered trademarks of Bellman & Symfon AB.

# 1

- |                 |                |              |              |
|-----------------|----------------|--------------|--------------|
| GB Connect      | SE Anslut      | ES Conectar  | PL Podłączyć |
| DE Anschliessen | NO Tilkobling  | IT Collegare | CZ Připojit  |
| FR Connectez    | DK Tilslutning | PT Ligar     | HU Telepítés |
| NL Aansluiten   | FI Liittää     | GR Συνδέω    | S Povezati   |

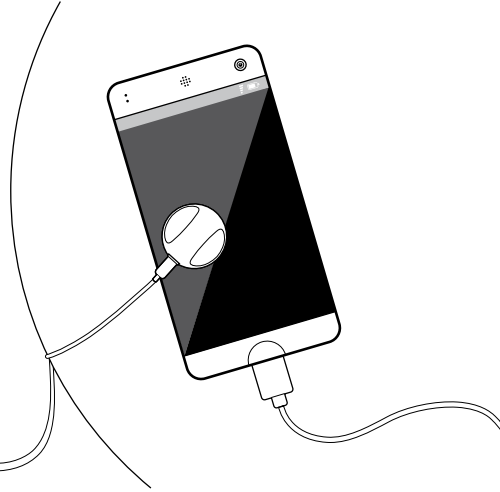


A



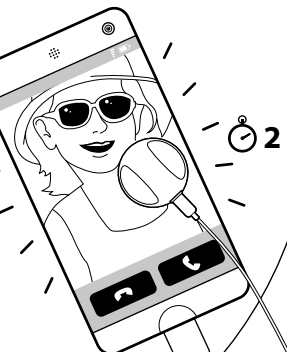
B

C

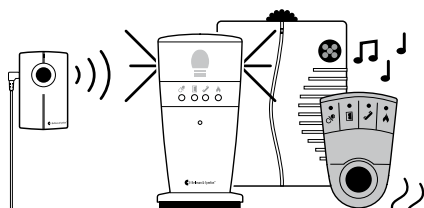


# 2

- |           |            |            |               |
|-----------|------------|------------|---------------|
| GB Test   | SE Testa   | ES Probar  | PL Testowanie |
| DE Testen | NO Testing | IT Provar  | CZ Test       |
| FR Tester | NK Test    | PT Testar  | HU Tesztelés  |
| NL Test   | FI Testaus | GR Έλεγχος | S Provera     |



2 s



## Troubleshooting

GB Appendix

If	Try this
The receiver is not activated when there is an incoming call or message	<ul style="list-style-type: none"> <li>• Make sure that the sensor is placed on the screen of your device and that the screen lights up.</li> <li>• Check the battery in the battery pack. Change it if needed. You can test the batteries by tilting the Mobile phone sensor. If the battery is charged, the LED on the transmitter lights up.</li> </ul>
<b>Note!</b> Light lasting less than 2 seconds will not activate the system.	<ul style="list-style-type: none"> <li>• Ensure that all cables are properly connected.</li> <li>• Check the radio link by pressing the Test-button on the transmitter.</li> </ul>
The receiver is activated randomly	<ul style="list-style-type: none"> <li>• Make sure that the sensor is standing upright on a flat and non-transparent surface.</li> </ul>

\* Visit transmitter sold separately.