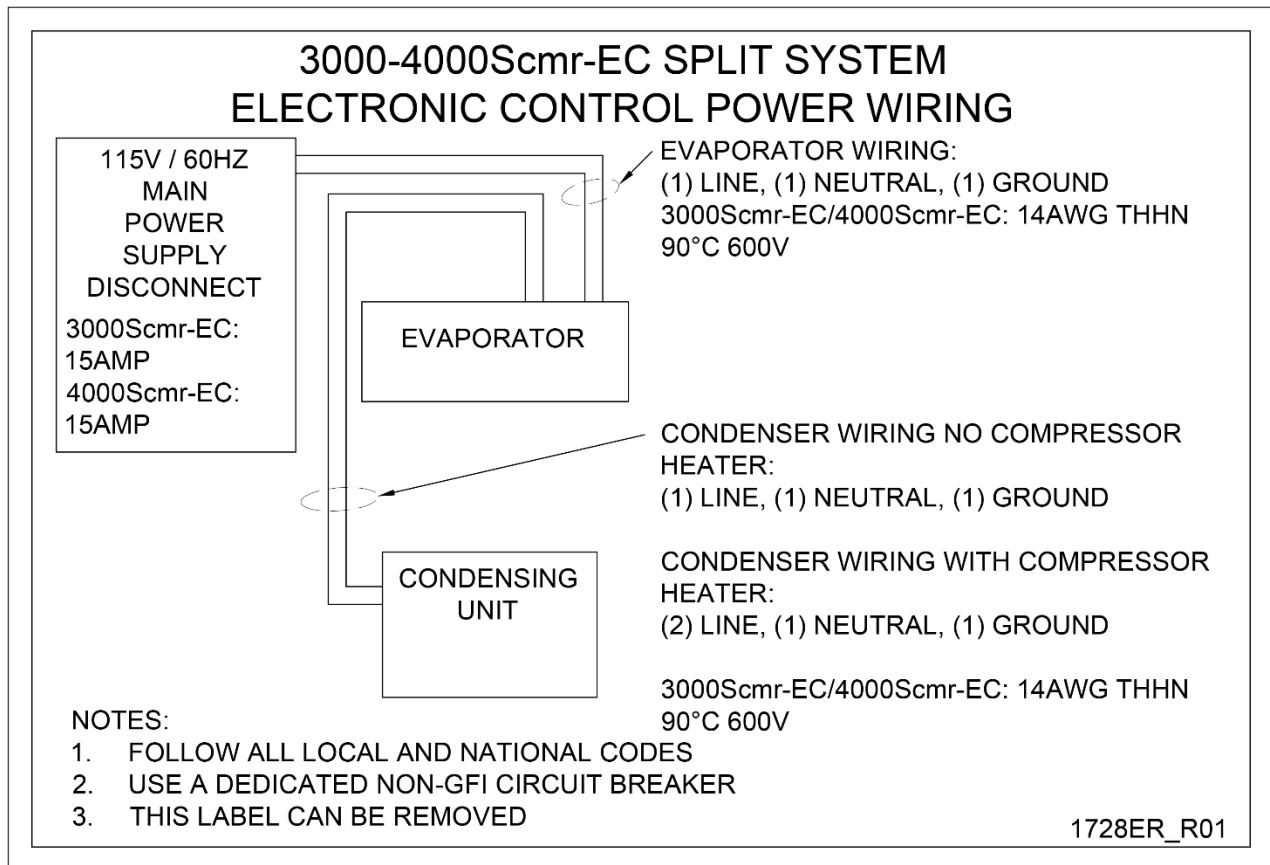


# Wiring Diagram: Single Power / Electronic Control

3000-4000  
Scmr-EC

## Power Wiring Schematic

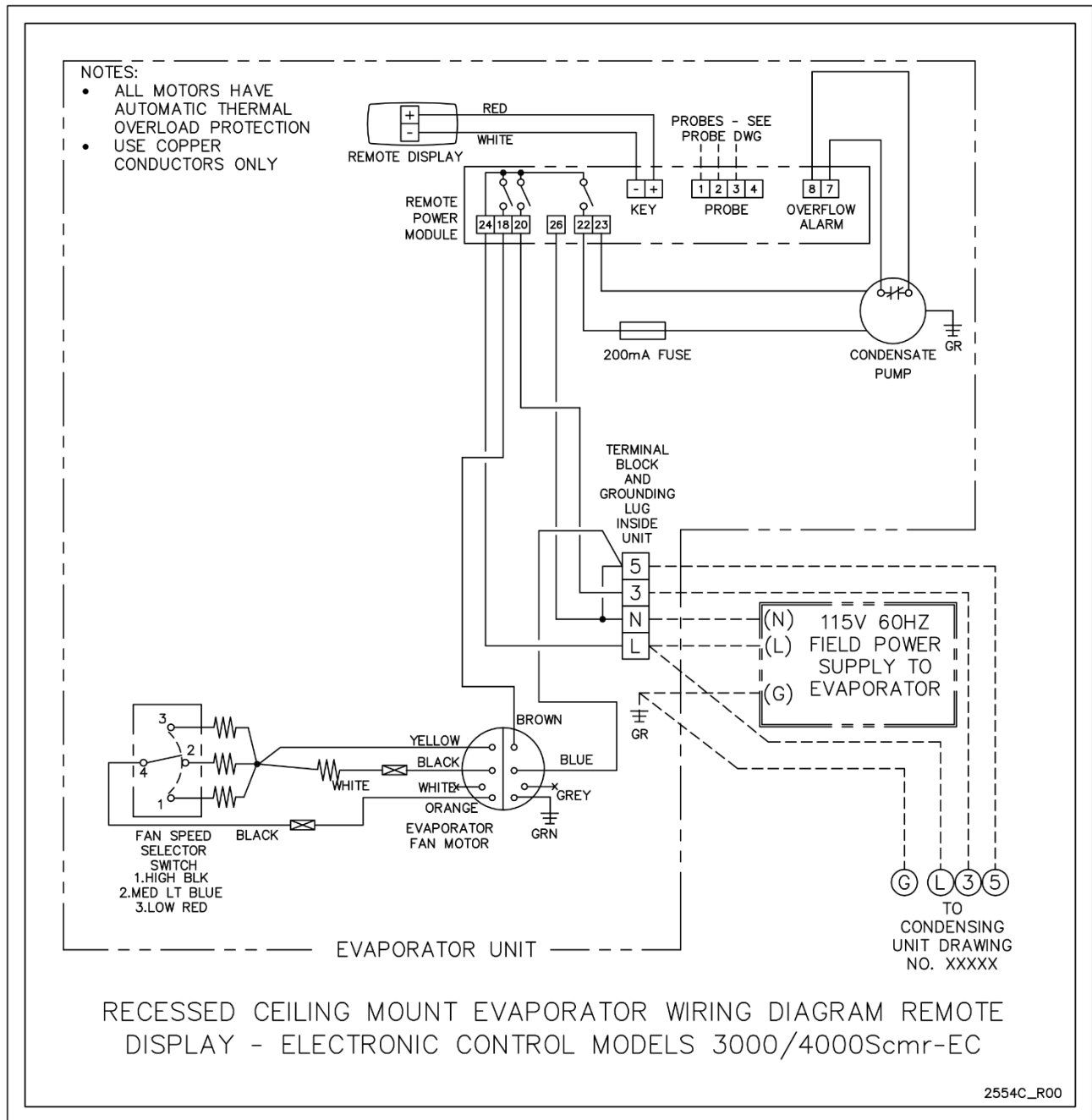


**Note:** Refer to Owner's Manual for detailed wiring schematics by model and configuration.

# Wiring Diagram: Single Power / Electronic Control

3000-4000  
Scmr-EC

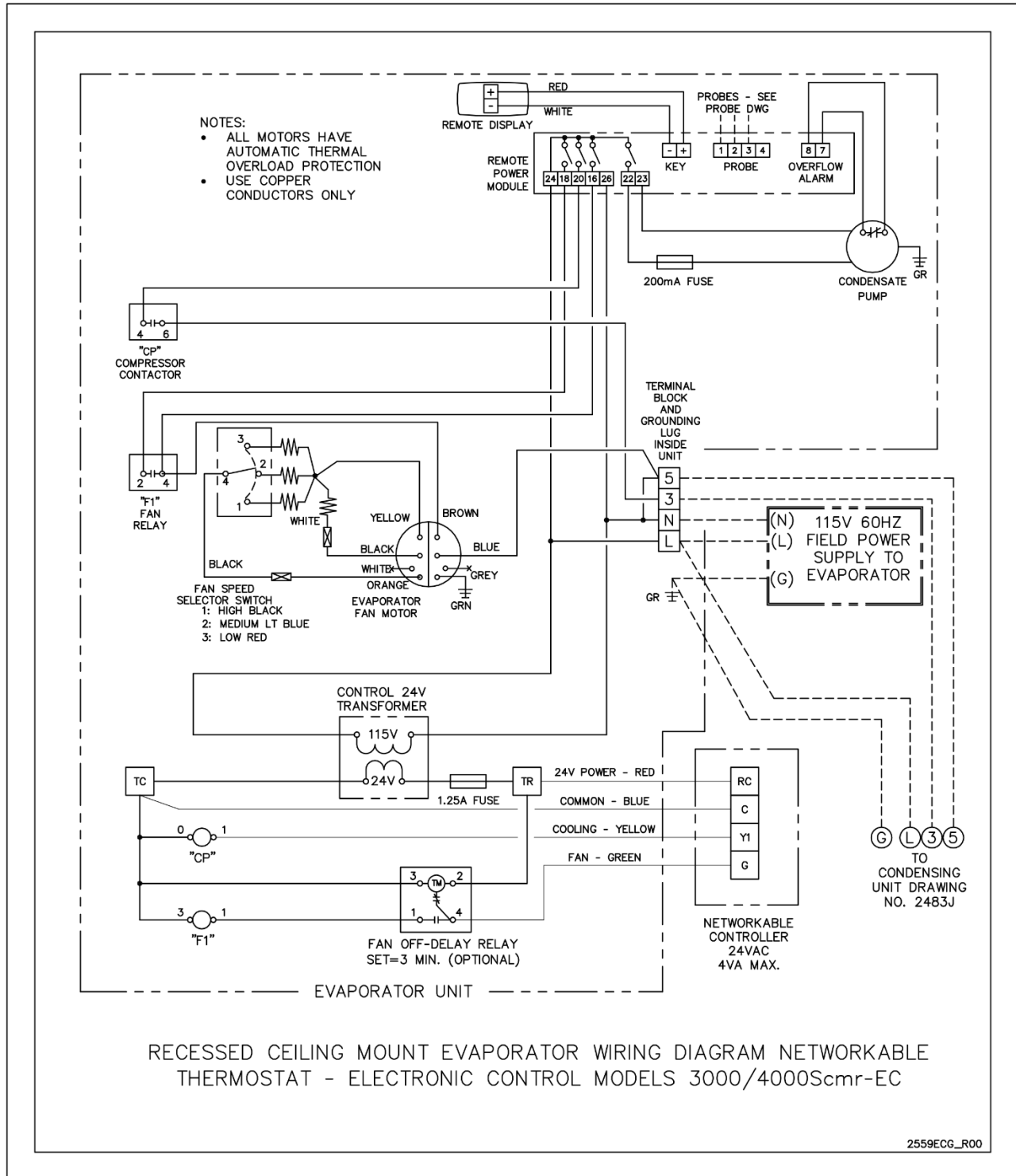
## Evaporator Wiring Schematic



# Wiring Diagram: Single Power / Electronic Control

3000-4000  
Scmr-EC

## Networkable Thermostat Evaporator Wiring Schematic



# Wiring Diagram: Single Power / Electronic Control

3000-4000  
Scmr-EC

## Condensing Unit Wiring Schematic

