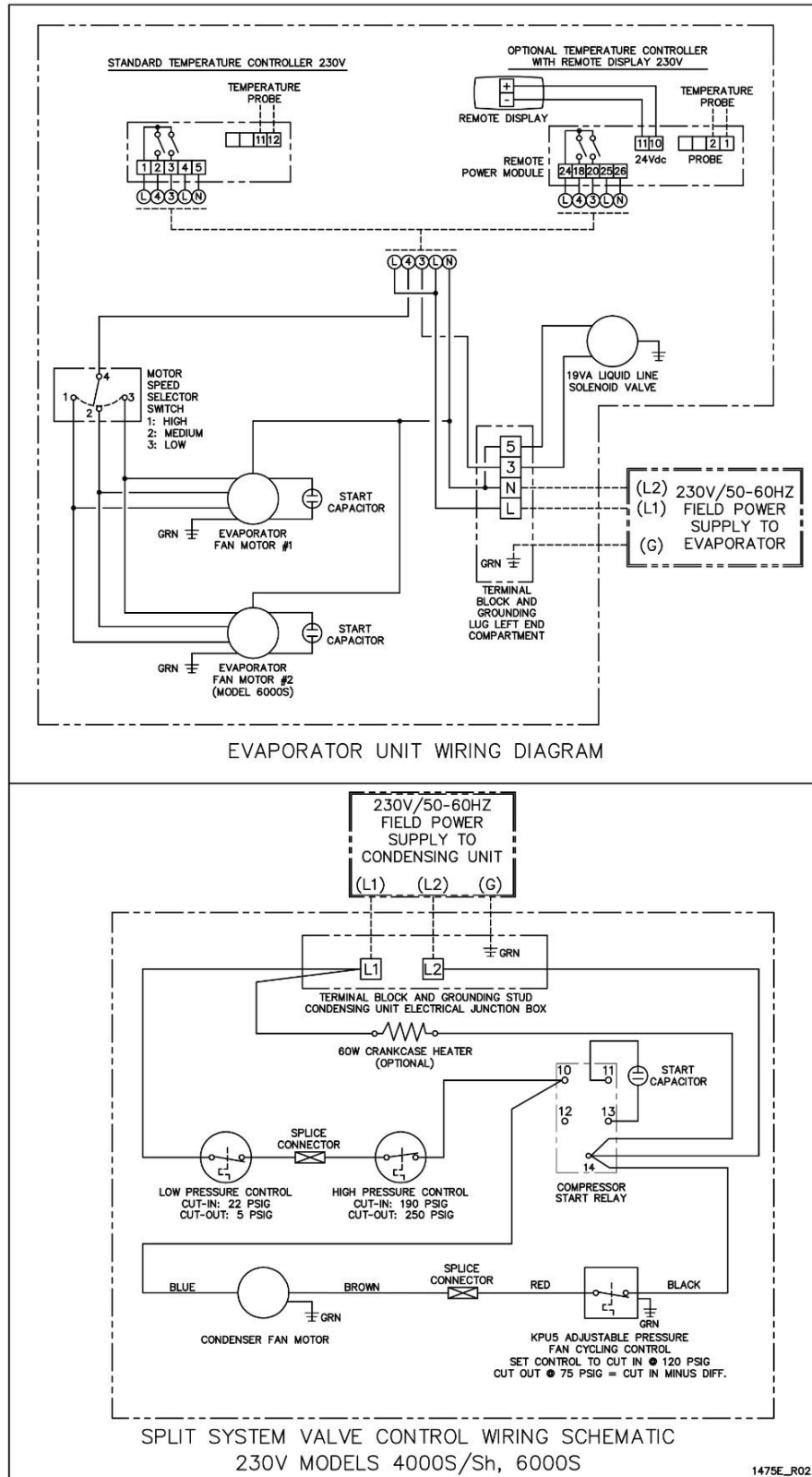


Wiring Diagram: Dual Valve Control

4000S/Sh 220V
6000S 220V



1475E_R02