

R808

1080-degree speaker wired all-in-one game steering wheel

● Point of attentions

1. After the steering wheel is connected to the computer, the default Directinput mode supports the H lever; if the steering wheel is in Xinput mode, it does not support the H lever, and the steering wheel can only be used normally when the steering wheel is in Directinput mode.
2. The gear lever and the pedal cannot be inserted into the wrong position to avoid abnormal problems.
3. 3. If the pedal or gear lever is abnormal, please check whether the USB port in the storage box which behind the steering wheel is inserted in the wrong position or check whether the USB of the pedal gear lever is inserted in right place.
4. If the steering wheel does not vibrate in the game, please check whether the game supports vibration, check whether the steering wheel Directinput mode or Xinput mode matches the game mode, or check whether the driver is installed and whether it is successfully installed.
5. When you receive the steering wheel, please connect it to the computer and long press the "≡ key + R3 key" for 3 seconds to perform factory settings in the same time, and then perform other functional tests.
6. The rotation of the steering wheel has a direction extension function. When using the steering wheel to connect to the computer for the first time, first turn the steering wheel left and right to the maximum angle to perform extended calibration.
7. The pedal gear lever of the steering wheel has an automatic calibration function after it is connected to the computer. Before connecting the computer, please put the steering wheel/accelerator pedal/brake/clutch/gear lever of the wheel in the non-operating state. Then you can perform a normal calibration. Otherwise it will result in poor calibration.
8. The PS5 platform can only guide the PS4 controller to play PS4 games.
9. The guide controller must be guided with the original controller, otherwise there may be incompatibility issues.
10. The XBOX360 platform uses the guide function, and the guide controller is only compatible with the wired XBOX360 original controller for guide.
11. The steering wheel speaker will be automatically cut off after the earphone is plugged into the steering wheel.
12. Platform indicator light: PC-Xinput mode is emerald green light / PC-Directinput mode is light blue light / SWITCH is red light / PS3 is green light / XBOX360 platform is blue light / XBOXone is purple light / XBOX-Series X platform is purple light / PS5 is blue light/PS4 platform is blue light.

13. The steering wheel speaker function is only compatible with the following platforms, PC/PS5/PS4/XBOX-Series X/XBOX-one, and other platforms are not compatible with the steering wheel speaker function.

14. About guiding: first connect the guiding controller to the USB socket with the letter D on the back of the steering wheel. When connecting the main line of the steering wheel, plug in the USB thick line first, then check whether the steering wheel guiding is successful. If the guiding is successful, then plug the USB thin line into the another USB port of the game console.

15. Regarding the description of the double-headed USB main line, the thick line is the USB signal line, and the thin line is the power supply line of the speaker. The platform that does not support the steering wheel speaker does not need to connect the USB thin line.

16. Steering wheel master control double-headed USB cable, the thick line is the USB data line, the USB thin line is the speaker power line, the thin line is mainly to provide enough power for the speaker, when connecting the USB to a computer or other game consoles, first plug in the thick line and then plug in the thin line Only then can the connection be normal, otherwise it may not be recognized.

17. When the steering wheel is used on the computer, the USB main line of the steering wheel must be connected to the USB socket on the back of the computer, first plug in the thick USB line and then the thin USB line. (If the USB main line is plugged into the front port of the computer, it will cause insufficient power supply of the speaker and make noise)

18. Description on the steering wheel speakers: the built-in speakers of the steering wheel have high requirements on the power supply, and the output current of some computers is not enough to drive the speakers. If this problem occurs, the steering wheel cannot recognize the computer normally. In this case, please plug the thinner USB cable which behind the steering wheel into the power bank, and connect the thick USB cable to the computer; or use a USB splitter with power supply, insert both the thick USB cable and the thin above the splitter.

19. Beause the high-speed device that inside the steering wheel does not support the USB extension cable. If the steering wheel main control USB cable is not long enough, you can buy a HUB splitter, and connect the steering wheel' s USB to the HUB splitter and it can be used normally.

20. When the angle of the steering wheel feels wrong or the key position does not match the manual, you should have set this function, and you can reset the steering wheel by factory setting.

21. After the steering wheel is purchased, the H gear lever is generally in the state of not being paired with the steering wheel for calibration. Please follow the introduction of the gear lever to perform the gear lever pairing calibration.

● Introduction to the steering function wheel

1. What is Directinput mode: Directinput is the old game input standard of Windows operating system. Most old games support the game controllers to use Directinput. If the game supports Directinput game controllers and the steering wheel is in Xinput mode, most functions of the steering wheel will not work properly, and the vibration function will not be supported.

What is Xinput mode: Xinput mode is PC360 mode. Xinput is the latest game input standard in Windows operating system. Most recent games support game controllers using Xinput. XBOX360 controller use Xinput. If the game supports Xinput game controllers, and the steering wheel is in Xinput mode, the vibration feedback and all functions of the steering wheel will work normally. If the game supports Xinput game controllers and the steering wheel is in Directinput mode, the steering wheel will not work properly in the game (unless you switch the steering wheel to Xinput mode).

2. The steering wheel comes with a speaker function, two 4 ohm 3 watt woofers, signal-to-noise ratio $\geq 80\text{dB}$ A, distortion $\leq 2\%$, frequency 90-20khz.

3. Steering wheel guidance supports platforms PS5/PS4/XBOX-Series X/XBOX-one/XBOX-360; what is steering wheel guidance, it is to insert the original controllers of the previous platforms corresponding to each platform through the data cable to the position marked with the letter D in the storage box which behind the steering wheel, and start the steering wheel through the original controllers.

4. The direct insertion of the steering wheel supports the platform PS3/PC-Xinput/PC-Dinput /switch, and the default is the Directinput mode after connecting the computer.

5. Steering wheel speakers support platforms PC/PS5/PS4/XBOX-Series X/XBOX-one.

6. On the PS5 platform, the steering wheel can only guide the PS4 controller to play PS4 games.

7. When the steering wheel volume switch is turned off, it will automatically switch to your original volume output.

8. Support 3.5mm headphone function and support MIC voice. (support national standard headphone cable)

9. The steering wheel supports high and low gear functions.

10. Support the hot swap function of pedals and gear levers; the pedals and gear levers can be plugged and unplugged when the steering wheel is charged

11. Support 5 levels of sensitivity adjustment.

12. Support function key replacement.

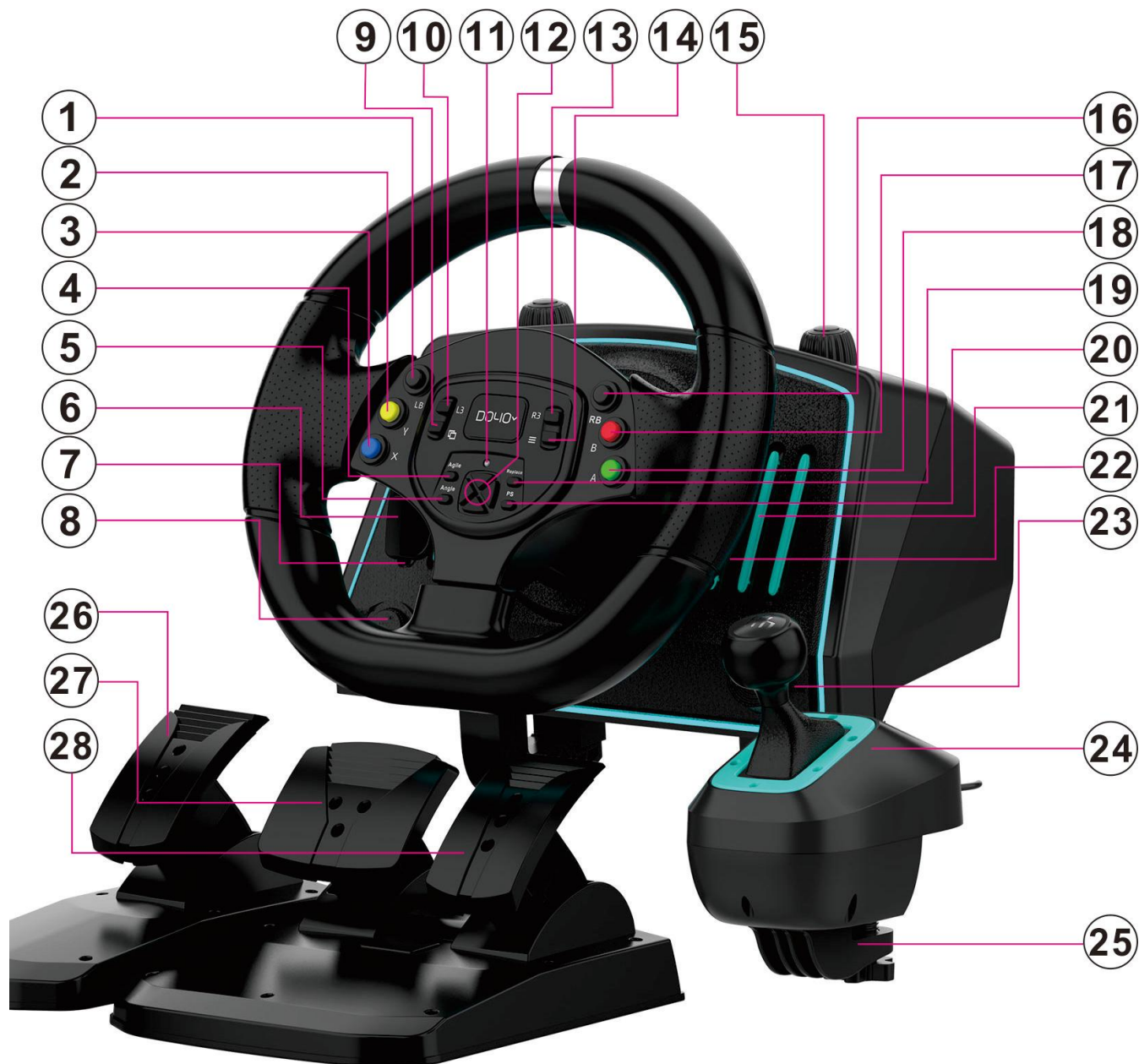
13. Support locking at any angle when the steering wheel is turned more than 180 degrees.

14. Angle lock function and replacement function support power-off memory.

15. Support long press "≡ key + R3 key" for 5 seconds to performance the

steering wheel to factory settings.

●Steering wheel function introduction



1. LT function key.
2. Y function key.
3. X function key.
4. Agile function, sensitivity setting key.
5. Angle function, angle setting function key.
6. The left trigger paddle, the default LB function.
7. Left channel speaker.
8. Volume switch and volume control potentiometer
9. Function SELECT key
10. L3 Function Key
11. Platform indicator light and function indicator light.

12. Direction control keys.
 13. R3 function key.
 14. Function START key.
 15. Steering wheel fixture.
 16. RT function key.
 17. B function key.
 18. A function key.
 19. Replace key, the function replaces the setting key.
 20. PS button, PC platform switches Directinput mode and Xinput mode, press and hold for 3 seconds to switch; PS platform is used as PS button; NS Switch platform MOMENT button function.
 21. Right channel speaker.
 22. Right trigger paddle, default function RB
 23. High and low gear adjustment switch.
 24. H gear lever, 6 gears + 1 reverse gear.
 25. Gear bar clamp.
 26. The clutch function of the pedal.
 27. The brake function of the pedal.
 28. The refueling function of the pedal.
- When the "≡key + R3 key" is pressed at the same time for 3 seconds to restore the factory settings.

● Special function introduction of steering wheel

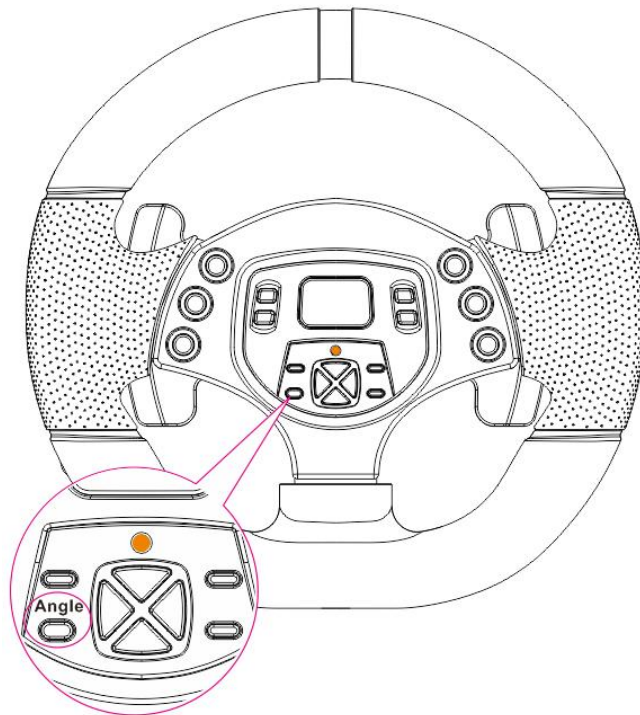
1. Introduction to the connection of the steering wheel USB cable: The thick USB cable is a signal control cable. The main control signal transmission is directly connected to the computer and the game consoles of each platform. The thin USB cable is mainly to supply power to the steering wheel speaker. When the steering wheel has the following problems, the steering wheel cannot be recognized normally when it is connected to the computer, there is a freeze or disconnection during use, the controller is automatically disconnected during use, and there is noise in the sound quality, etc. When there is a problem, you need to connect the power supply cable of the steering wheel speaker to the mobile power supply or the USB of the mobile phone charger, or use a HUB splitter with external power supply, and plug both USBs into the splitter.

When connecting the USB thick cable and thin cable to each game platform, you need to connect the thick cable first and then connect the thin cable to supply power. The reverse operation may cause the steering wheel to not work.

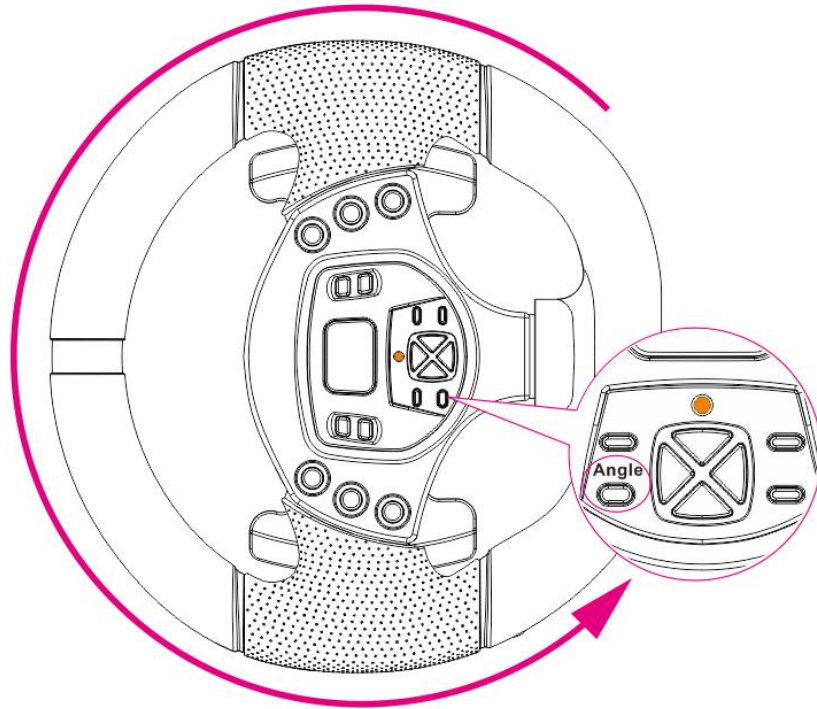


2. Angle function: Angle setting key, which can be set at any angle greater than 180 degrees to lock.

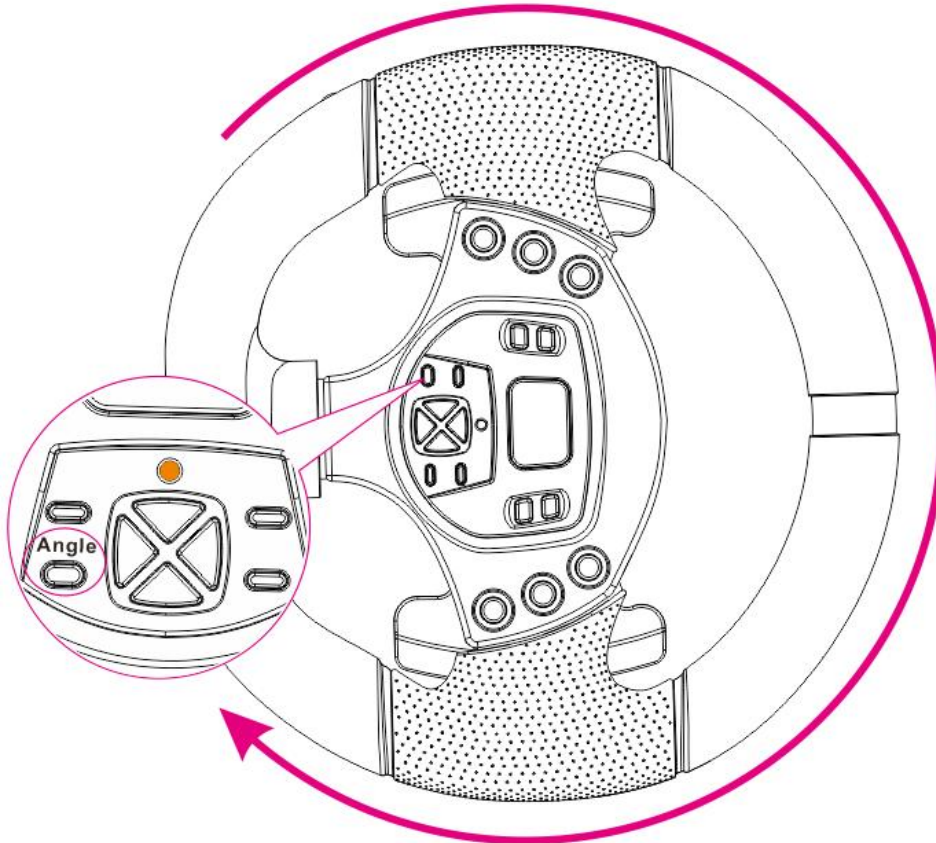
Setting method: For example, if the angle is set to 900 degrees, press and hold the "Angle" button for about 2 seconds and the orange LED will flash to enter the angle setting.



After entering the angle setting, turn the left side of the steering wheel to the position of 900 degrees and press the "Angle" button once to lock the angle, and the LED will return to the platform indicator.



Then press and hold the "Angle" button again for about 2 seconds, the orange LED flashes, the steering wheel turns right to the 90 degree position, press the "Angle" button to lock the angle, and the LED returns to the platform indicator.



3. Replace function, function key replacement key, you can replace the

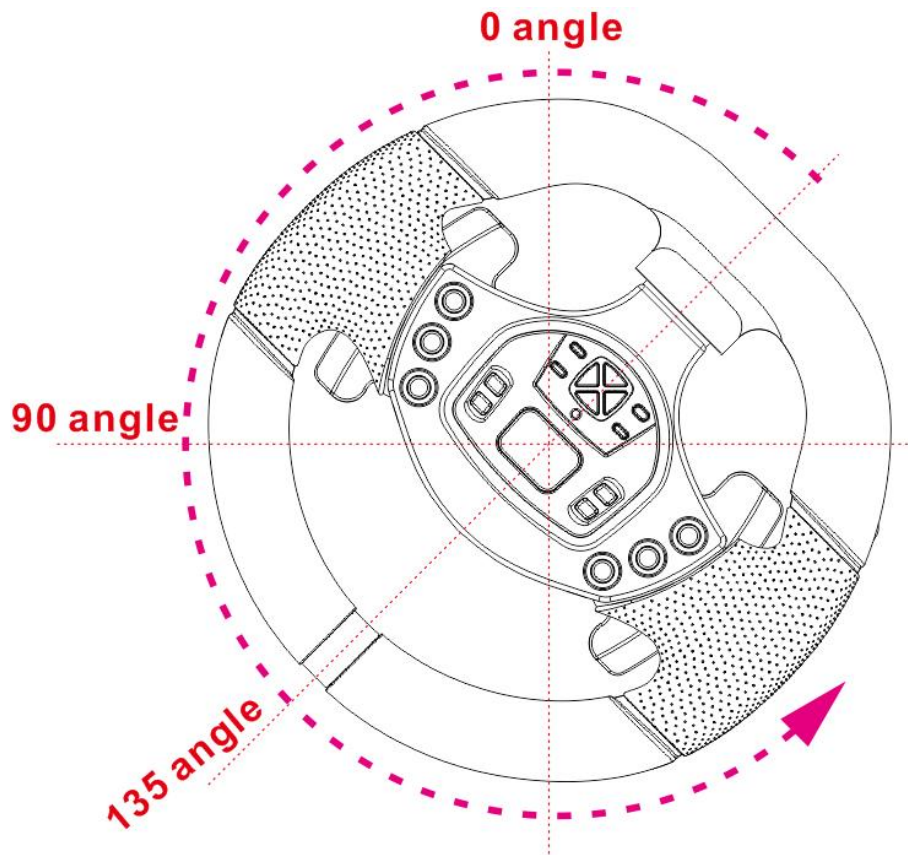
action keys A/B/X/Y/L3/R3/LT/RT/LB/RB on the steering wheel with 1/2/3/4/5/6/R/High and low gears above of the fuel/brake/clutch/gear lever on the pedal. How to use For example: change the position of the left trigger and the A button: press and hold the replacement button for 2 seconds, the orange LED light is on, press the left trigger LED to flash, then press the placenta A button and the orange LED turns off, and the replacement is completed. At this time, the left trigger position has the A key function, and the replacement method of other functions is the same. If you do not want to replace after entering the replacement mode, you can click the "Replace" button to exit or wait 60 seconds to automatically exit the replacement mode.

One-key clear replacement function: press and hold the Replace button for 5 seconds, wait for the orange LED to flash quickly, and clear all replacement functions.

4. Agile key sensitivity setting key: We often fail to turn when we make a sharp turn in racing games. It feels like the turning direction is delayed. In fact, this is related to the steering sensitivity of the game. The default steering sensitivity of each game will be slightly different. So there will be this kind of steering problem, we can debug the direction sensitivity in the game settings; we can also set the sensitivity through the steering wheel.

Sensitivity Description: Before using the sensitivity, please set the angle of the steering wheel through the "Angle" button to match the angle of the steering wheel in the game.

For example, I rotate the steering wheel to 0 to 135 degrees, but the rotation speed of the steering wheel in the game is obviously slower than the steering wheel. At this time, we can set the sensitivity level to be close to the rotation speed of the steering wheel, so that the experience will be comfortable.



The sensitivity function is not suitable for big truck games such as "Chinese Truck Simulator", "Euro Truck Simulator", "Truck Driver Simulator", "Heavy Truck Simulator", "Simulator Bus Real Driving" and so on.

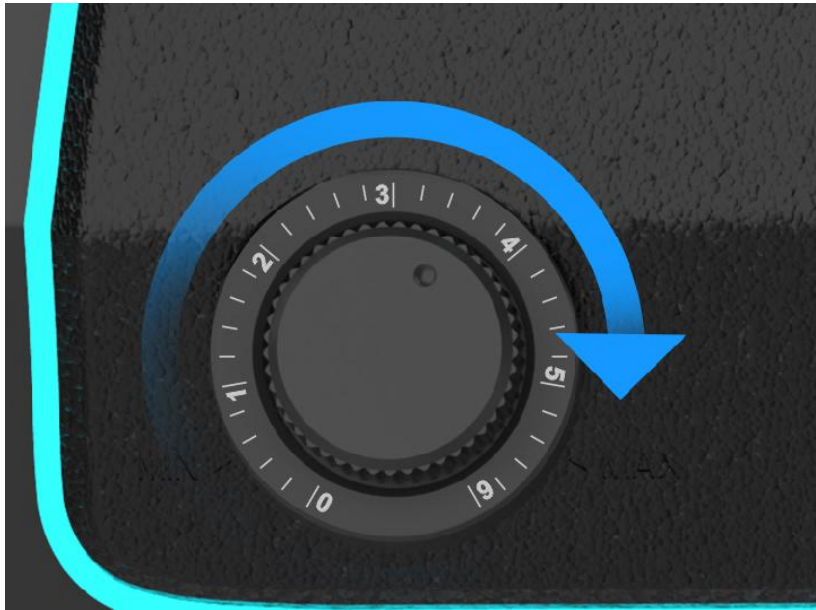
Sensitivity is mainly used in "Need for Speed", "GT", "Galloping Afterimage", "Dust" and so on.

The sensitivity is divided into 5 levels, each level corresponds to a different color of LED, the steering wheel connected to the computer defaults to level 1 standard sensitivity;The higher the level, the more sensitive the direction rotation is;The first level is red light, the second level is green light, and the third level is light green light, the fourth level is blue light and the fifth level is purple light.

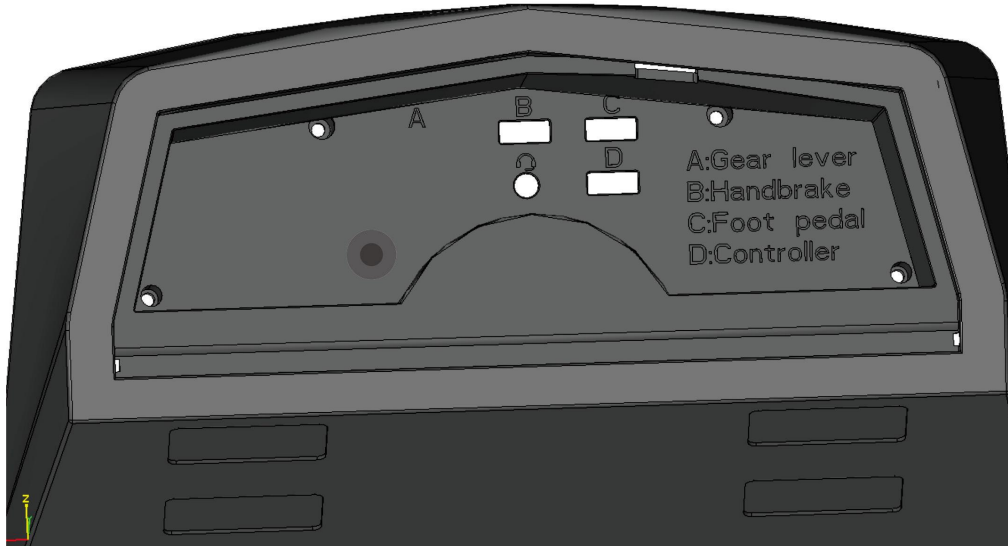
Sensitivity setting method: long press "Agile" for about 2 seconds, the sensitivity LED of the corresponding level is on, press the direction control key up to increase the sensitivity, press the direction key down to decrease the sensitivity, each level of sensitivity corresponds to a different color light; Press the sensitivity key again to exit the setting after the setting is completed.

5. The volume potentiometer is divided into 6 levels. The 0 position is to turn off the steering wheel speaker function. After turning off, it will automatically switch to the original audio output.

Turn on the volume switch and switch to the steering wheel speaker, we can adjust the volume according to the required sound level.

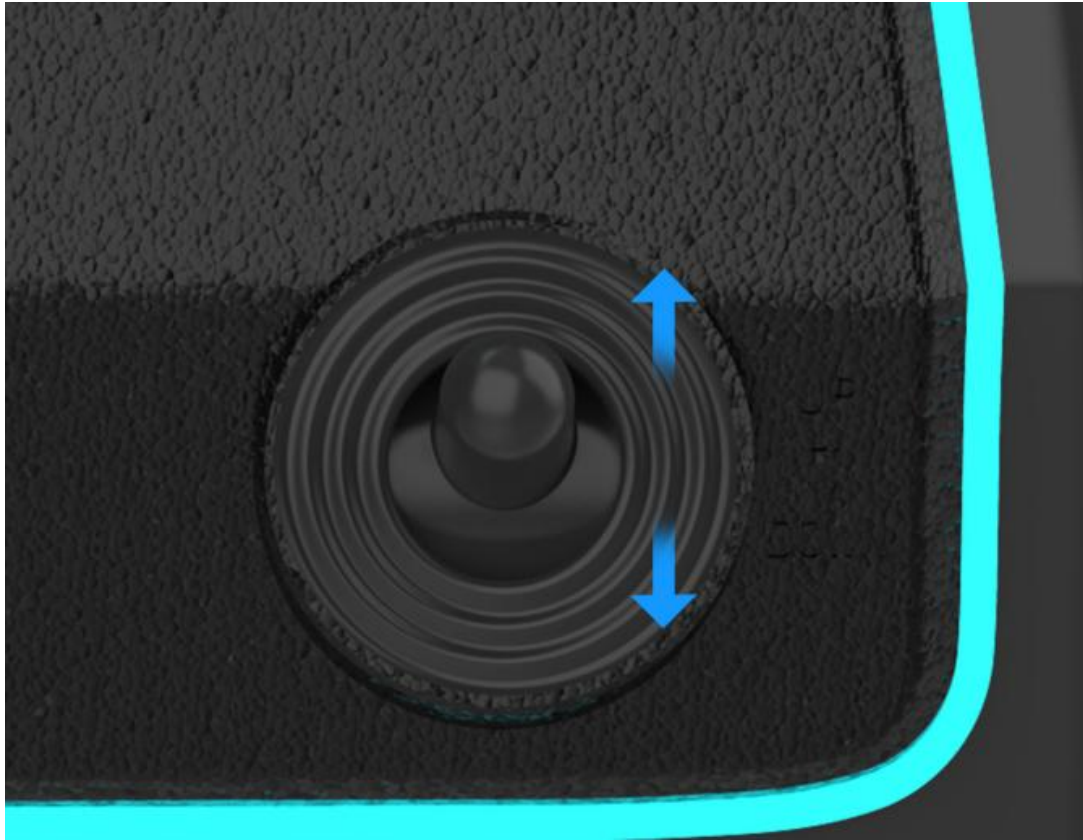


6. The connection of gear lever/foot pedal/guide/headphone position, the B letter position behind the steering wheel is connected to the gear lever, the C letter position is connected to the foot pedal, the D letter position is connected to the guide controller, and the earphone is inserted into the socket with the earphone icon. Pay attention to check before use, do not insert the wrong position to cause abnormal use of the steering wheel.



The high and low gear shake adjustment switch, every time the high and low gear is toggled, the controller button 17 will light up and go out; When the steering wheel is not set in the game, the H gear lever is from 1 to 6 gears. When the high and low gear function is set in the game, 12 gears can be realized. After the switch is shaken to a high gear, the 1st gear of the H gear lever corresponds to the 7th gear of high gear, the 2nd gear corresponds to the 8th gear of high gear, the 3rd gear corresponds to the 9th gear of high gear, The 4th gear corresponds to the 10th gear

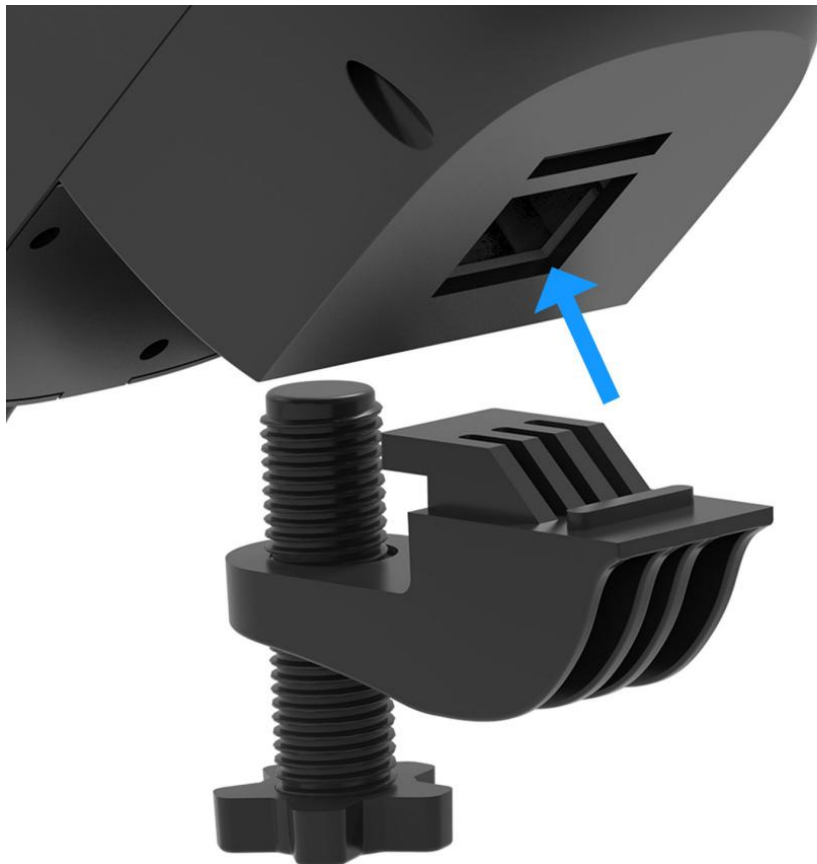
of high gear, the 5th gear corresponds to the 11th gear of high gear, and the 6th gear corresponds to the 12th gear of high gear.



8. a. Introduction to the use of the gear lever. The gear lever is divided into 6 gears and 1 reverse gear. When the 1st gear is engaged, the gear lever is moved to the left and then pushed forward; When the 2nd gear is engaged, the gear lever is moved to the left and then pull back. When shifting to 3rd gear, the gear lever returns to the center position and push it forward; When shifting to 4th gear, the gear lever returns to the center position and pulls backward; when shifting to 5th gear, move the gear lever to the right and then push forward; When shifting to the 6th gear, move the gear lever to the right and then pull it backward; when shifting to the reverse R gear, you need to press down on the gear lever to pull it back to the 6th gear position, and you also need to press down on the gear lever and push it forward to exit the R gear. Note that if R gear is not cooperate correctly, it is easy to be confused with the 6th gear. At this point, you must pay attention to the coopeartion to press down the gear lever to engage the gear and press down the gear lever to reverse the gear.

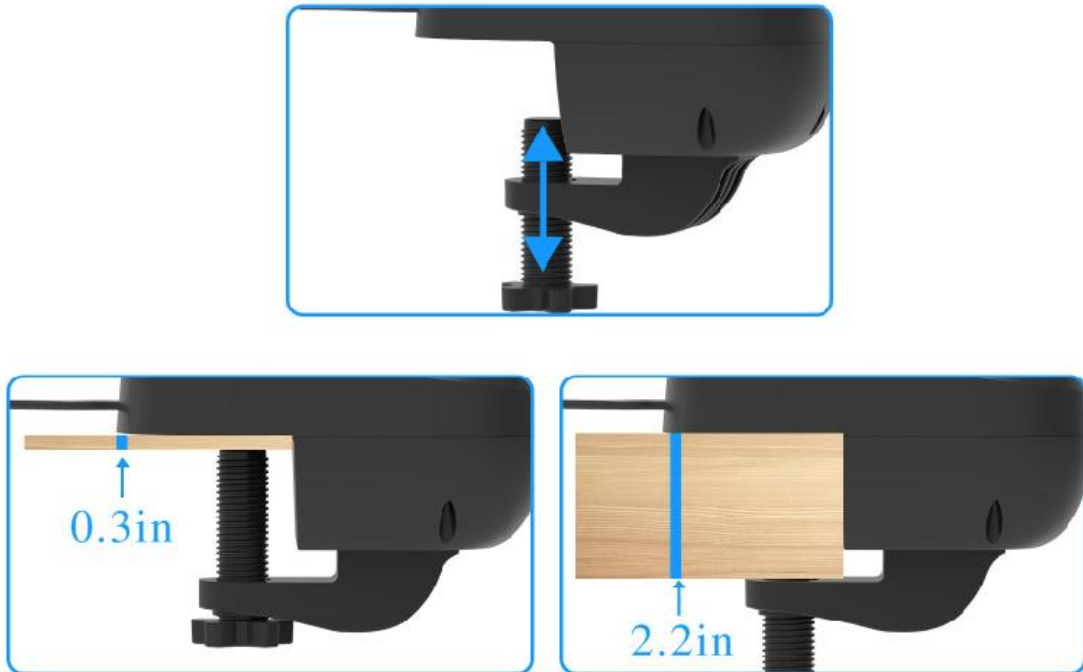


b. Introduction to the use of installation fixtures. First loosen the screw of the clamp. Then install the clamp in the hole under the gear lever.



c. Then push the gear lever installed with the into the edge of the table and tighten the screw; Supporting the thickness of the table is 8mm to

55mm.



d. Instructions for pairing and calibration of gear lever: After purchasing the steering wheel, please follow the method below for pairing and calibration.

First, insert the gear lever into the USB socket marked B on the back of the steering wheel, and put the gear lever in neutral, then press and hold the three functions of X/Y/left trigger on the steering wheel at the same time and do not release it. Plug usb of the steering wheel into the computer, if it successfully enters the pairing calibration mode, the steering wheel lights up red;

After entering the pairing calibration mode, release the three functions of the long press, push the gear lever to the third position and shake it left and right to get the maximum space value, then press the A button on the steering wheel to confirm, at this time the purple LED on the steering wheel is on, and then push the gear lever to the 4th position and shake it left and right to get the maximum space value, then press the A key to confirm. At this time, the LED will return to the normal mode, and the pairing calibration is completed. Just plug and unplug the steering wheel once again and it can be used normally.

Note: If the gear lever has not been paired and calibrated, there may be situations where the gear lever jumps gear or individual gears have no function.

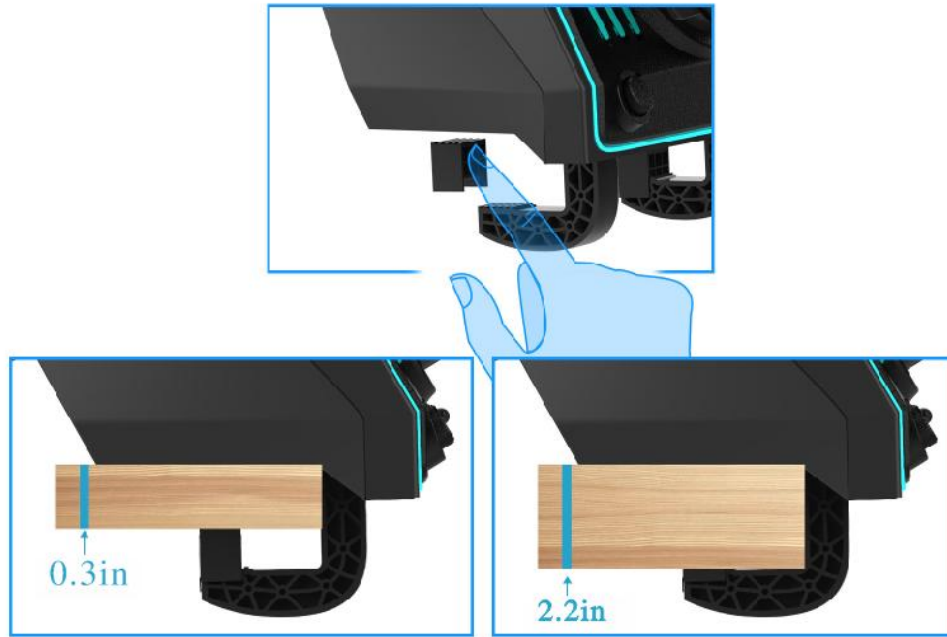
6. Install the steering head. After the steering wheel is purchased, the head is in disassembled state. It is necessary to fix the head and the main body. Pay attention to the alignment direction. After the head is aligned with the main body, turn the nut of the main body to the left and tighten it. (If the nut is not tightened during use, the nut will come out)



7. Storage box, when the machine is not in use, the USB cable which behind the steering wheel can be stored in the storage box.



8. Install the fixture of steering wheel. The fixture is suitable for the thickness of the desktop between 8mm and 55mm. If our table is thicker, please gently pull off the heightening buckle at the bottom of the fixture. If the table is thinner, you can install the heightening buckle on it.



● Connect to PS3 console

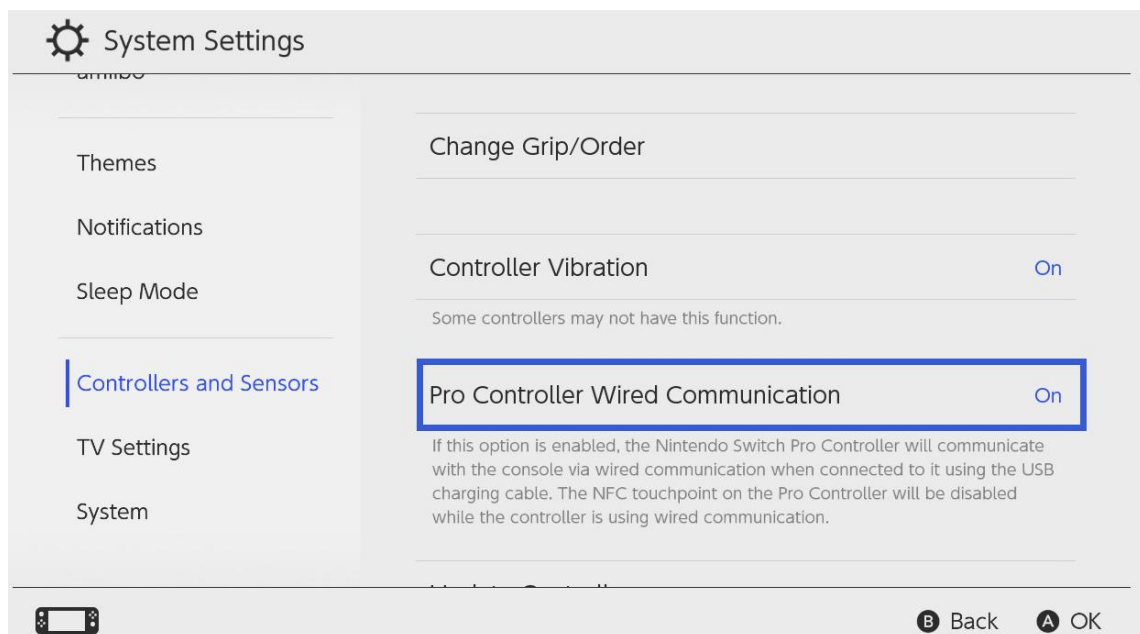
First, connect the USB of the foot pedal to the position marked C in the storage box which behind the steering wheel, connect the USB of the gear lever to the position marked B in the storage box which behind the steering wheel, and then connect the thick main line of the steering wheel USB to the USB of the PS3 host port; (USB thin line is the power supply line of the speaker, the platform that does not support the steering wheel speaker does not need to plug in the USB power supply line) After the connection is successful, the green indicator light of the steering wheel is on.

If the game does not support the H gear lever, please use the left and right trigger paddles as an automatic gear lever.

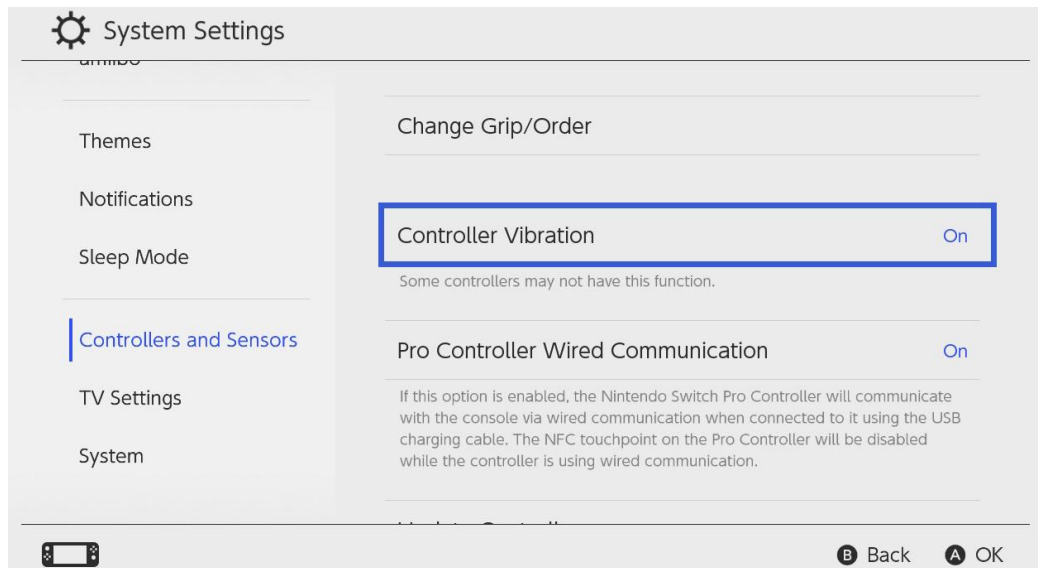


● Connect to NS-Switch host

Before connecting the SWITCH steering wheel to the SWITCH host, you need to turn the wired connection on the host to ON first, as shown in the figure below.



Turn on the vibration function of the SWITCH console, and select the vibration switch in the settings of the SWITCH console as shown in the figure below to "on". After the vibration function is turned on, the steering wheel will have the vibration function during the game.

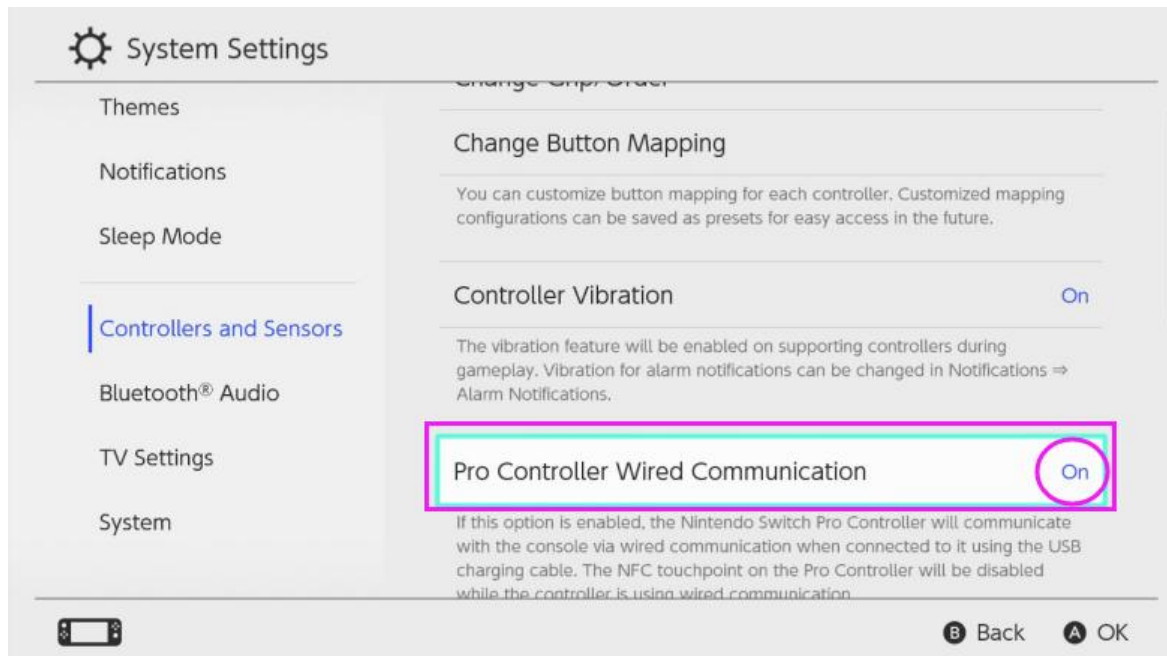


First install the SWITCH console in the base, then connect the USB of the foot pedal to the position marked C in the storage box behind the steering wheel, connect the USB of the gear lever to the position marked B in the storage box behind the steering wheel, and then connected the USB thick main line of steering wheel to the usb port of the SWITCH base. (The usb thin line is the speaker power supply line. The platform that does' t support the steering wheel speaker does not need to plug in the USB power supply line.) After the connection is successful, the red indicator light of the steering wheel is on.

If the game does not support the H gear lever, please use the left and right trigger paddles as an automatic gear lever.



Regarding the 1080-degree calibration of the lower direction of the SWITCH console, if the steering wheel cannot be rotated to the maximum during the use of the steering wheel, please unplug the steering wheel connected to the SWITCH line, turn off the "on" in the following options, and then turn it on again. Then connect the steering wheel USB to the console.



● Connect XBOX-360 device

Connect the USB of the foot pedal to the position marked C in the storage box behind the steering wheel, connect the USB of the gear lever to the position marked B in the storage box behind the steering wheel, connect the USB of the original XBOX360 wired controller to the position marked D in the rear storage box, Then connect the thick USB cable main line of the steering wheel to the USB port of the XBOX360 device; (the USB thin line is the speaker power supply line, and the platform that does not support the steering wheel speaker does not need to plug in the USB power supply line.) After the connection is successful, the purple indicator light on the steering wheel is on, and the first light on the XBOX360 controller is on.

Remarks: The XBOX360 platform must use the original wired XBOX360 controller for guide connecting; the XBOX360 wireless controller does not support guide connecting.

If the game does not support the H gear lever, please use the left and right trigger paddles as an automatic gear lever.



●Connect XBOX-one device

Connect the USB of the foot pedal to the position marked C in the storage box behind the steering wheel, connect the USB of the gear lever to the position marked B in the storage box behind the steering wheel, remove the battery of the original XBOXone wireless controller and then connect it to the position marked D in the rear storage box through the USB data cable , and then connect the main line of the thick USB cable of the steering wheel to the USB port of the XBOXone device;and then connect the main line of the thick USB cable of the steering wheel to the USB port of the XBOXone device;after the steering wheel is connected successfully, connect the thin USB cable to another USB port of the XBOXone device;Pay attention to the USB thin cable can only be connected after the thick cable is connected; the USB thin cable is the power supply line of the steering wheel speaker, which can be connected to a power bank or a DC5V power supply. After the connection is successful, the purple indicator light of the steering wheel is on, and the XBOXone controller light is always on. Turn on the volume switch and the steering wheel will automatically recognize

that the speaker function is turned on; if you use the earphone function, please insert the earphone at the position marked with the earphone behind the steering wheel. (Earphones are not provided at the factory, you need to purchase national standard earphones by yourself)

Remarks: Before connecting the original XBOXone wireless controller to the steering wheel, the power must be turned off or the battery of the controller must be removed.

If the game does not support the H gear lever, please use the left and right trigger paddles as an automatic gear lever.



●Connect XBOX-Series X device

Connect the USB of the foot pedal to the position marked C in the storage box behind the steering wheel, connect the USB of the gear lever to the position marked B in the storage box behind the steering wheel, removes the battery of the XBOX-Series X original wireless controller first and then connects it to the position marked D in the rear storage box through the USB data cable, and then connect the main line of the thick USB cable of the steering wheel to the USB port of the XBOX-Series X device; after the steering wheel connect successfully, connect the thin USB cable to another USB port of the XBOX-Series X device. Note that the thick USB cable must be connected first and then connect the thin USB cable; the thin USB

cable is the power supply line of the steering wheel speaker, which can be connected to a power bank or DC5V power supply. After the connection is successful, the purple indicator light of the steering wheel is on, and the XBOX-Series X controller light is always on. Turn on the volume switch and the steering wheel will automatically recognize that the speaker function is turned on; if you use the earphone function, please insert the earphone at the position marked with the earphone behind the steering wheel. (Earphones are not provided at the factory, you need to purchase national standard earphones by yourself)

Remarks: The XBOX-Series X wireless controller must be turned off or the battery of the controller must be removed before connecting to the steering wheel.

If the game does not support the H gear lever, please use the left and right trigger paddles as an automatic gear lever.



● Connect PS4 device

Connect the USB of the foot pedal to the position marked C in the storage box behind the steering wheel, connect the USB of the gear lever to the

position marked B in the storage box behind the steering wheel, connect the PS4 original wireless controller to the position marked D in the rear storage box through the USB data cable when it is turned off, and then connect the thick USB cable main line of the steering wheel to the USB port of the PS4 device; After the steering wheel guide connects successfully, connect the USB thin cable to another USB port of the PS4 device. Note that the USB thick cable must be connected first and then connect the USB thin cable; the USB thin cable is the power supply line of the steering wheel speaker, which can be connected to a power bank or a DC5V power supply. After the connection is successful, the green indicator light of the steering wheel is on, and the blue light of the PS4 controller is on. Turn on the volume switch and the steering wheel will automatically recognize that the speaker function is turned on; if you use the earphone function, please insert the earphone at the position marked with the earphone behind the steering wheel. (Earphones are not provided at the factory, you need to purchase national standard earphones by yourself)

Remarks: The PS4 wireless controller must be turned off before connecting to the steering wheel. Then it will guide connect successfully.

If the game does not support the H gear lever, please use the left and right trigger paddles as an automatic gear lever.



●Connect PS5 device

The PS5 platform can only support connecting to the PS4 controller to guide and play PS4 racing games; it does not support the PS5 controller to guide and play PS5 games.

Connect the USB of the foot pedal to the position marked C in the storage box behind the steering wheel, connect the USB of the gear lever to the position marked B in the storage box behind the steering wheel, connect the PS4 original wireless handle to the position marked D in the rear storage box through the USB data cable when it is turned off, and then connect the thick USB cable main line of the steering wheel to the USB port of the PS5 device; After the steering wheel connects successfully, connect the USB thin cable to another USB port of the PS5 device; note that the USB thick cable must be connected first and then connect the USB thin cable; The USB thin cable is the power supply line of the steering wheel speaker, which can be connected to a power bank or a DC5V power supply. After the connection is successful, the green indicator light of the steering wheel is on, and the blue light of the PS4 controller is on. Turn on the volume switch and the steering wheel will automatically recognize

that the speaker function is turned on; if you use the earphone function, please insert the earphone at the position marked with the earphone behind the steering wheel. (Earphones are not provided at the factory, you need to purchase national standard earphones by yourself)

Remarks: The PS4 wireless controller must be turned off before connecting to the steering wheel. Then it will guide connect successfully.

If the game does not support the H gear lever, please use the left and right trigger paddles as an automatic gear lever.



● Instructions for connecting to a computer

1. Computer connection

Connect the USB of the foot pedal to the position marked C in the storage box behind the steering wheel, connect the USB of the gear lever to the position marked B in the storage box behind the steering wheel, and then connect the main line of the thick USB cable of the steering wheel to the USB port of the computer; After the steering wheel recognizes the computer, connect the USB thin cable to another USB port of the computer; note that the USB thick cable must be connected first and then connect the USB thin cable; The USB thin cable is the power supply line of the steering wheel

speaker, which can be connected to a power bank or a DC5V power supply. After the connection is successful, the green indicator light of the steering wheel will be on. If you use the earphone function, please insert the earphone at the position marked with the earphone behind the steering wheel. (Earphones are not provided at the factory, you need to purchase national standard earphones by yourself)

If the game does not support the H gear lever, please use the left and right trigger paddles as an automatic gear lever.



2. Set the steering wheel speaker on the PC platform

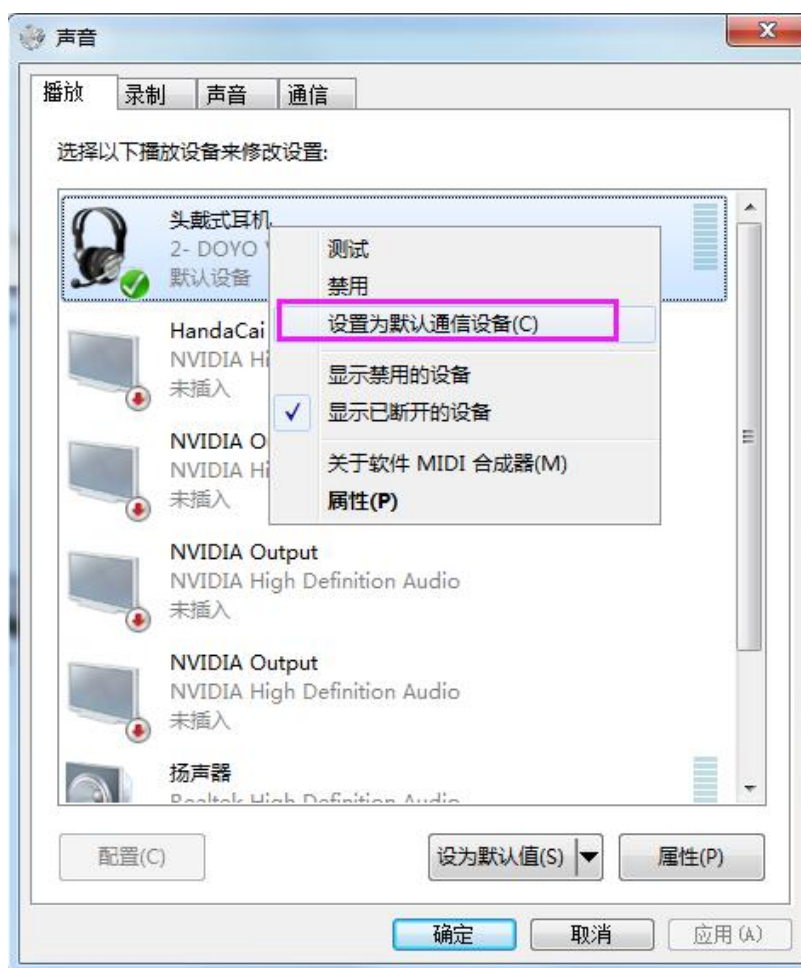
Turn on the volume switch of the speaker, and there will be two device icons in the "Devices and Printers" in the figure below, the No. 1 icon is the steering wheel controller icon, and the No. 2 icon is the steering wheel speaker device icon.



Set the steering wheel speaker device, point the mouse to the speaker device and right-click to open the sound settings.

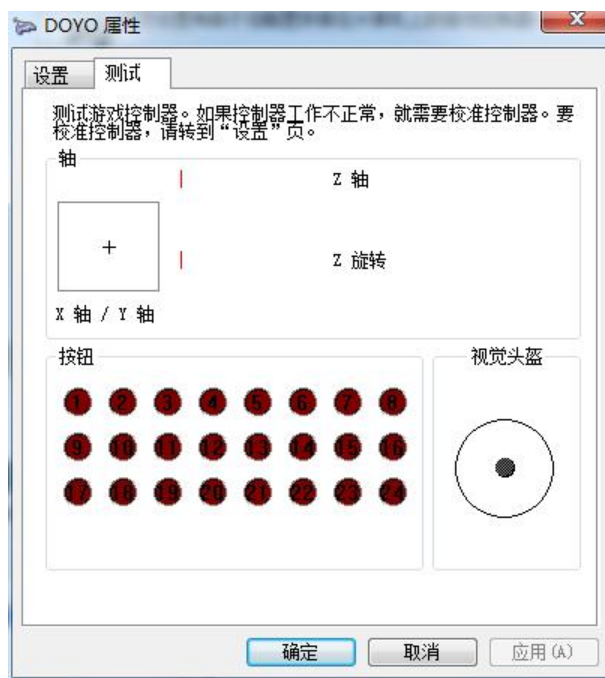


Change the headphone to the default communication device, set it up and click OK below.



3. Driver installation

Before the driver is installed, the display interface of the game controller after connecting the steering wheel is as follows.



First go to this link address to download the driver:

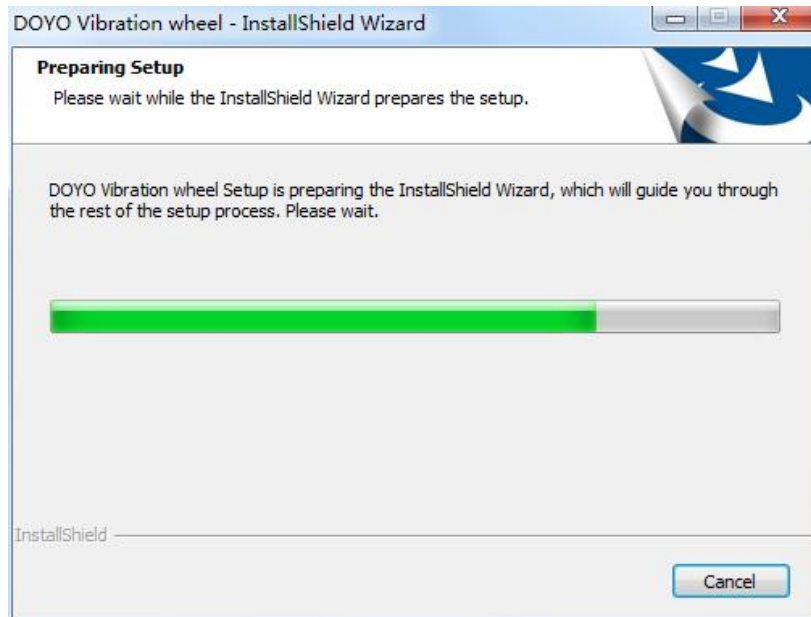
<https://cdn.shopify.com/s/files/1/0275/6811/1700/files/G30-Driver.rar?v=1656033331>



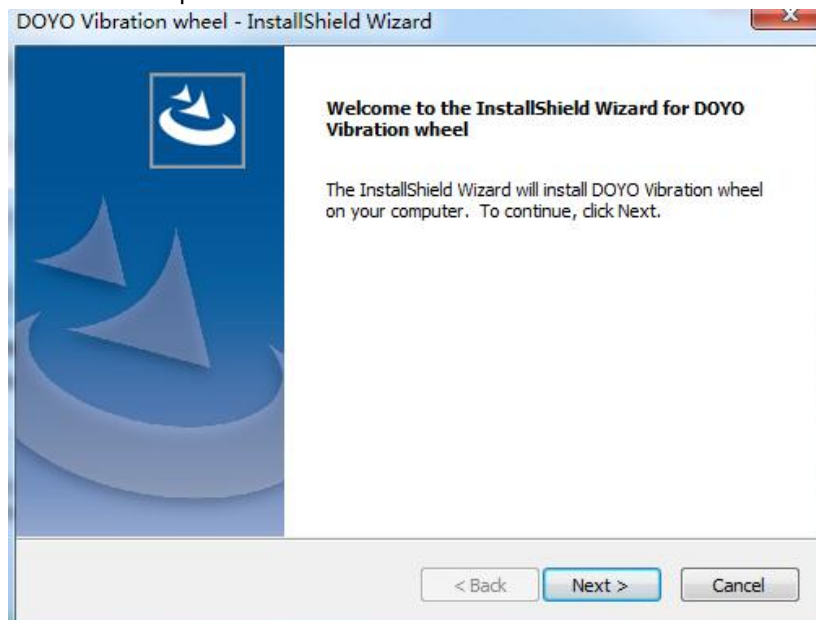
After downloading the driver, decompress the compressed package and there are two drivers in it. "DOYO Vibration wheel" is the driver in Directinput mode, and "xbox360_64Eng" is the driver in Xinput mode. Let's install the driver of "DOYO Vibration wheel" first. (It is recommended to close the anti-virus software before installing the driver to avoid killing the driver by mistake)

After downloading the driver, decompress the compressed package and there are two drivers in it. "DOYO Vibration wheel" is the driver in Directinput mode, and "xbox360_64Eng" is the driver in Xinput mode. Let's install the driver of "DOYO Vibration wheel" first. (It is recommended to close the anti-virus software before installing the driver to avoid killing the driver by mistake)

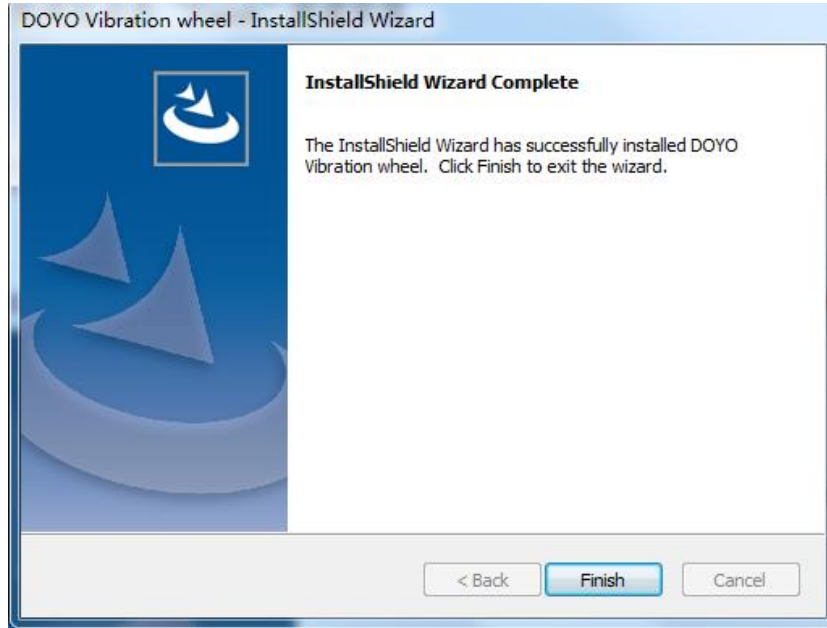
Double-click the left mouse button "DOYO Vibration wheel" to install the driver.



Click "Next" to proceed.

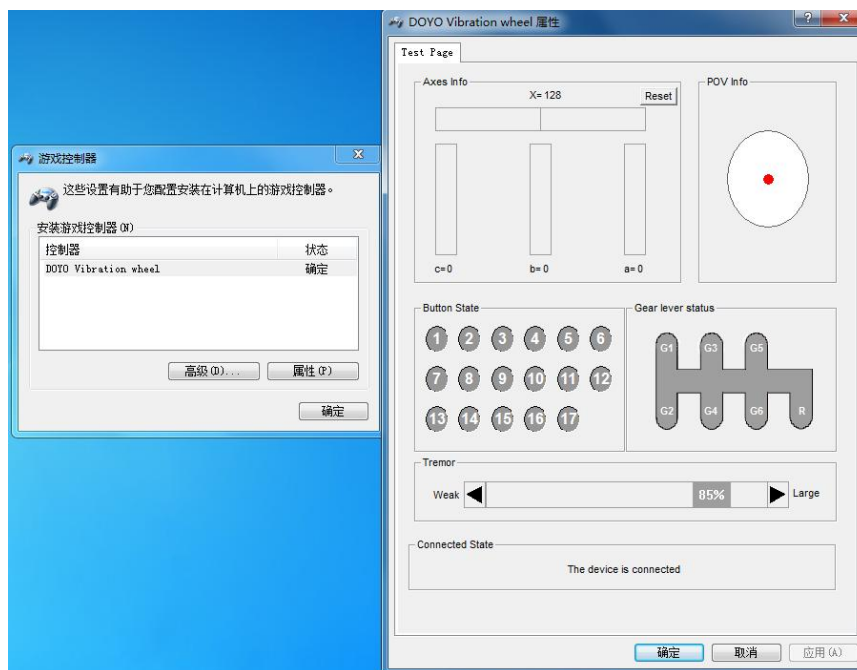


After the driver is automatically installed, click "Finish" to complete the installation.



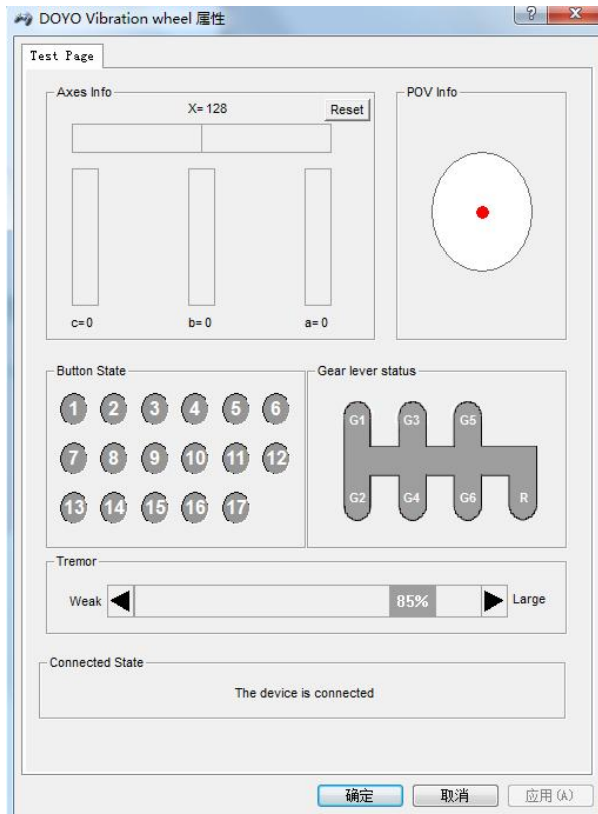
4. Function check

After the driver is successfully installed, the game controller interface is as follows, the name of the controller is "DOYO Vibration Wheel"



Steering wheel function test

Press any function key to light up, and it will go out after letting go. The H gear lever corresponds to the G1-G6 key, and R is the reverse key of the gear lever. If you need to set the "Replace" or "Angle" function, please refer to the operation method of the special function introduction above. The X-axis in the direction of rotation changes from X=128 to the maximum; step on the pedal to refuel, corresponding to a=0 to 255, and the motor vibrates. Stepping on the pedal brake corresponds to b=0 to 255, and the motor vibrates. Pedal clutch corresponds to c=0 to 255. You can set the intensity of the motor vibration in the Tremor's column.



5. Install the Xinput mode driver

You can press and hold the PS button for about 3 seconds to switch the steering wheel to Xinput mode, the green indicator light is on, double-click the driver package "xbox360_64Eng" with the left mouse button to install it, press "√" in the red box and click "Next" to install the driver by itself.





After the driver installation is complete, click "Finish" to complete.



Both drivers have been installed, and we can choose Directinput and Xinput modes according to different games.

● 键对应表

方向盘本机	XBOX-360	XBOX-one	XBOX-Series X	SWITCH	PS3	PS4/PS5	PC-Xinput	PC-Dinput
A	A	A	A	A	※	※	A	3
B	B	B	B	B	○	○	B	2
X	X	X	X	X	□	□	X	4
Y	Y	Y	Y	Y	△	△	Y	1
L3	L3	L3	L3	L3	L3	L3	LS	11
R3	R3	R3	R3	R3	R3	R3	RS	12
LT	LT	LT	LT	ZL	L2	L2	LT	7
RT	RT	RT	RT	ZR	R2	R2	RT	8
BACK	BACK	BACK		—	SELECT	SHARE	BACK	9
START	START	START		+	START	OPTIONS	START	10
Agile	Agile	Agile	Agile	Agile	Agile	Agile	Agile	Agile

PS	X big button	X big button	X big button	HOME	PS	PS	MODE	MO
Replace	Replace	Replace	Replace	Replace	Replace	Replace	Replace	Repl
Angle	Angle	Angle	Angle	Angle	Angle	Angle	Angle	Ang
Pedal refueling	RT	RT	RT	ZR	R2	R2	RT	a=
Pedal brake	LT	LT	LT	ZL	L2	L2	LT	b=

Pedal clutch	RX axis to the right	RX axis to the right	RX axis to the right	RX axis to the right	RX axis to the right	RX axis to the right	X rotation axis	LY axis
Left trigger	LB	LB	LB	L	L1	L1	LB	5
Right trigger	RB	RB	RB	R	R1	R1	RB	6
Change direction	LX axis	LX axis	LX axis	LX	LX	LX	LX	X=
direction keys	direction keys	direction keys	direction keys	direction keys	direction keys	direction keys	direction keys	direction keys
volume potentiometer	not support	volume potentiometer	volume potentiometer	not support	not support	volume potentiometer	volume potentiometer	volume potentiometer
high and low gear	L3	L3	L3	L3	L3	L3	L3	1
1 st gear								G
2 nd gear								G
3 rd gear	RB	RB	RB	R	R1	R1	RB	G
4 th gear	LB	LB	LB	L	L1	L1	LB	G
5 th gear								G
6 th gear								G
R								R